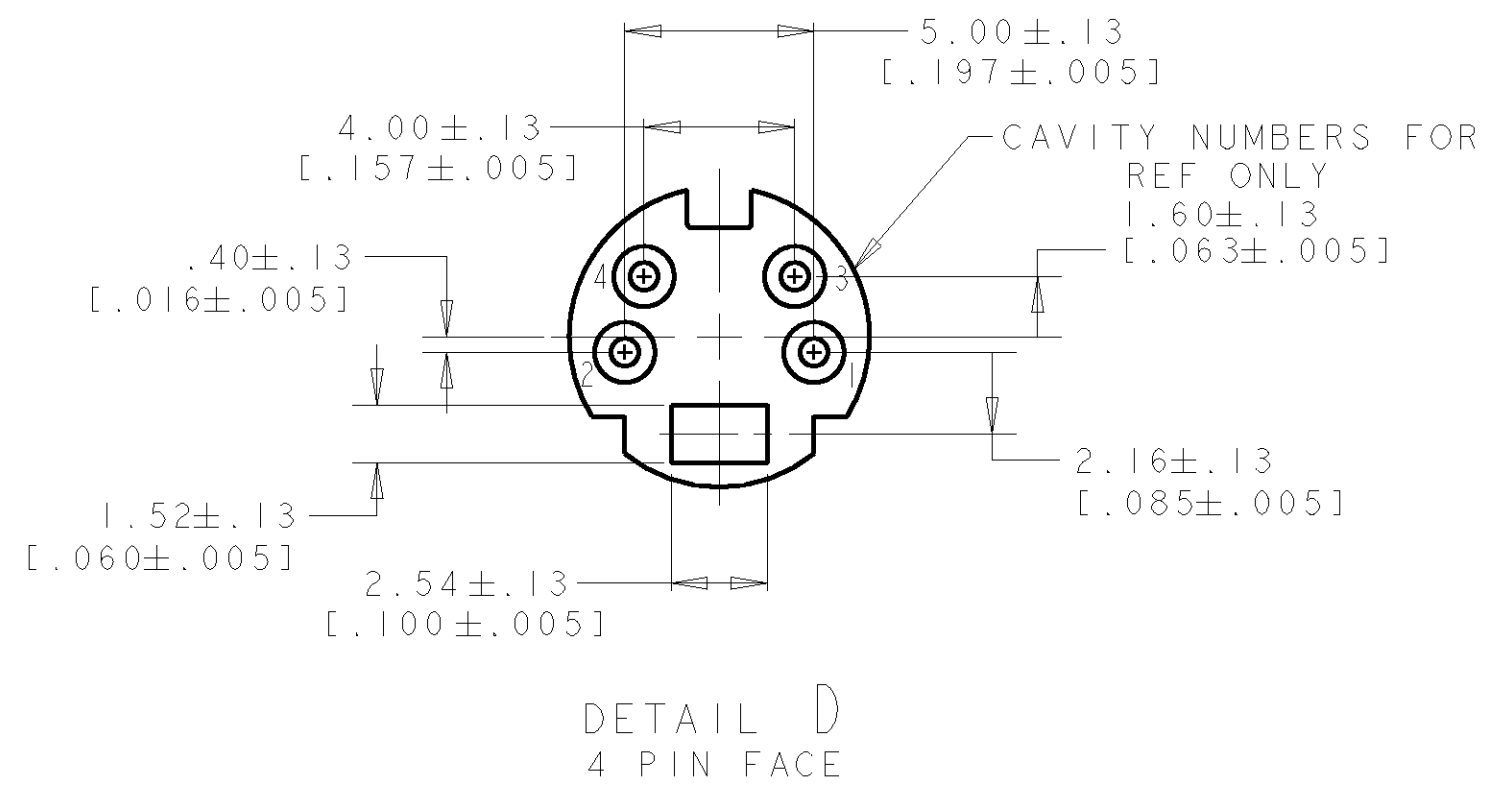
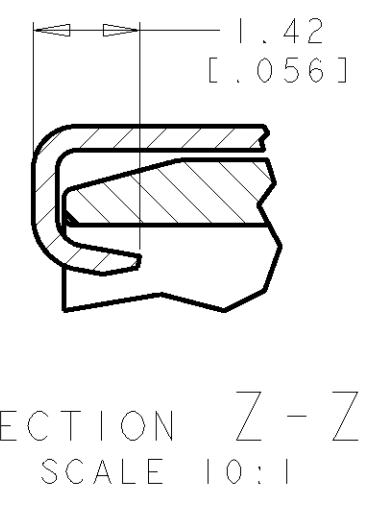
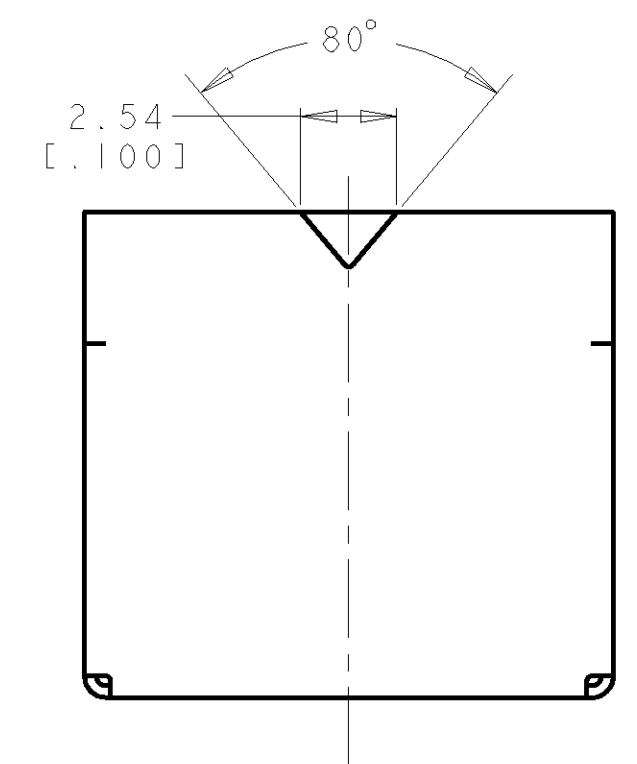
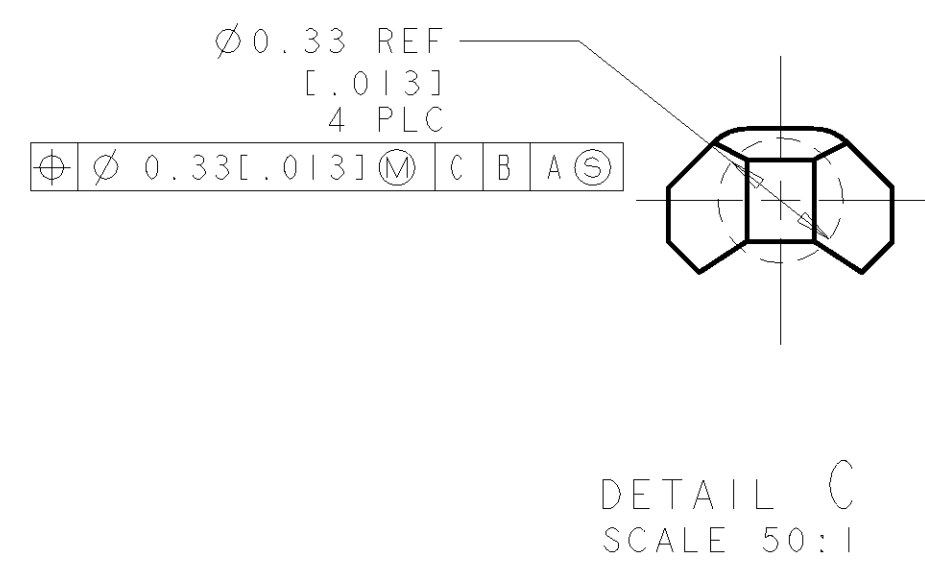
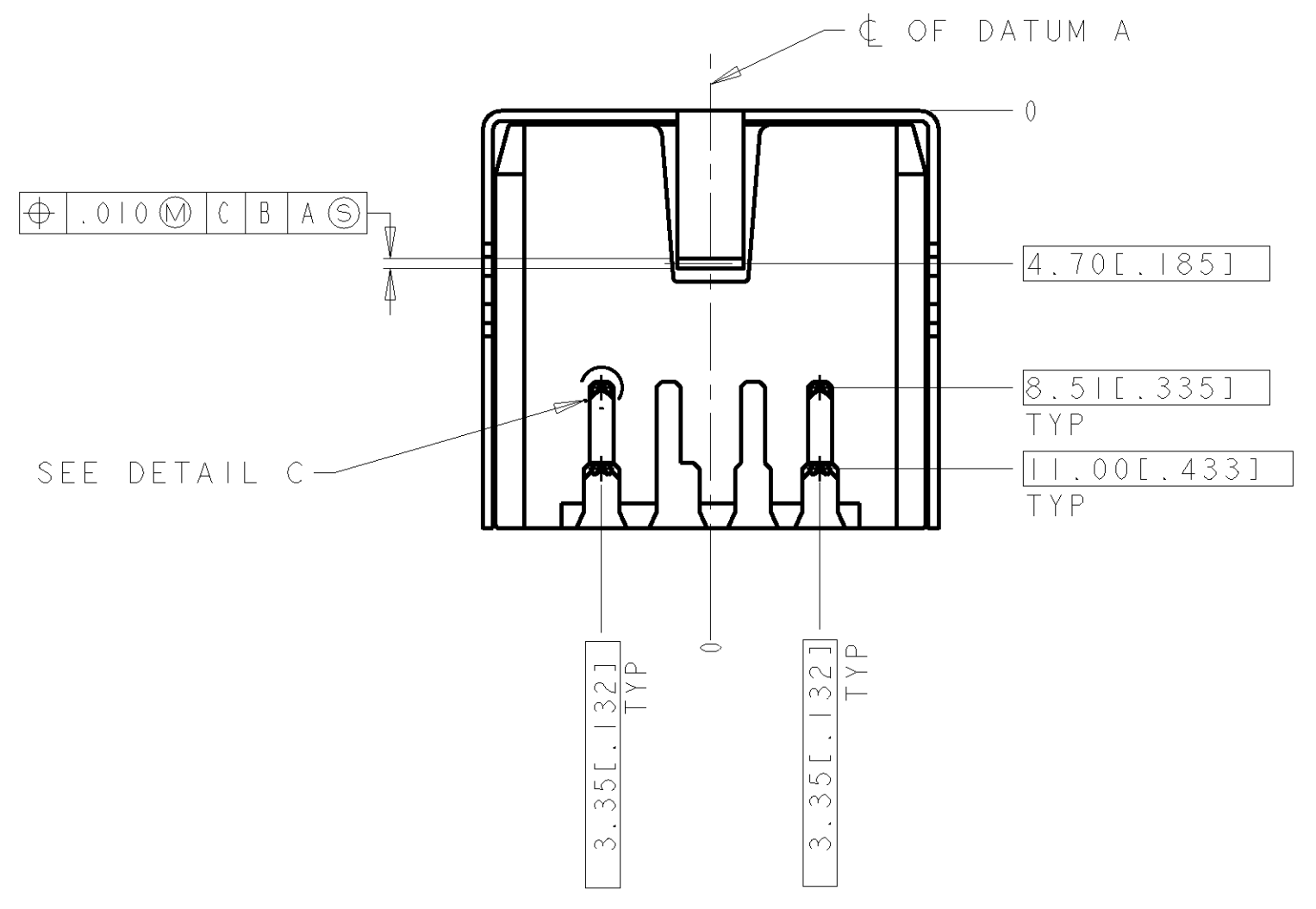
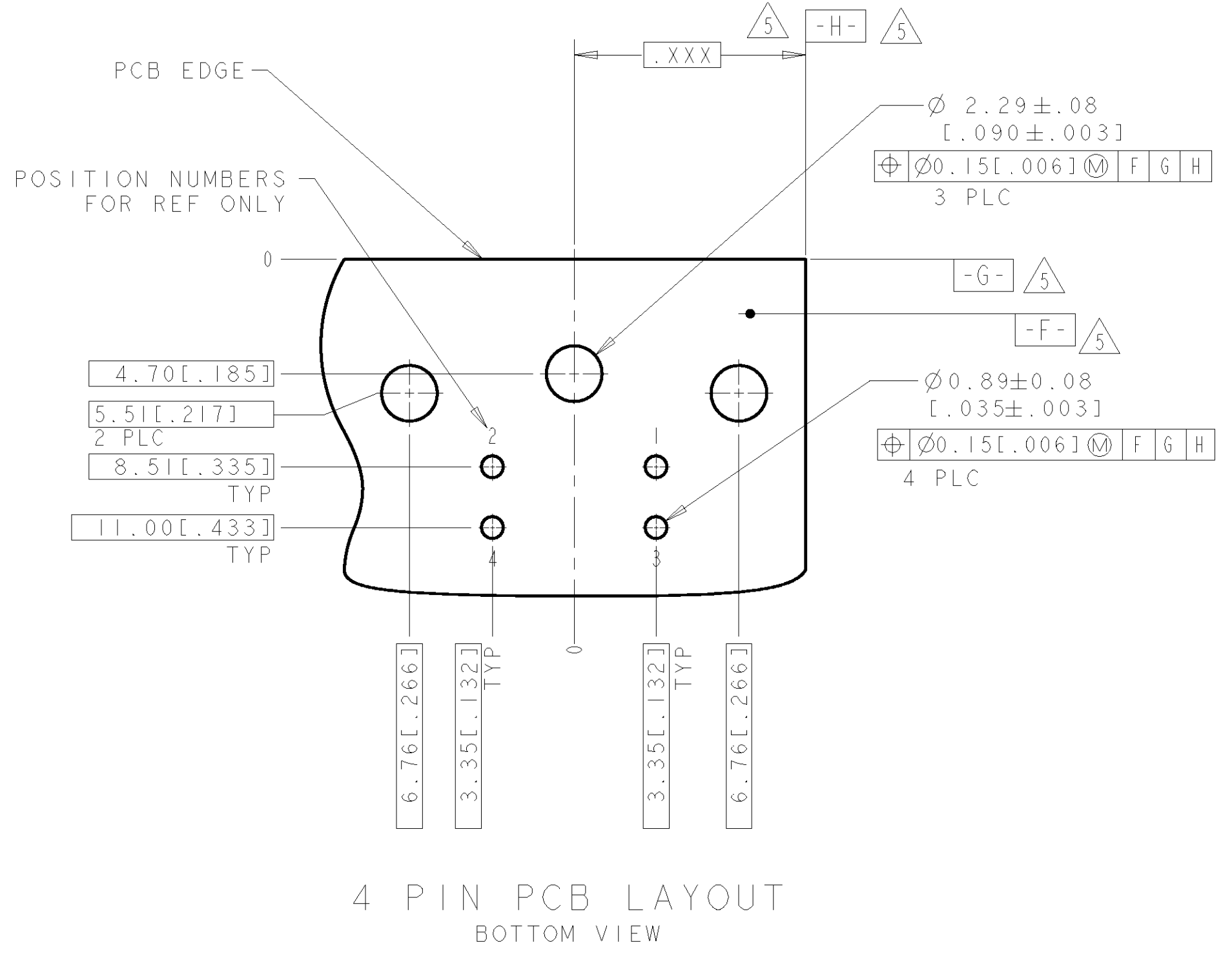
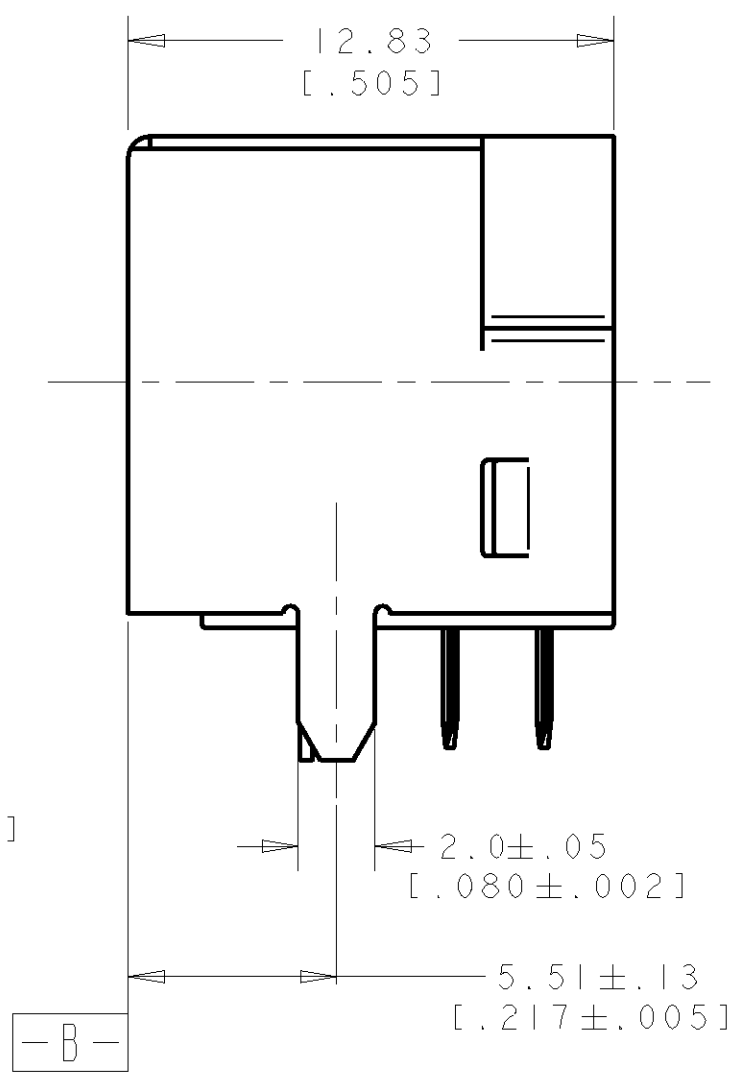
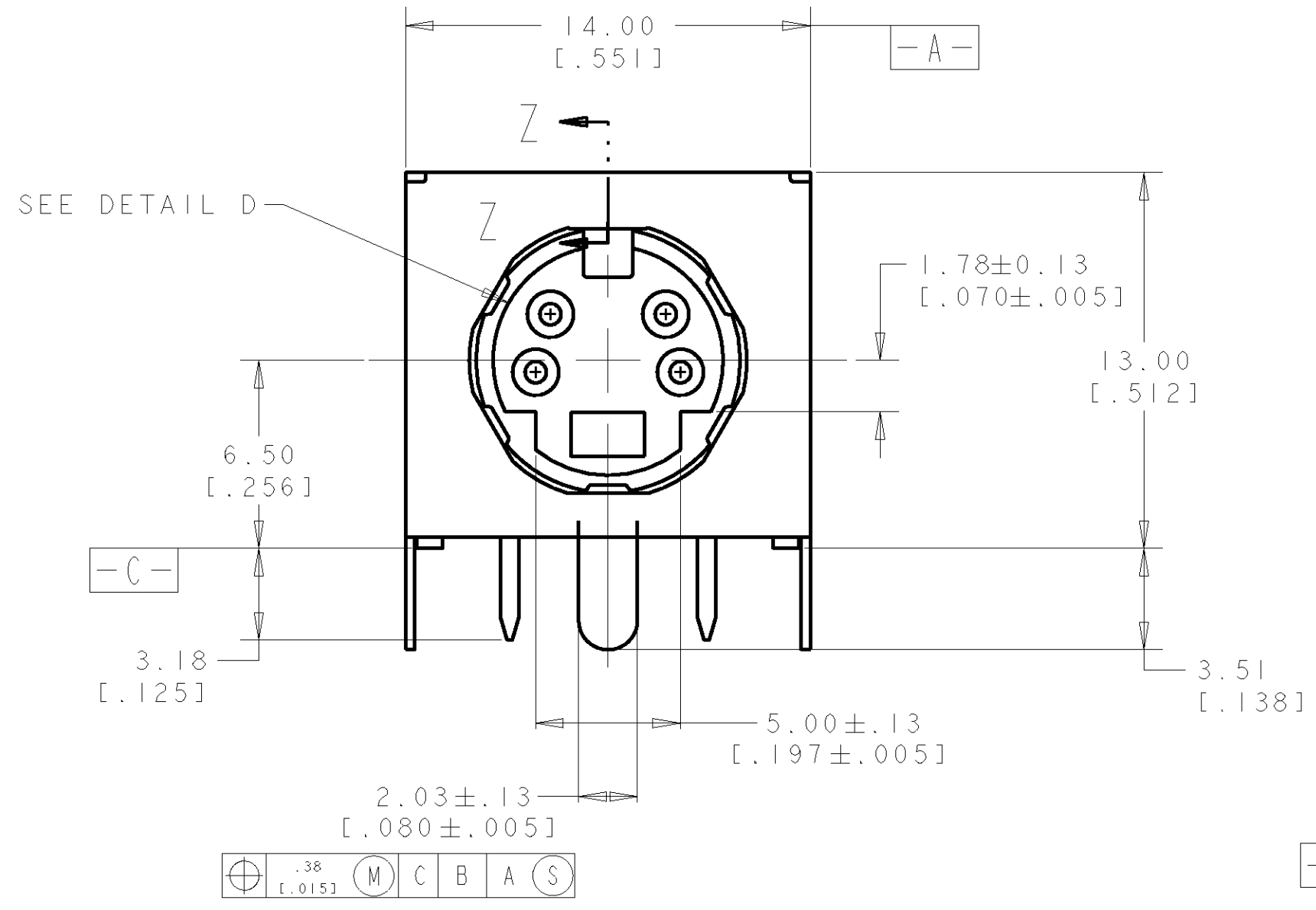


LOC	DIST	REVISIONS			
F	LTR	DESCRIPTION	DATE	DNM	APRD
0		NPR FPD0-0340-04	4JAN04	LWY	LSF



- 1 RECEPTACLE CONTACTS: COPPER ALLOY.  
RECEPTACLE SHIELD: COPPER ALLOY.  
HOUSING: THERMOPLASTIC, BLACK, 94V-0 RATED.
- 2 PLATING:  
RECEPTACLE CONTACTS - GOLD PLATED .00076 MIN [.000030 MIN] THICK ON MATING END, MATTE-TIN PLATED .0030 MIN [.000120 MIN] THICK ON SOLDER TAIL ALL OVER .0013 MIN [.000050 MIN] THICK NICKEL.
- 3 PLATING:  
SHIELD: PRE-TIN PLATED
- 4 RECEPTACLE ASSEMBLY MATES WITH 4 PIN 9.00±.10 [.354±.004] DIAMETER PLUG.
- 5 DATUMS AND BASIC DIMENSION SUPPLIED BY CUSTOMER.



<small>THIS DRAWING IS A CONTROLLED DOCUMENT FOR AMP INCORPORATED. ALL DIMENSIONS ARE IN MILLIMETERS UNLESS OTHERWISE SPECIFIED. FOR THE LATEST REVISIONS, CONSULT THE DRAWING REVISIONS OR CONTACT THE DRAWING ENGINEER.</small>		DWN: WYLLIE CHK: SF LEONG APD: SF LEONG	04JAN2005 NAME: RECEPTACLE ASSY, 4 POS, RIGHT ANGLE, MINIATURE CIRCULAR DIN PRODUCT SPEC: 108-1225 APPLICATION SPEC: - SIZE: A1 CAGE CODE: 00779 DRAWING NO: 5749264 SCALE: 5:1
DIMENSIONS: mm [INCHES] TOLERANCES UNLESS OTHERWISE SPECIFIED: 0 PLC ± 1 PLC ± 2 PLC ± 3 PLC ±0.38 [.015] 4 PLC ± 5 PLC ± ANGLES: 40° 30'	MATERIAL: FINISH:	Tyco Electronics Singapore Pte. Ltd.	CUSTOMER DRAWING SHEET 1 OF 1 REV 0

单击下面可查看定价，库存，交付和生命周期等信息

[>>TE Connectivity\(泰科\)](#)