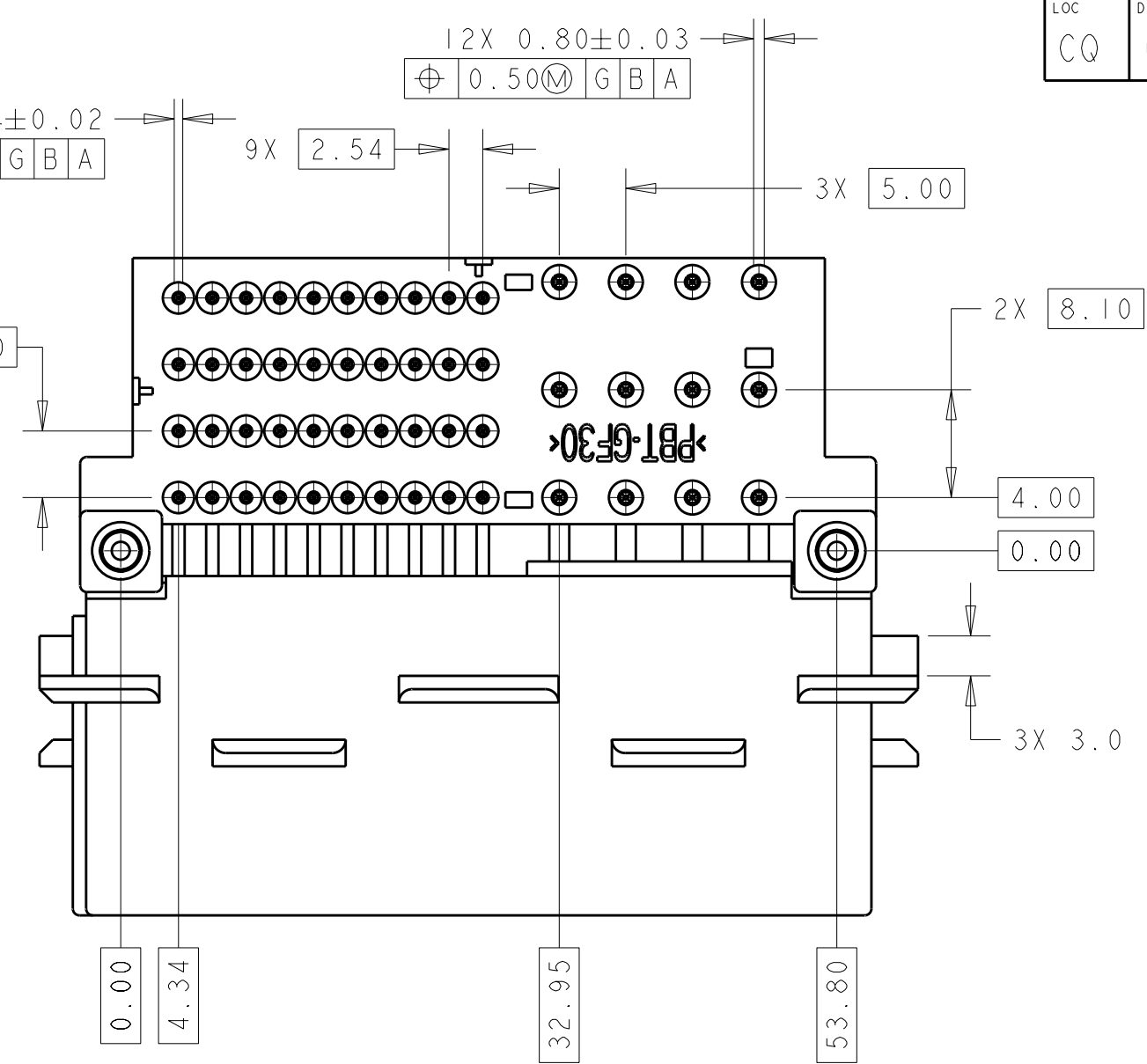
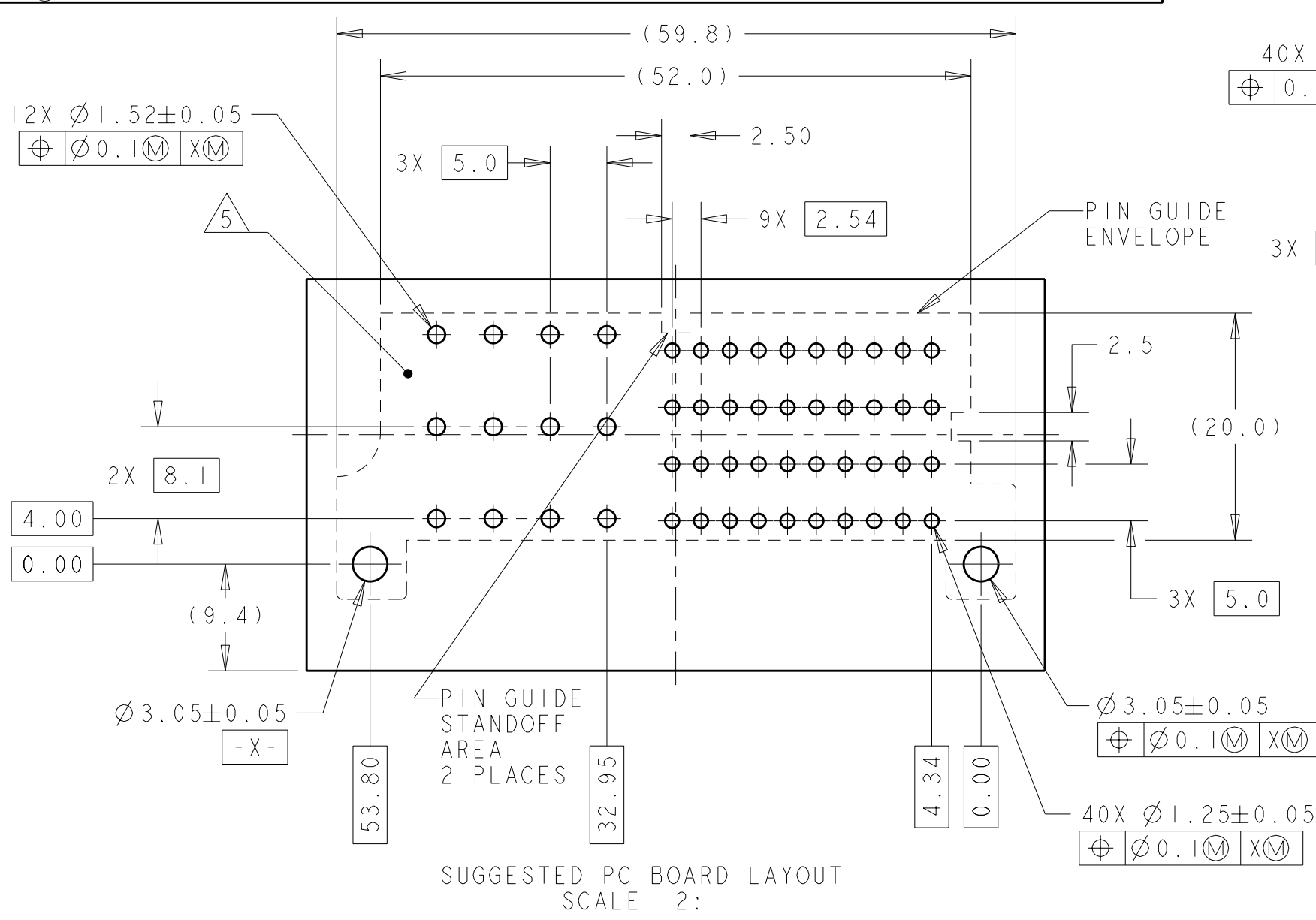
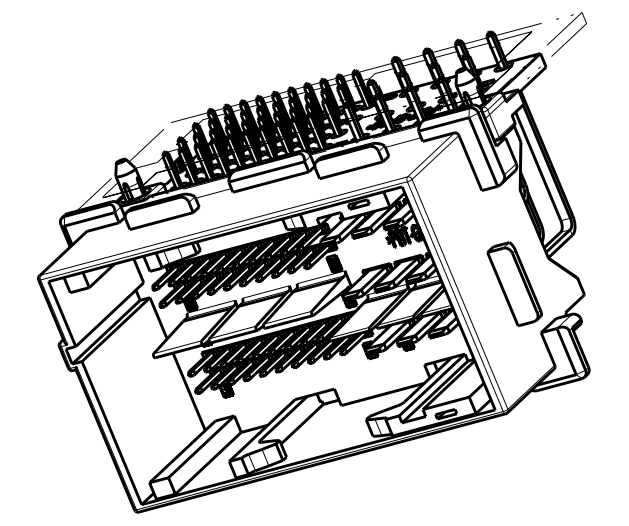
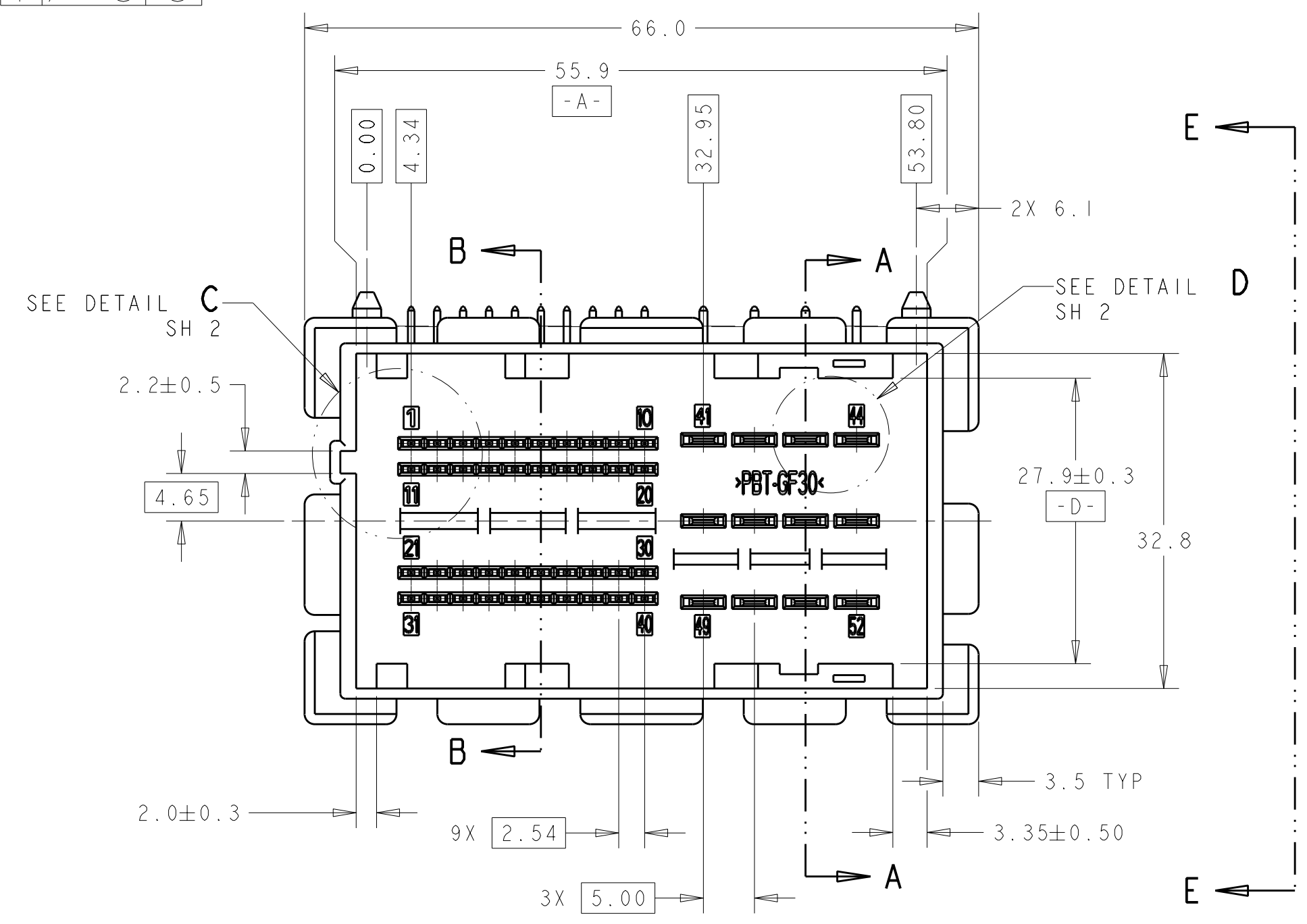
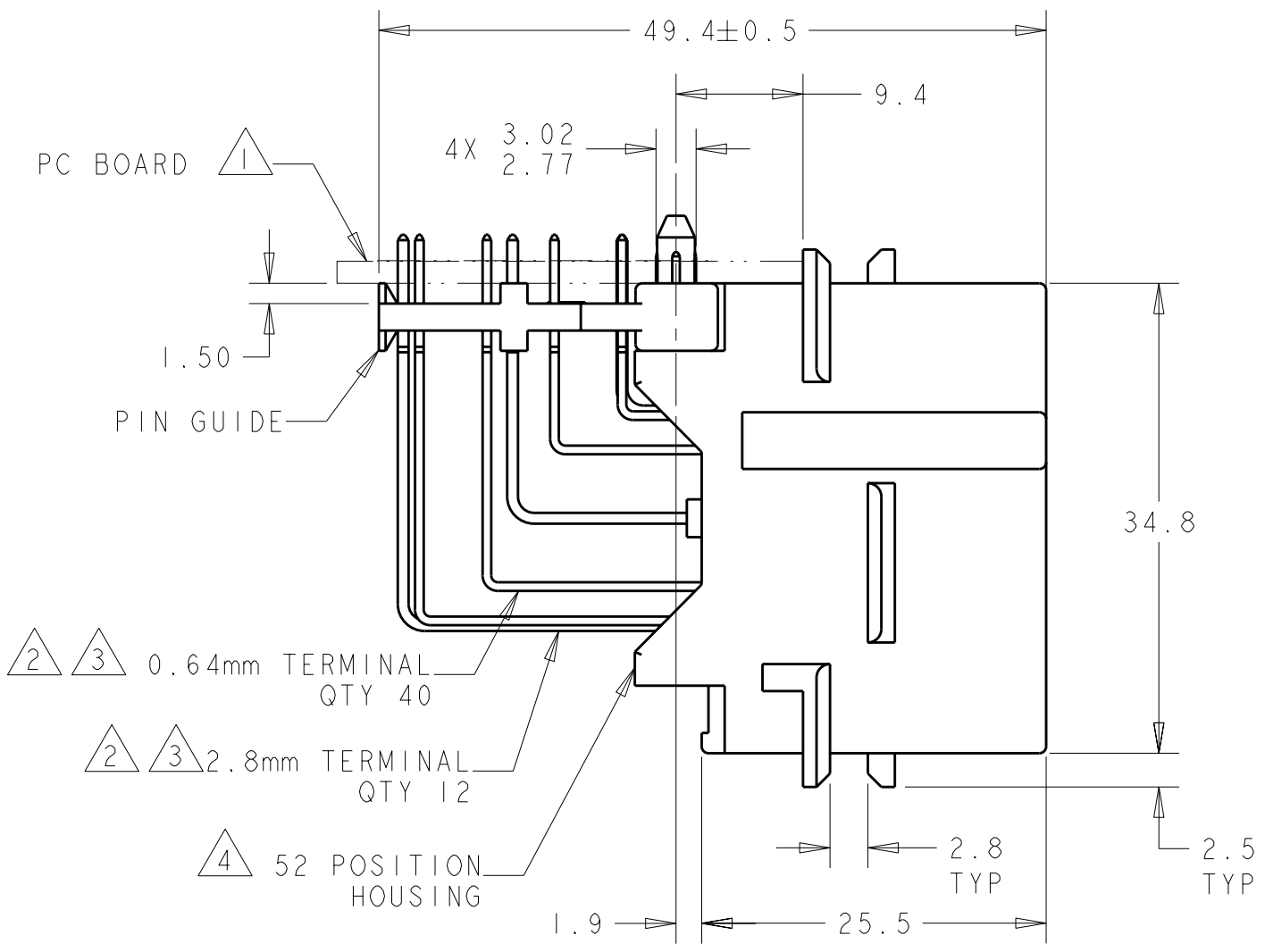


THIS DRAWING IS UNPUBLISHED. RELEASED FOR PUBLICATION 20
 © COPYRIGHT 20 BY - ALL RIGHTS RESERVED.

REVISIONS					
P	LTR	DESCRIPTION	DATE	DWN	APVD
E		REVISED PER ECO-11-016864	22AUG2011	DD	RL



- 1 PC BOARD SUPPLIED BY CUSTOMER.
- 2 MATERIAL: BRASS, TEMPER H04.
- 3 FINISH: MATING END - 0.0008-0.0016 THICK MATTE TIN PER AMP SPEC 112-65-1. SOLDER TAIL - 0.0038 - 0.0064 THICK MATTE TIN PER AMP SPEC 112-65-1 ALL OVER 0.0020 MINIMUM NICKEL PER AMP SPEC 112-25-2.
- 4 MATERIAL: 30% GLASS FILLED BASF PBT.
- 5 CLEARANCE BETWEEN PC BOARD AND PIN GUIDE IS 1.75mm IN THIS AREA.
- 6. MINIMUM PIN RETENTION REQUIREMENT IN BOTH DIRECTIONS SHALL BE 3 TIMES THE MAXIMUM TERMINAL SEPARATION FORCE AFTER BUYER'S SOLDERING PROCESS PER DVP&R.
- 7. AS STITCHED, MINIMUM PIN RETENTION IN BOTH DIRECTIONS SHALL BE 40N.



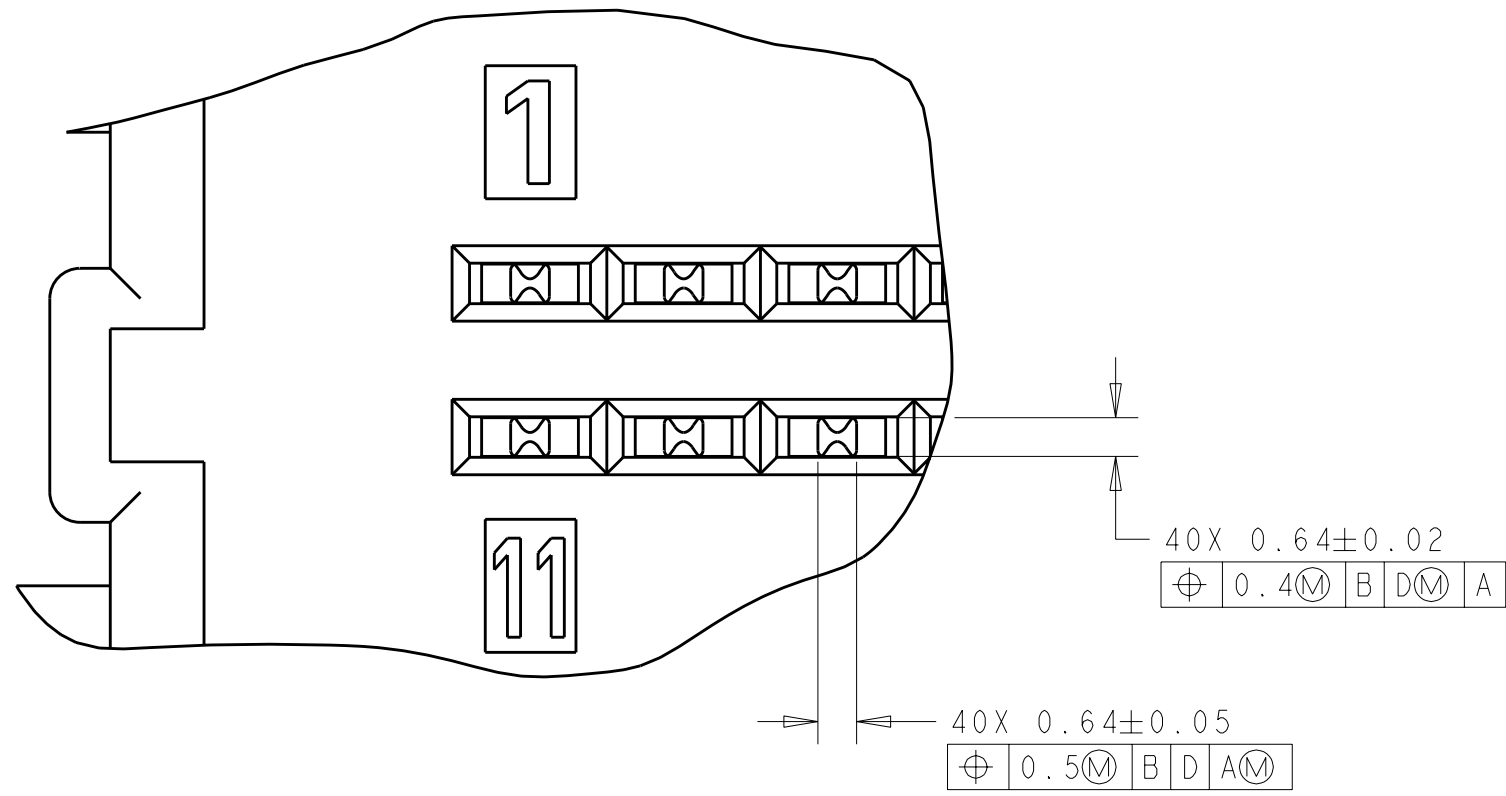
SCALE 1:1

1438527-1
PART NUMBER

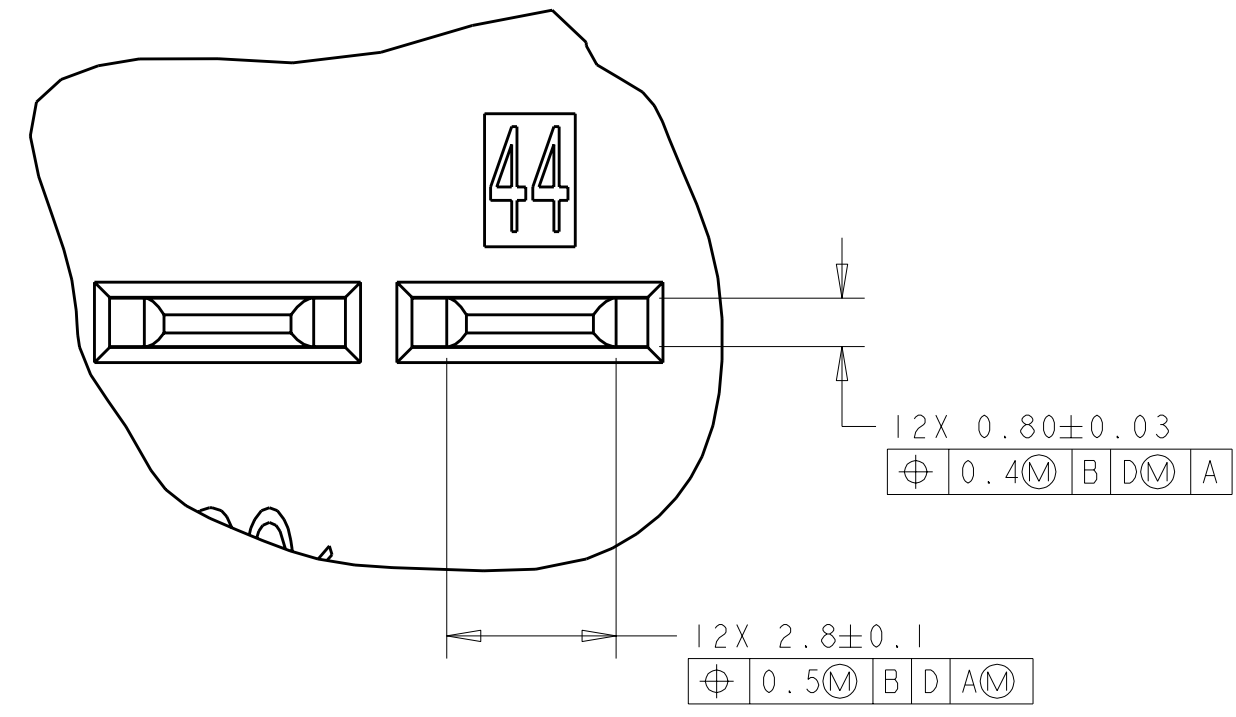
THIS DRAWING IS A CONTROLLED DOCUMENT.		DWN R. VESTAL 18MAR2004	TE Connectivity	
DIMENSIONS: mm		CHK A. EBRAHEEM 18MAR2004		
TOLERANCES UNLESS OTHERWISE SPECIFIED:		APVD A. EBRAHEEM 18MAR2004	NAME: HEADER ASSEMBLY, 52 POSITION, 0.64mm AND 2.8mm	
0 PLC ±0.5		PRODUCT SPEC	SIZE CAGE CODE DRAWING NO RESTRICTED TO	
1 PLC ±0.3		APPLICATION SPEC	A200779C-1438527	
2 PLC ±0.10		WEIGHT	SCALE 2:1 SHEET 1 OF 2 REV E	
3 PLC ±		CUSTOMER DRAWING		
4 PLC ±				
ANGLES ±				
FINISH ±				

THIS DRAWING IS UNPUBLISHED. RELEASED FOR PUBLICATION 20
 © COPYRIGHT 20 BY - ALL RIGHTS RESERVED.

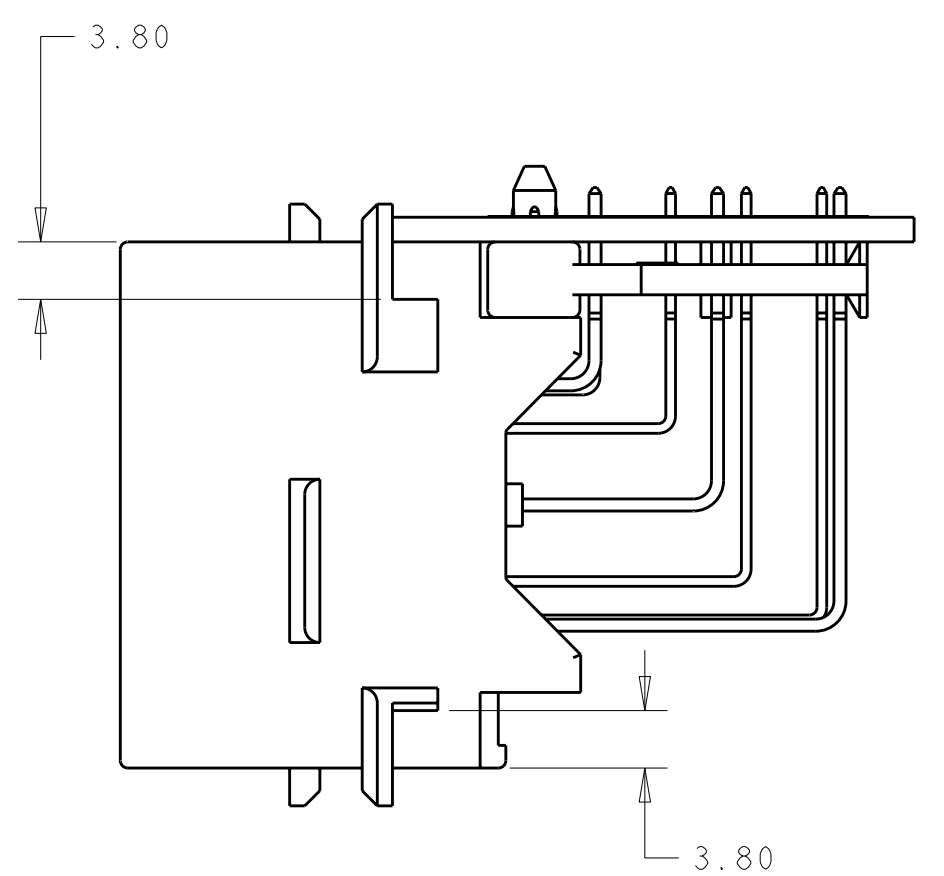
LOC	DIST	REVISIONS			
P	LTR	DESCRIPTION	DATE	DWN	APVD
CQ	00	-	-	-	-
		SEE SHEET 1			



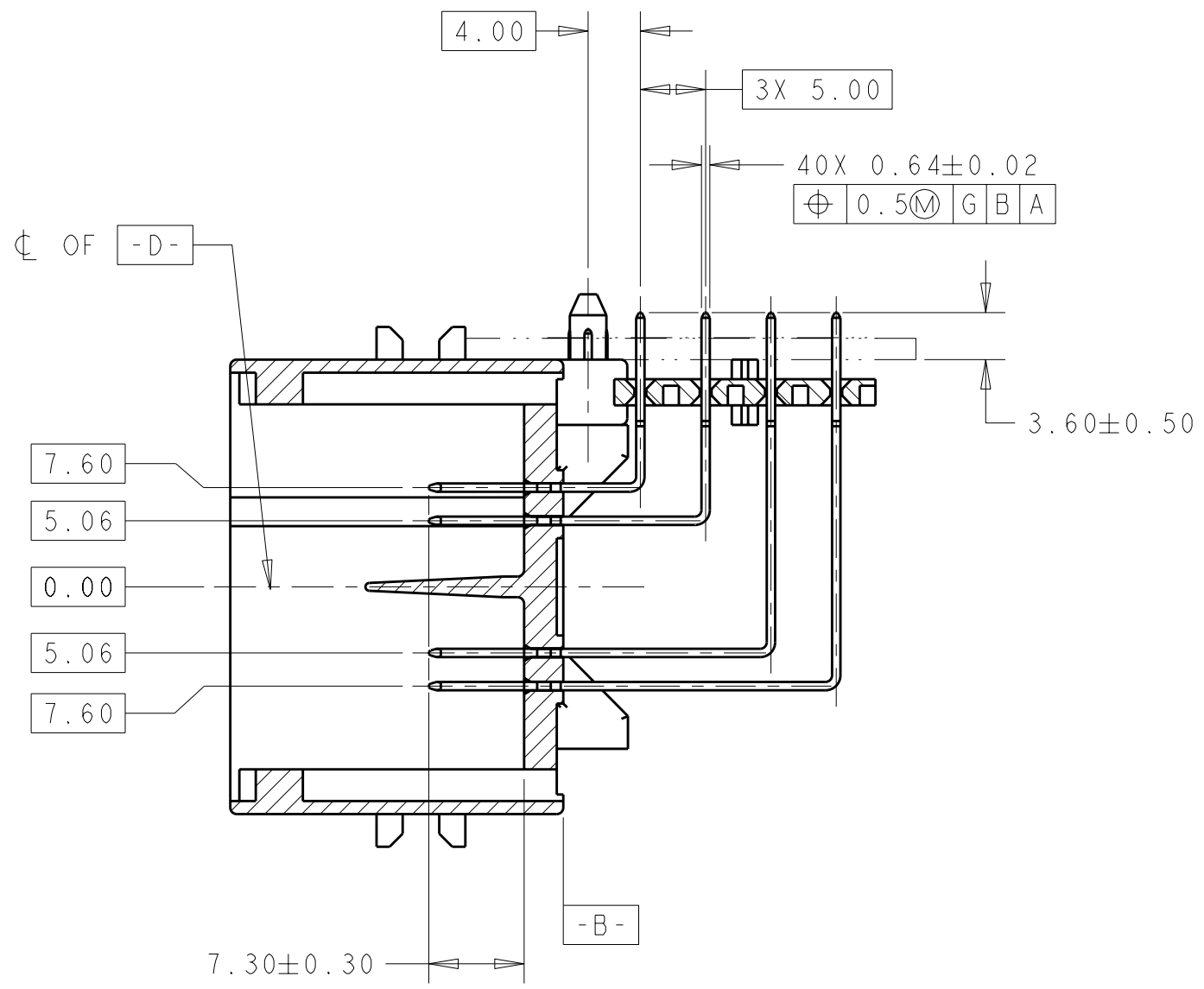
DETAIL C
SCALE 8:1



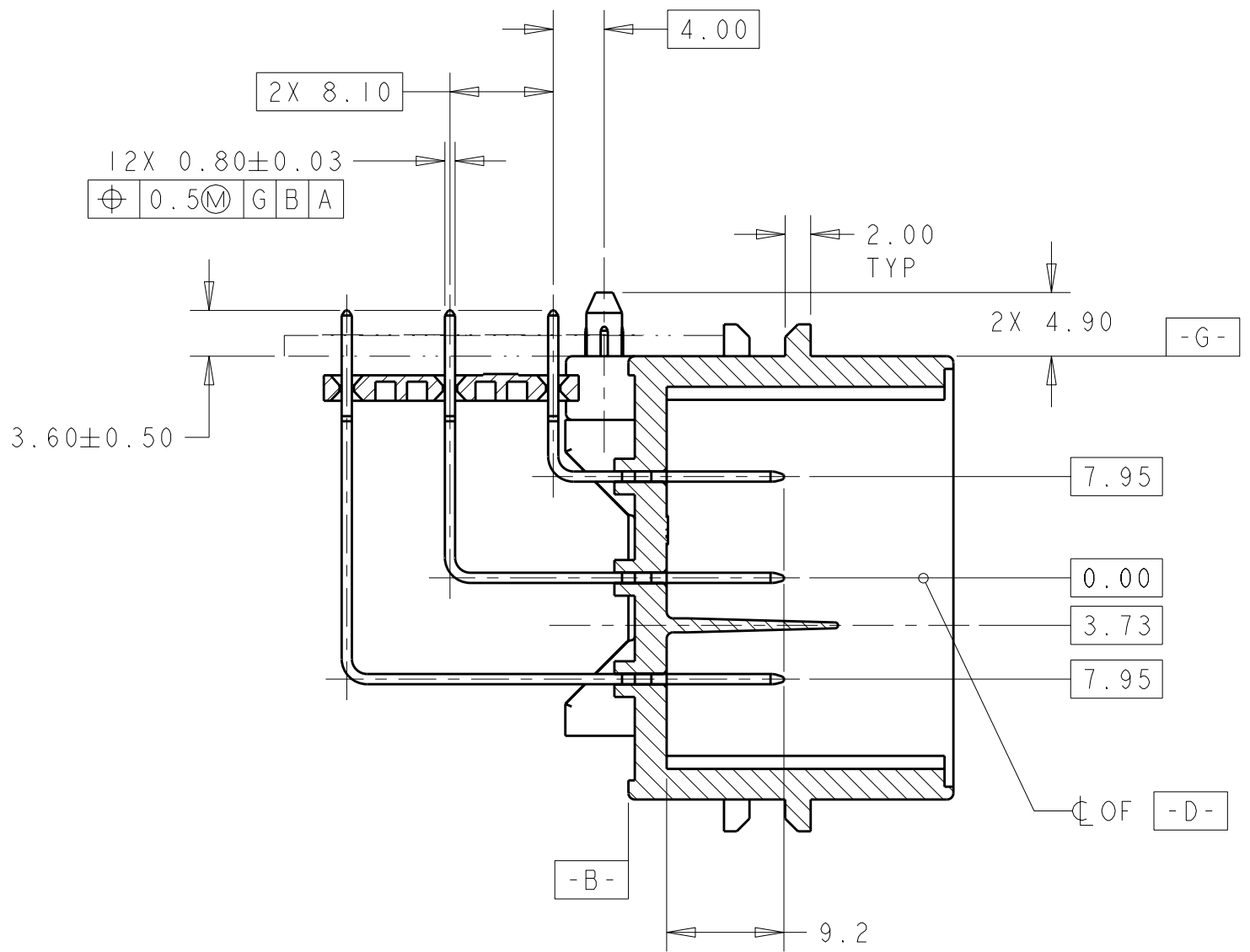
DETAIL D
SCALE 8:1



VIEW E-E



SECTION B-B
THROUGH 0.64mm BLADES



SECTION A-A
THROUGH 2.8mm BLADES

THIS DRAWING IS A CONTROLLED DOCUMENT.		DWN R. VESTAL 18MAR2004	TE Connectivity	
DIMENSIONS: mm		CHK A. EBRAHEEM 18MAR2004		
TOLERANCES UNLESS OTHERWISE SPECIFIED:		APVD A. EBRAHEEM 18MAR2004	NAME HEADER ASSEMBLY, 52 POSITION, 0.64mm AND 2.8mm	
0 PLC ±0.5 1 PLC ±0.3 2 PLC ±0.10 3 PLC ± 4 PLC ± ANGLES ± FINISH ±		PRODUCT SPEC -	SIZE A200779	CAGE CODE C-1438527
MATERIAL		APPLICATION SPEC -	WEIGHT -	RESTRICTED TO -
		CUSTOMER DRAWING	SCALE 2:1	SHEET 2 OF 2

单击下面可查看定价，库存，交付和生命周期等信息

[>>TE Connectivity\(泰科\)](#)