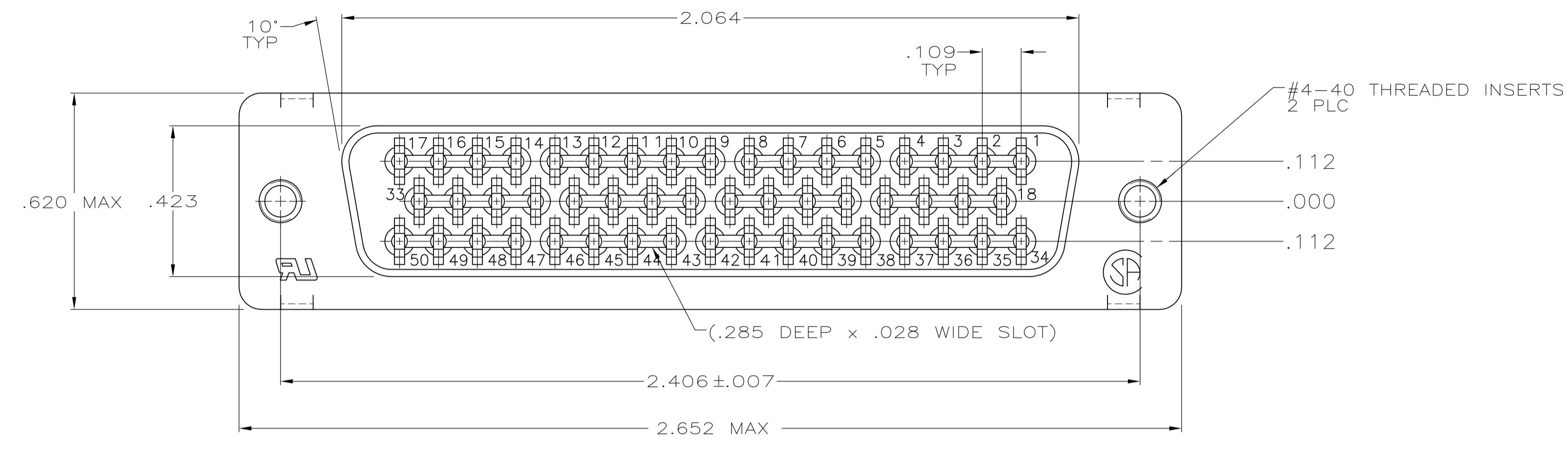
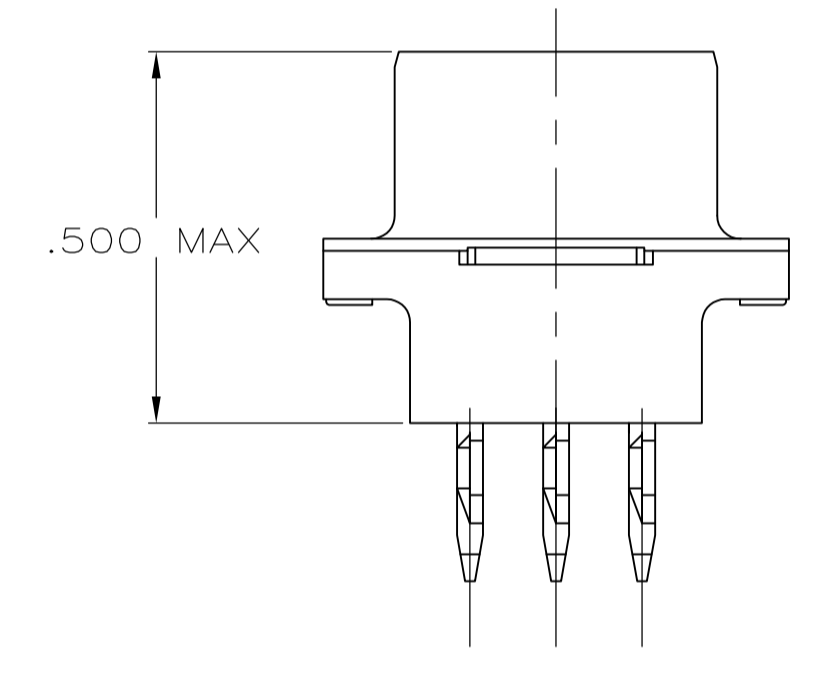
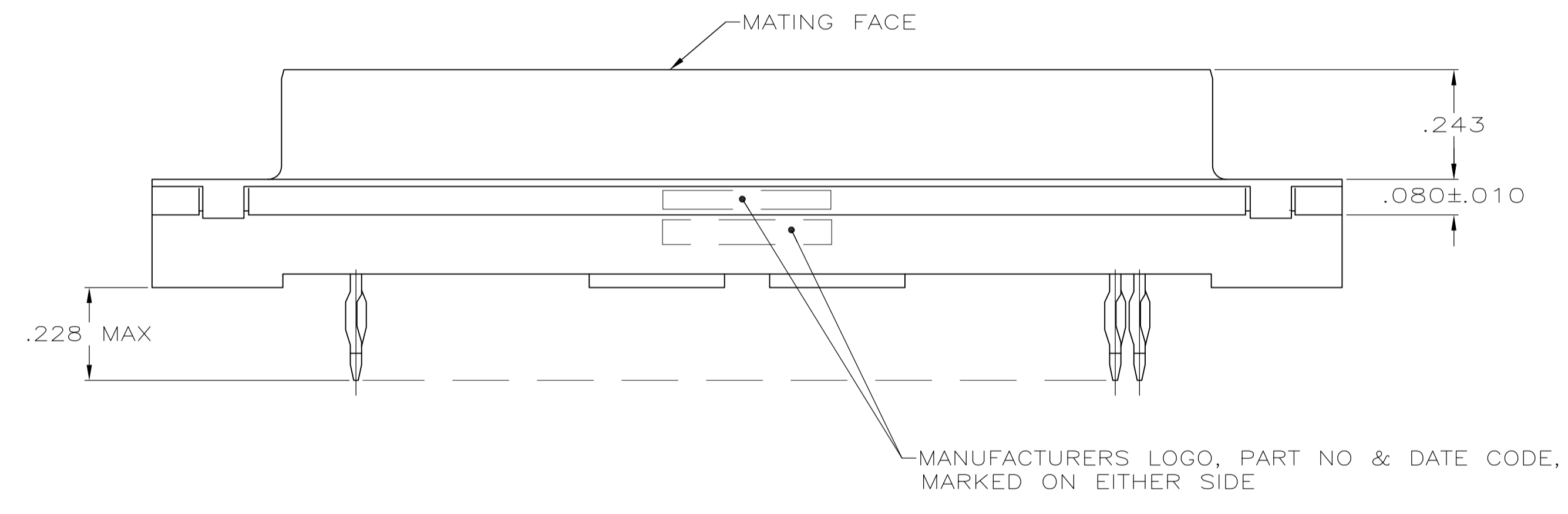


LOC		DIST		REVISIONS			
P	LTR	DESCRIPTION	DATE	DN	APVD		
C		REVISED PER ECO-12-000090	27JAN2012	CJV	SLB		



- 1 FOR USE WITH .062 MINIMUM THICK PRINTED CIRCUIT BOARD. REFER TO APPLICATION SPECIFICATION FOR PRINTED CIRCUIT BOARD LAYOUT DIMENSIONS AND FINISH RECOMMENDATIONS.
- 2 SHELL: .000200 MIN TIN OVER .000100 MIN COPPER.
- 3 CONTACTS:  
.000030 MINIMUM GOLD IN MATING AREA. .000100 MINIMUM TIN ON COMPLIANT PIN. ALL OVER .000050 MINIMUM NICKEL.  
OR  
GOLD FLASH OVER PALLADIUM NICKEL. .000030 MINIMUM TOTAL IN MATING AREA. .000100 MINIMUM TIN ON COMPLIANT PIN. ALL OVER .000050 MINIMUM NICKEL.
- 4 HOUSING: FLAME RETARDANT, UL 94V-0 RATED, GLASS FILLED, NYLON OR POLYESTER, COLOR: BLACK.
- 5 SHELL: CARBON STEEL.
- 6 CONTACTS: COPPER ALLOY.
- 7 INSERTS: BRASS.



5748485-2  
PART NO

**COPYRIGHT 2005  
TYCO ELECTRONICS CORP  
ALL RIGHTS RESERVED**

THIS DRAWING IS A CONTROLLED DOCUMENT.		DIN J. ALCORTA - 04-05-05		DOCK5 S. BOLASH 04-05-05		APVD M. WALMSLEY 04-05-05		NAME RCPT ASSY, SIZE 5, 50 POSN, METAL SHELL W/ #4-40 INSERTS & ACTION PIN CONT, MDM PROFILE, AMPLIMITE HD-20	
DIMENSIONS: INCHES		TOLERANCES UNLESS OTHERWISE SPECIFIED:		PRODUCT SPEC 108-40014		APPLICATION SPEC 114-40026		RESTRICTED TO	
0 PLC ± -		1 PLC ± -		2 PLC ± -		3 PLC ± .005		SIZE A1	
4 PLC ± -		ANGLES ± °		WEIGHT -		CUSTOMER DRAWING		SCALE 4:1 SHEET 1 OF 1 REV C	

单击下面可查看定价，库存，交付和生命周期等信息

[>>TE Connectivity\(泰科\)](#)