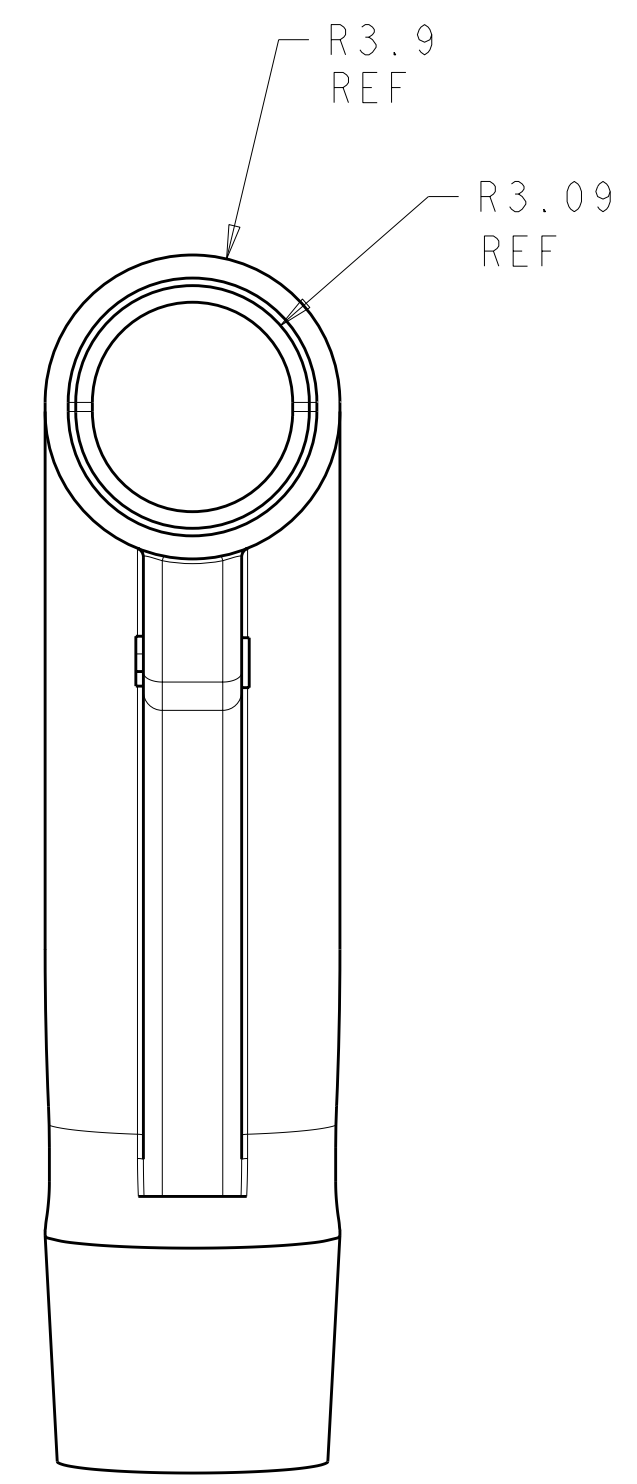
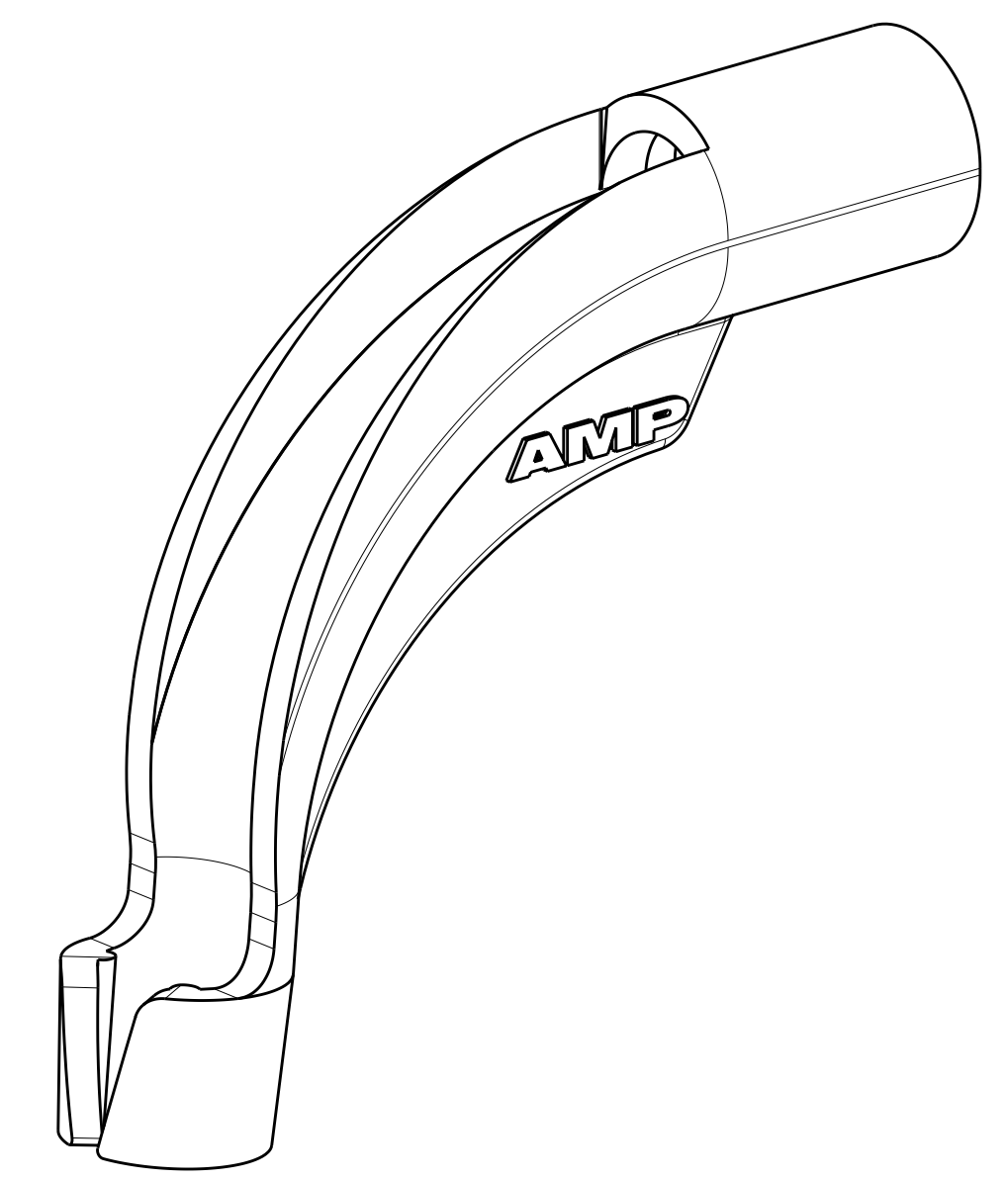
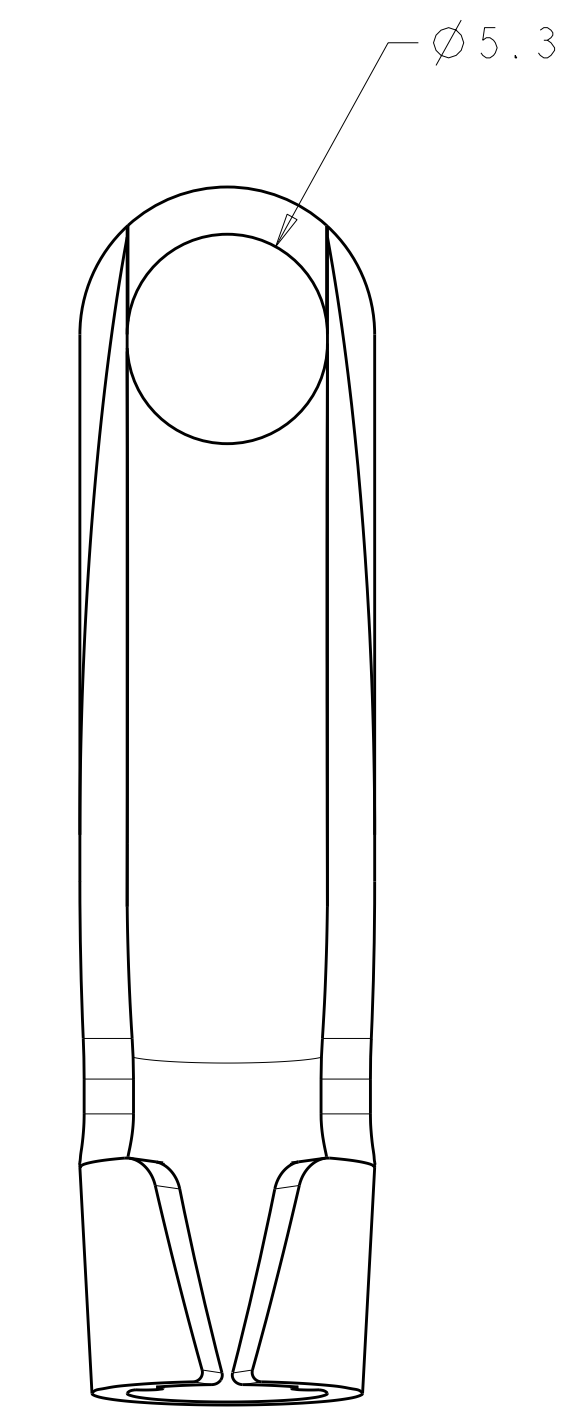
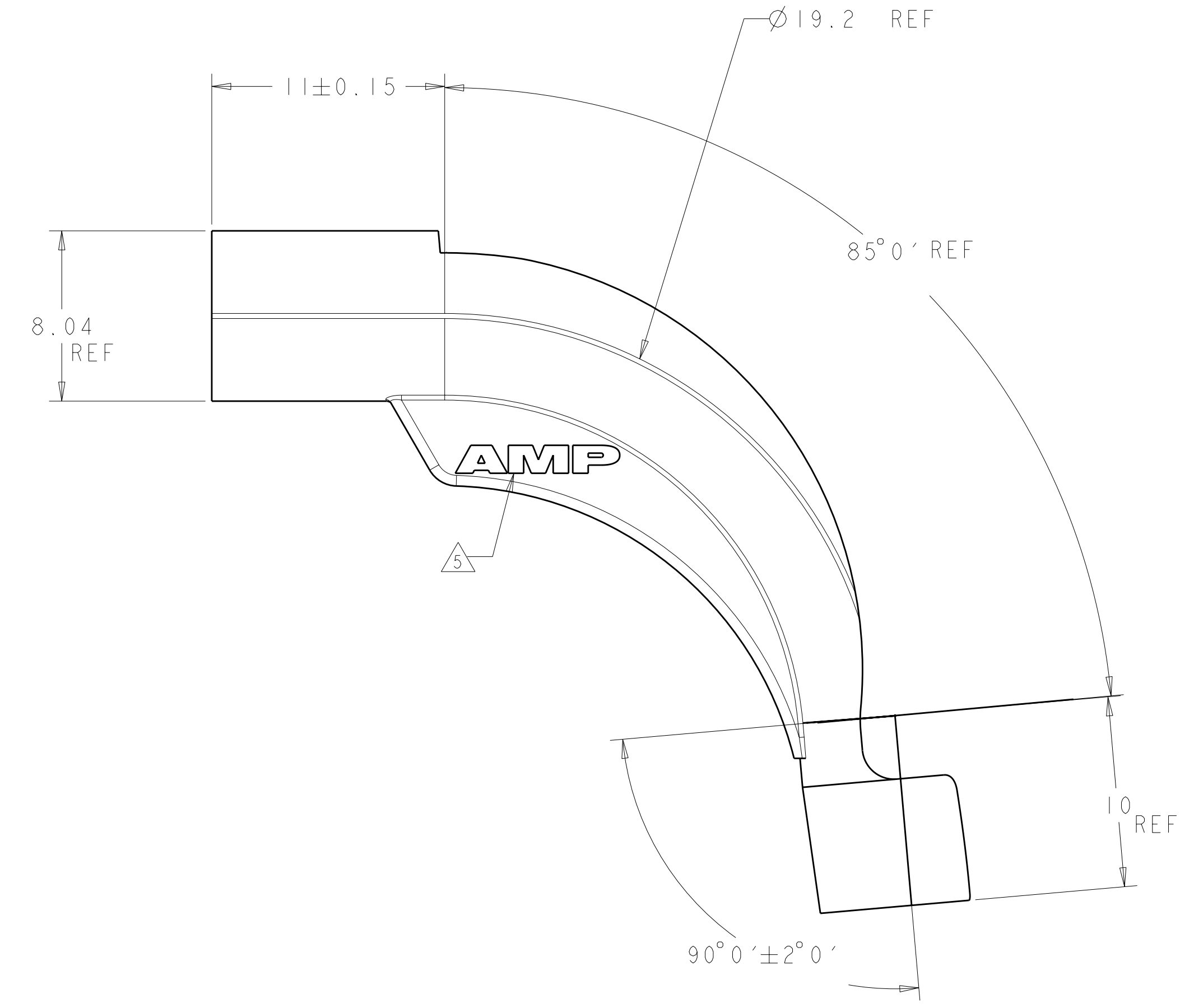


LOC	DIST	REV	DATE	BY	CHK	APPV
CE	16	0	27SEP2000	LE	SH	
		01	21NOV09	WK	AEQ	

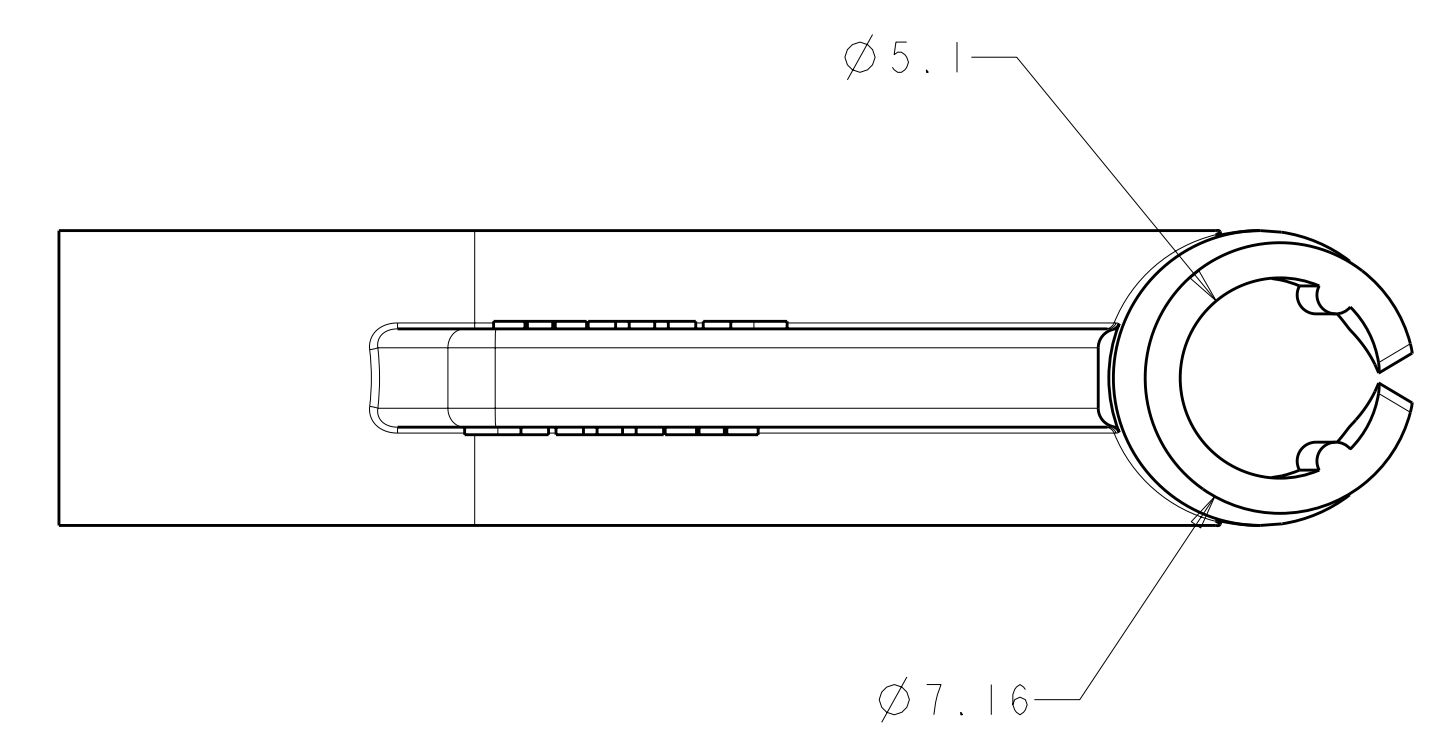
- 1 MATERIAL: THERMOPLASTIC, COLOR:BLACK.
- 2 MATERIAL: THERMOPLASTIC, COLOR:GREEN.
- 3 MATERIAL: THERMOPLASTIC, COLOR:BLUE.
- 4 MATERIAL: THERMOPLASTIC, COLOR:RED.
- 5 MOLDED IN AMP LOGO FOR -1 THRU -4
- 6 OBSOLETE PARTS: OBSOLETE CIS STREAMLINING PER D.RENAUD/D.SINISI



SCALE 5:1



SCALE 4:1



AMP LOGO	COLOR	MATERIAL	PART NUMBER
NO	RED	4	1374999-8
NO	BLUE	3	1374999-7
NO	GREEN	2	1374999-6
NO	BLACK	1	1374999-5
YES	RED	4	1374999-4
YES	BLUE	3	1374999-3
YES	GREEN	2	1374999-2
YES	BLACK	1	1374999-1
OBSOLETE	NO	NO	NO
OBSOLETE	NO	NO	NO
OBSOLETE	NO	NO	NO
OBSOLETE	NO	NO	NO
OBSOLETE	NO	NO	NO
OBSOLETE	NO	NO	NO

DIMENSIONS: mm TOLERANCES UNLESS OTHERWISE SPECIFIED: 0 PLC ±0.25 1 PLC ±0.2 2 PLC ±0.13 3 PLC ± 4 PLC ± ANGLES ± FINISH ±		DWN: 25MAY2000 CHK: MORNINGSTAR S. HILKER 07JUL2000 APPV: F. ABENDSCHEIN NAME: OPEN DIRECTOR LIGHTRAY MPX PRODUCT SPEC: - APPLICATION SPEC: - WEIGHT: - CUSTOMER DRAWING	Tyco Electronics Corporation Harrisburg, PA 17105-3608 SIZE: A100779 CAGE CODE: C=1374999 SCALE: 5:1 SHEET: 1 OF 1 REV: 01
--	--	--	--

单击下面可查看定价，库存，交付和生命周期等信息

[>>TE Connectivity\(泰科\)](#)