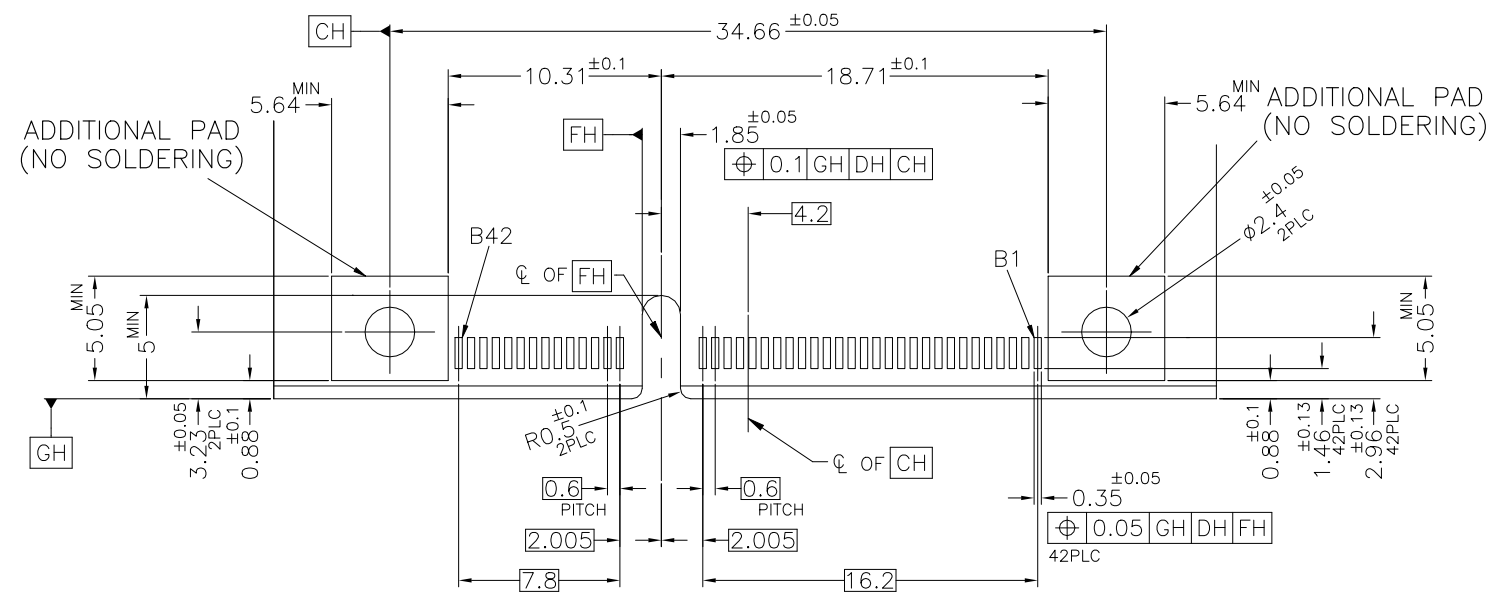


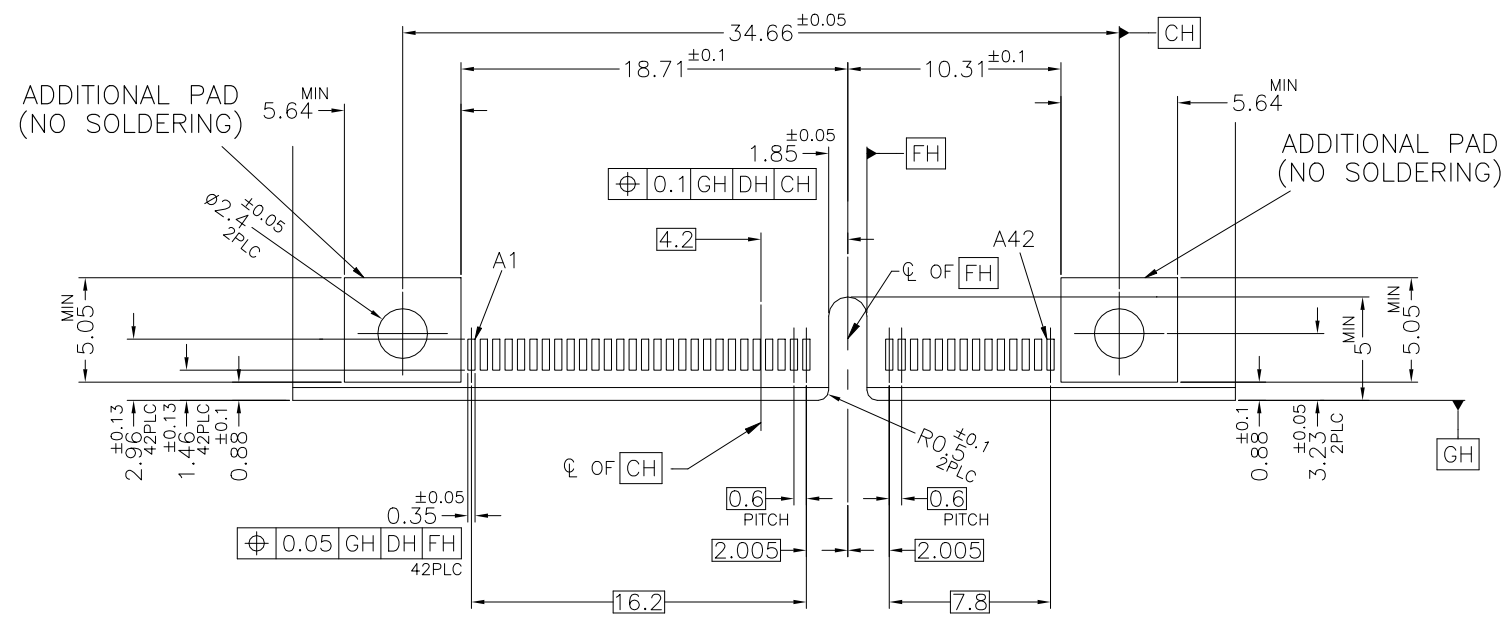


REVISIONS

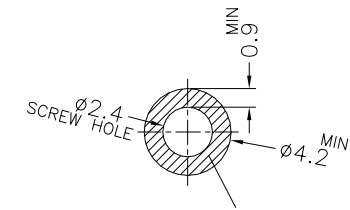
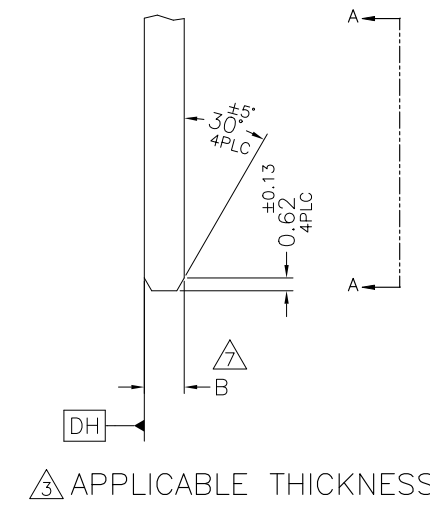
P	LTR	DESCRIPTION	DATE	DWN	APVD
-	-	SEE SHEET 1	-	-	-



REFERENCE HOST BOARD LAYOUT



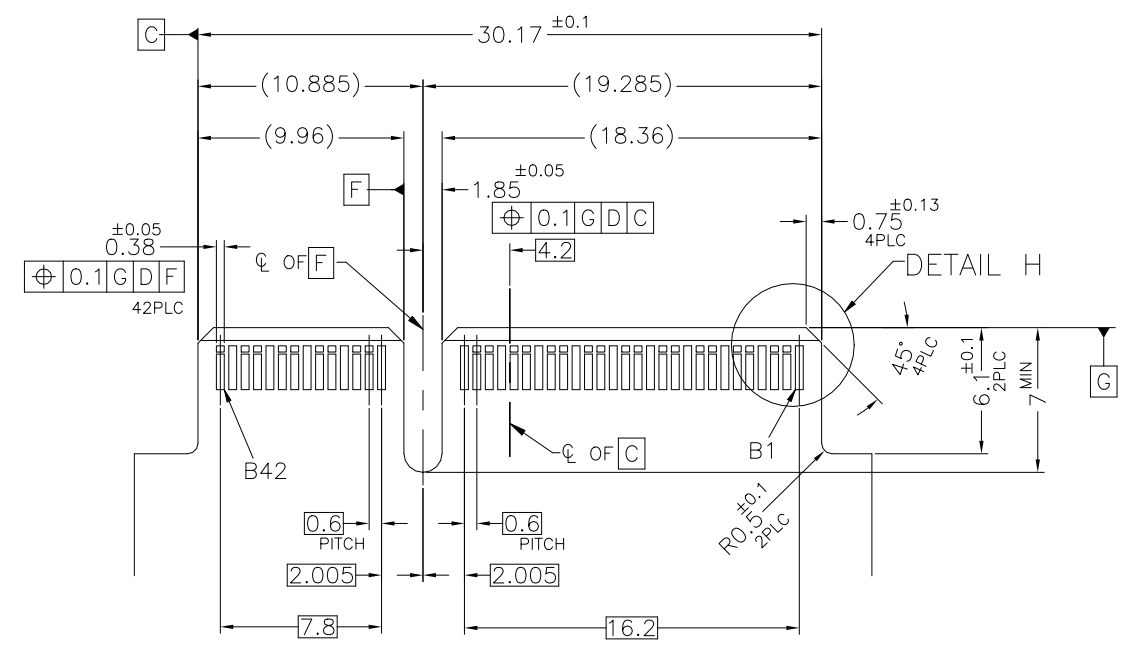
VIEW A-A



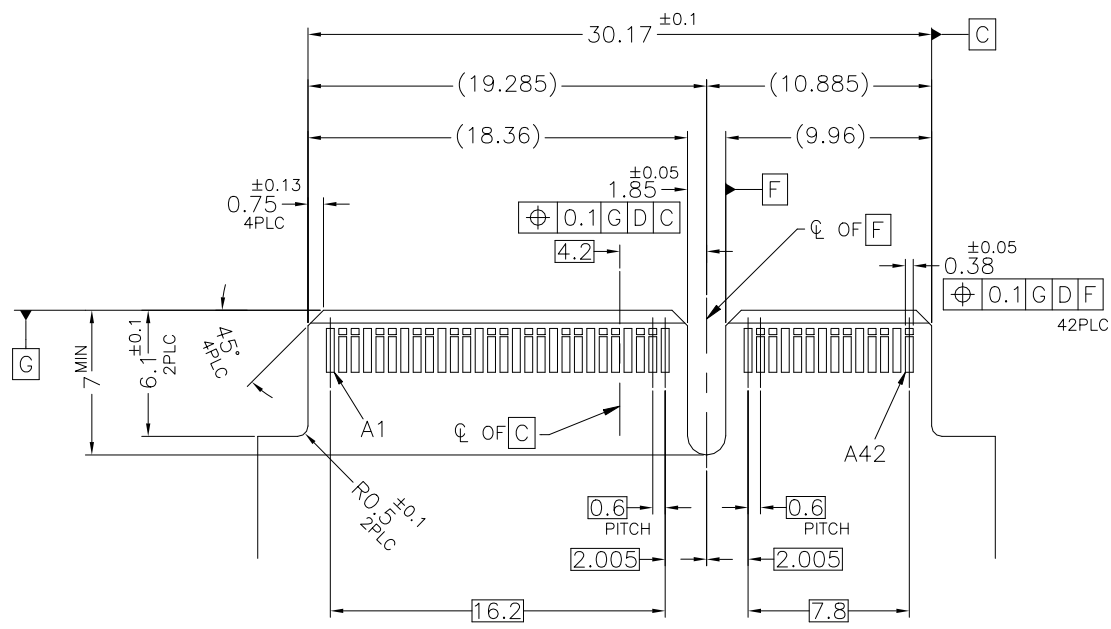
TRACE KEEP OUT AREA (SPPLIED TO INNER LAYERS AROUND BOTH SCREW HOLES)

THIS DRAWING IS A CONTROLLED DOCUMENT.		DWN	TE Connectivity Ltd.	
DIMENSIONS: mm		CHK	NAME	
TOLERANCES UNLESS OTHERWISE SPECIFIED: ±0.3		APVD	84 POSITION SLIVER 2.0 STRADDLE MOUNT	
ϕ-PLC ±		PRODUCT SPEC	SIZE	CAGE CODE
+PLC ±		APPLICATION SPEC	A2	00779
2-PLC ±		WEIGHT	DRAWING NO. C=2340326	
3-PLC ±		CUSTOMER DRAWING	SCALE	SHEET
4-PLC ±			4:1	2 of 4
ANGLES ±				REV E
FINISH				

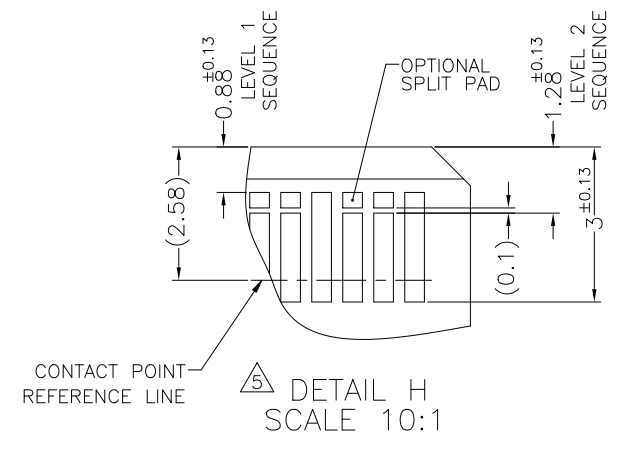
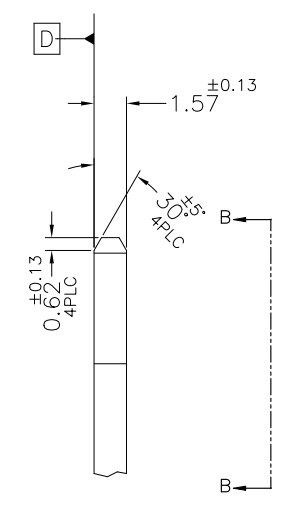
REVISIONS					
P	LTR	DESCRIPTION	DATE	DWN	APVD
-	-	SEE SHEET 1	-	-	-



REFERENCE AIC BOARD LAYOUT



VIEW B-B



DETAIL H SCALE 10:1

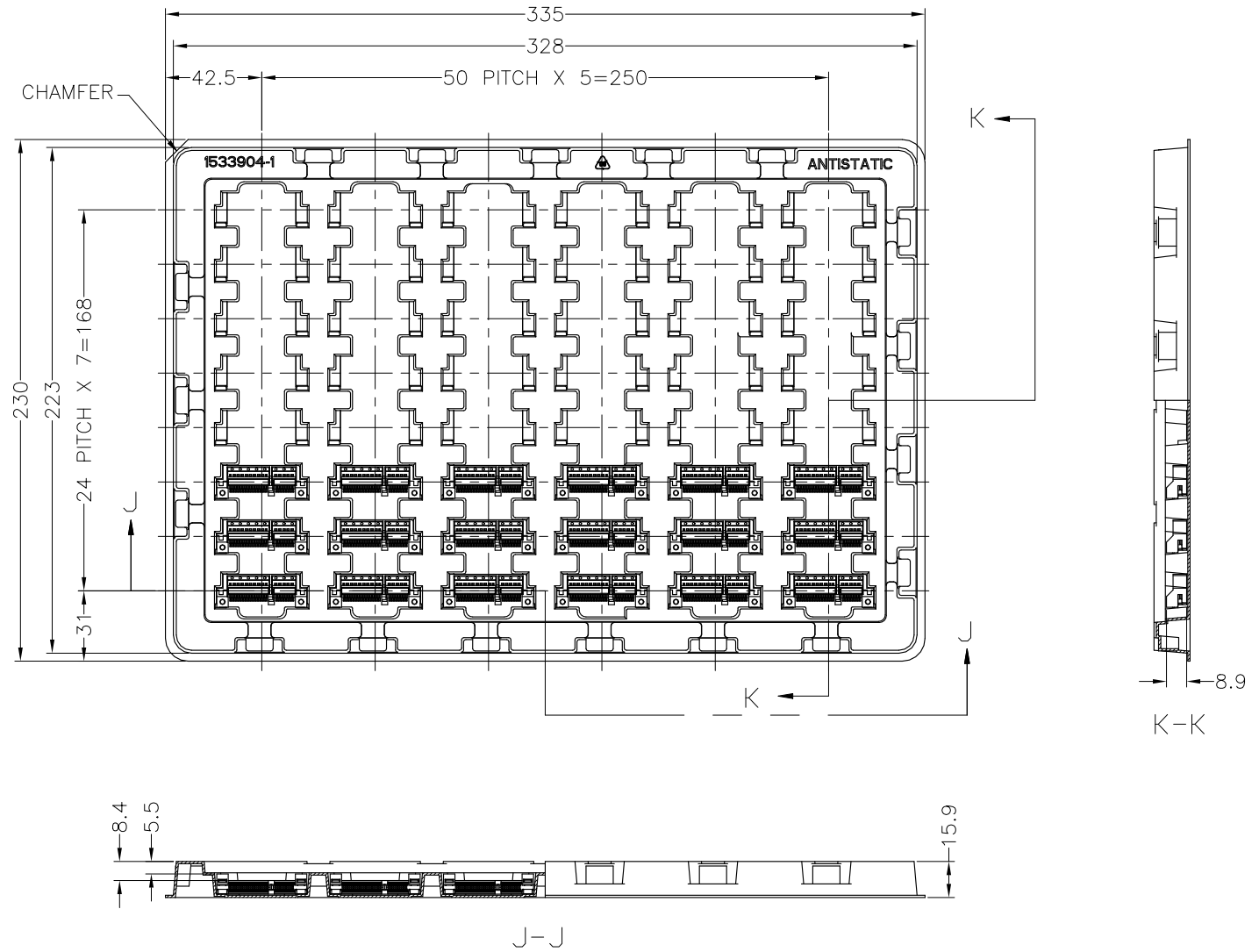
THIS DRAWING IS A CONTROLLED DOCUMENT.		DWN	TE Connectivity Ltd.		
DIMENSIONS: mm		CHK			
TOLERANCES UNLESS OTHERWISE SPECIFIED:		APVD	NAME		
0-PLC ±0.3 1-PLC ±0.1 2-PLC ±0.1 3-PLC ±0.1 4-PLC ±0.1 ANGLES ±0.1 FINISH		PRODUCT SPEC	84 POSITION SLIVER 2.0 STRADDLE MOUNT		
MATERIAL		APPLICATION SPEC	SIZE	CAGE CODE	DRAWING NO
		WEIGHT	A2	00779	C=2340326
		CUSTOMER DRAWING	SCALE	SHEET	REV
			4:1	3 of 4	E

REVISIONS					
P	LTR	DESCRIPTION	DATE	DWN	APVD
-	-	SEE SHEET 1	-	-	-

### CONNECTOR CONTACT IDENTIFICATION $\triangle 5$ $\triangle 6$

CONTACT NUMBER	SIDE A	SIDE B
1	GROUND	GROUND
2	SIGNAL	SIGNAL
3	SIGNAL	SIGNAL
4	GROUND	GROUND
5	SIGNAL	SIGNAL
6	SIGNAL	SIGNAL
7	GROUND	GROUND
8	SIGNAL	SIGNAL
9	SIGNAL	SIGNAL
10	GROUND	GROUND
11	SIGNAL	SIGNAL
12	SIGNAL	SIGNAL
13	GROUND	GROUND
14	SIGNAL	SIGNAL
15	SIGNAL	SIGNAL
16	GROUND	GROUND
17	SIGNAL	SIGNAL
18	SIGNAL	SIGNAL
19	GROUND	GROUND
20	SIGNAL	SIGNAL
21	SIGNAL	SIGNAL
22	GROUND	GROUND
23	SIGNAL	SIGNAL
24	SIGNAL	SIGNAL
25	GROUND	GROUND
26	SIGNAL	SIGNAL
27	SIGNAL	SIGNAL
28	GROUND	GROUND

CONTACT NUMBER	SIDE A	SIDE B
29	GROUND	GROUND
30	SIGNAL	SIGNAL
31	SIGNAL	SIGNAL
32	GROUND	GROUND
33	SIGNAL	SIGNAL
34	SIGNAL	SIGNAL
35	GROUND	GROUND
36	SIGNAL	SIGNAL
37	SIGNAL	SIGNAL
38	GROUND	GROUND
39	SIGNAL	SIGNAL
40	SIGNAL	SIGNAL
41	GROUND	GROUND
42	GROUND	GROUND



SOFT TRAY PACKAGING: -1, 2--1

1. MATERIAL: HIPS, COLOR: NATURAL
2. QTY. : 8 X 6 = 48 POCKETS PER TRAY
3. TOLERANCES ON TRAY DIMENSIONS ARE REFERENCE

THIS DRAWING IS A CONTROLLED DOCUMENT.		DWN	TE Connectivity Ltd.		
DIMENSIONS: mm		CHK	NAME		
TOLERANCES UNLESS OTHERWISE SPECIFIED:		APVD	84 POSITION SLIVER 2.0 STRADDLE MOUNT		
0 PLG ±		PRODUCT SPEC	SIZE	CAGE CODE	DRAWING NO
1 PLG ±		APPLICATION SPEC	A2	00779	C=2340326
2 PLG ±		WEIGHT	RESTRICTED TO		
3 PLG ±		CUSTOMER DRAWING	SCALE	SHEET	REV
4 PLG ±			NTS	4 of 4	E
ANGLES ±					
FINISH					

单击下面可查看定价，库存，交付和生命周期等信息

[>>TE Connectivity\(泰科\)](#)