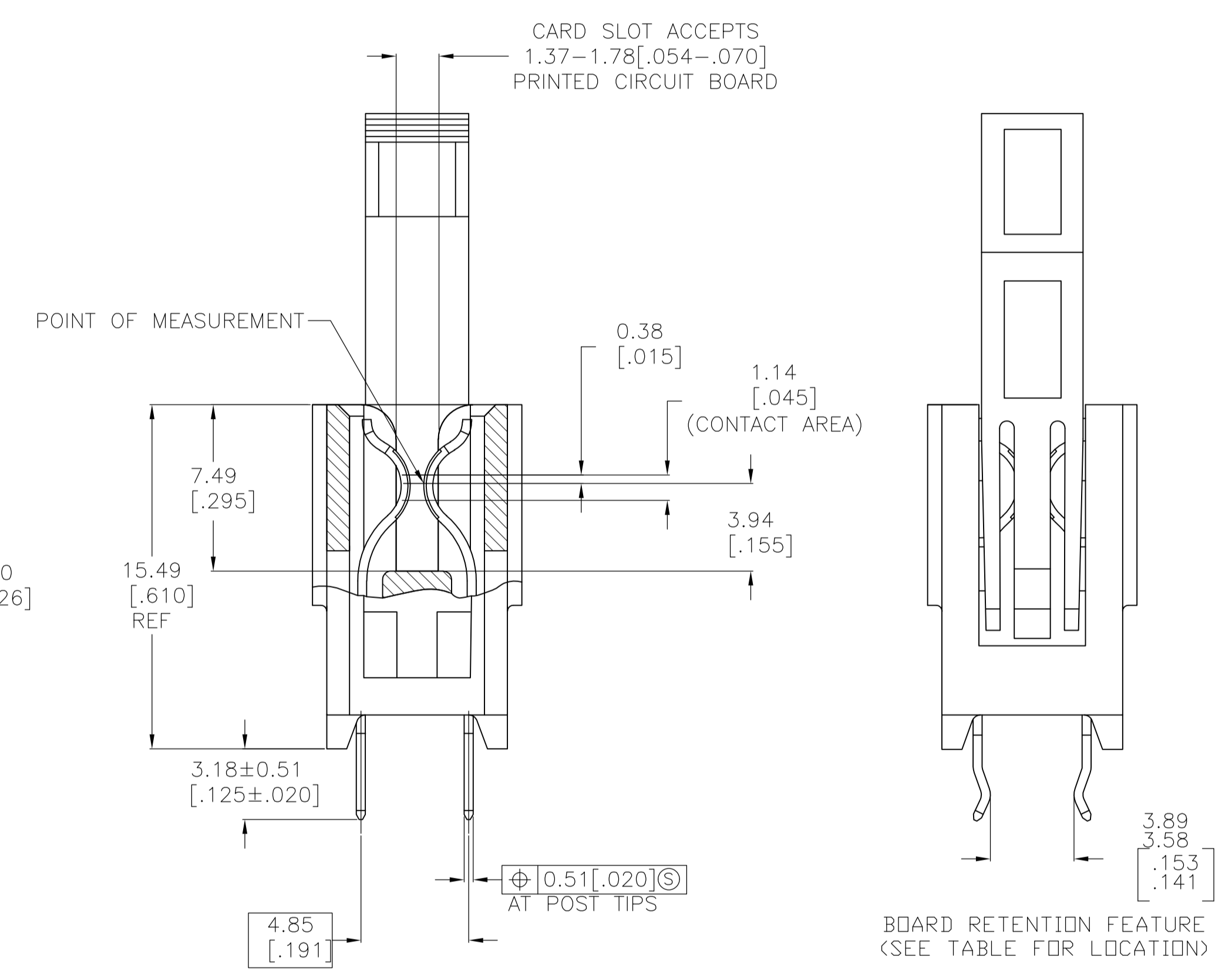
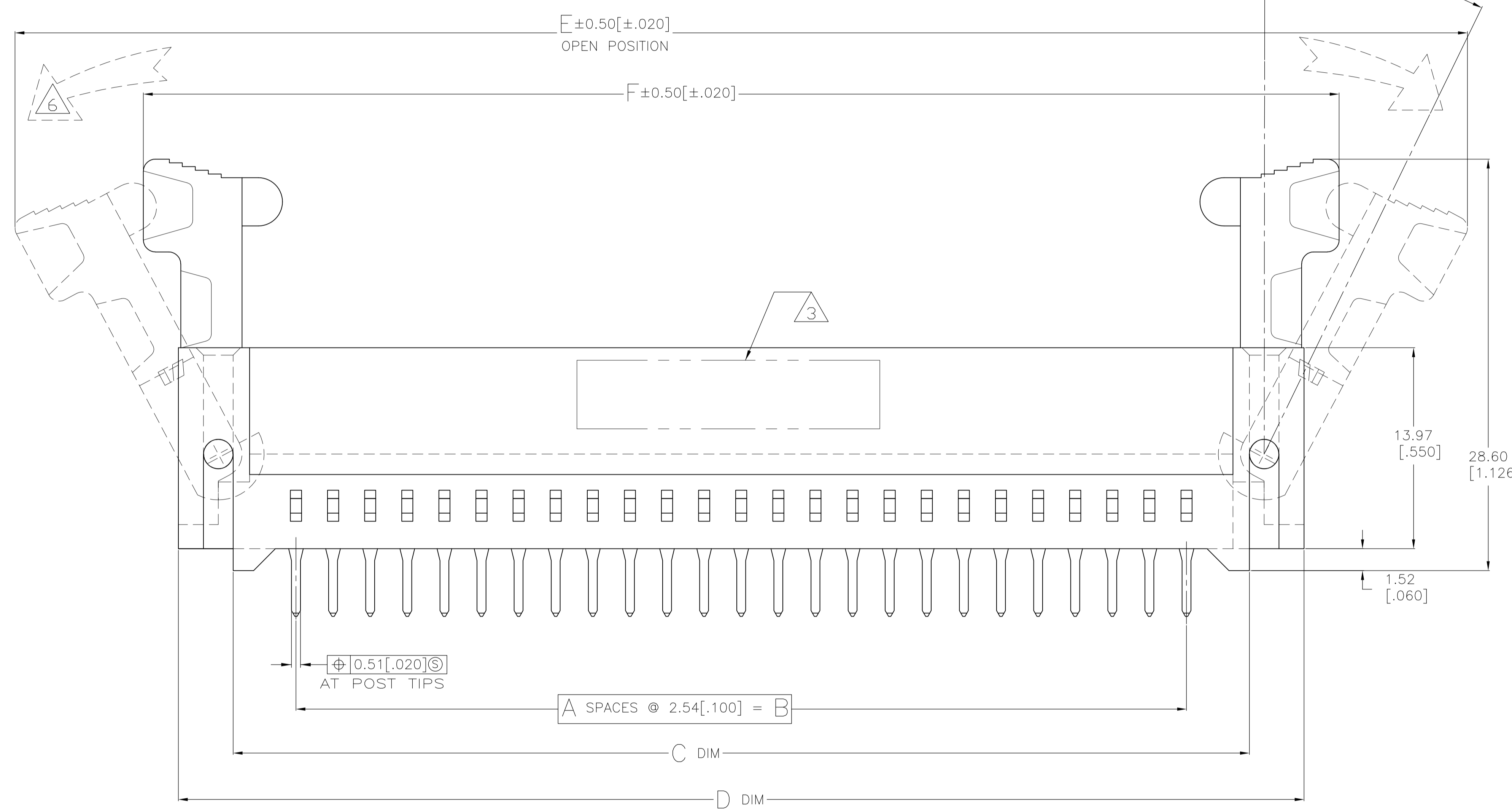


- MATERIAL:
HOUSING: GLASS FILLED POLYESTER, COLOR: BLACK.
CONTACT: PHOSPHOR BRONZE
LATCH: GLASS FILLED POLYESTER, COLOR: BLACK
- FINISH:
0.00076[.000030] MIN GOLD PLATE IN CONTACT AREA,
0.00254[.000100] MIN MATTE TIN ON SOLDER POSTS, ALL
OVER 0.00127[.000050] MIN NICKEL
- AMP LOGO, TE PART NUMBER, DATE CODE AND CSA LOGO INK
STAMPED WHITE (HOT STAMPED OR LAZER PRINTED) IN THE APPROXIMATE
AREA SHOWN, EITHER SIDE PERMISSABLE, WHEN HOUSING SIZE PERMITS
- DATUMS AND BASIC DIMENSIONS ESTABLISHED BY CUSTOMER
- CONNECTORS SHOWN ARE USED IN APPLICATIONS WITH VRM MODULES WEIGHING
3 OUNCES OR LESS. ALTERNATE CONNECTOR AND LATCH METHOD IS AVAILABLE FOR
VRM MODULES WEIGHING UP TO 6 OUNCES.
- CAUTION: LATCHES ARE INTENDED FOR RETENTION OF PC BOARD TO CONNECTOR,
DO NOT ATTEMPT TO FULLY EJECT PC BOARD FROM CONNECTOR WHILE DISENGAGING
LATCHES. DAMAGE TO LATCHES AND/OR CONNECTOR MAY OCCUR

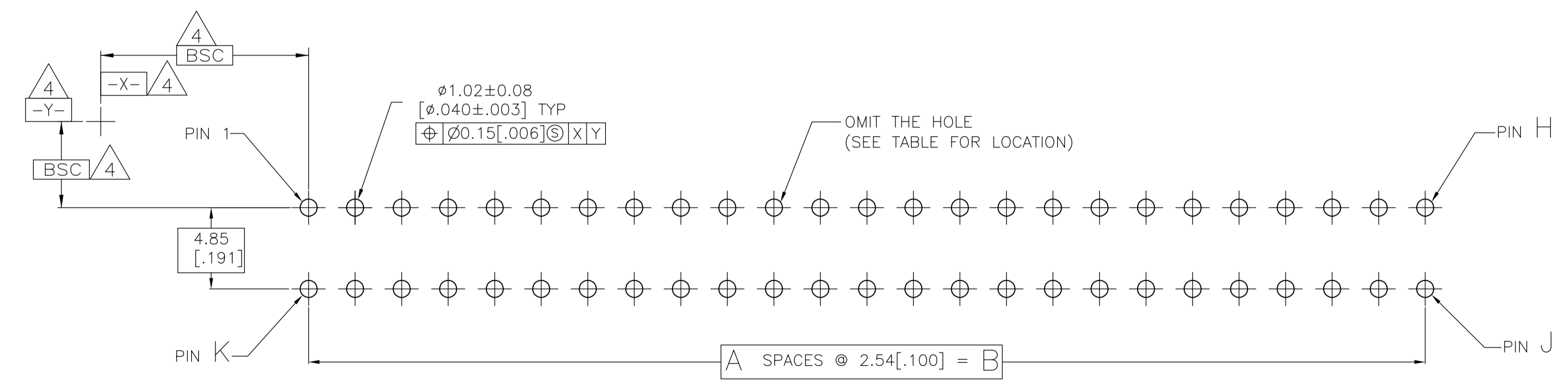
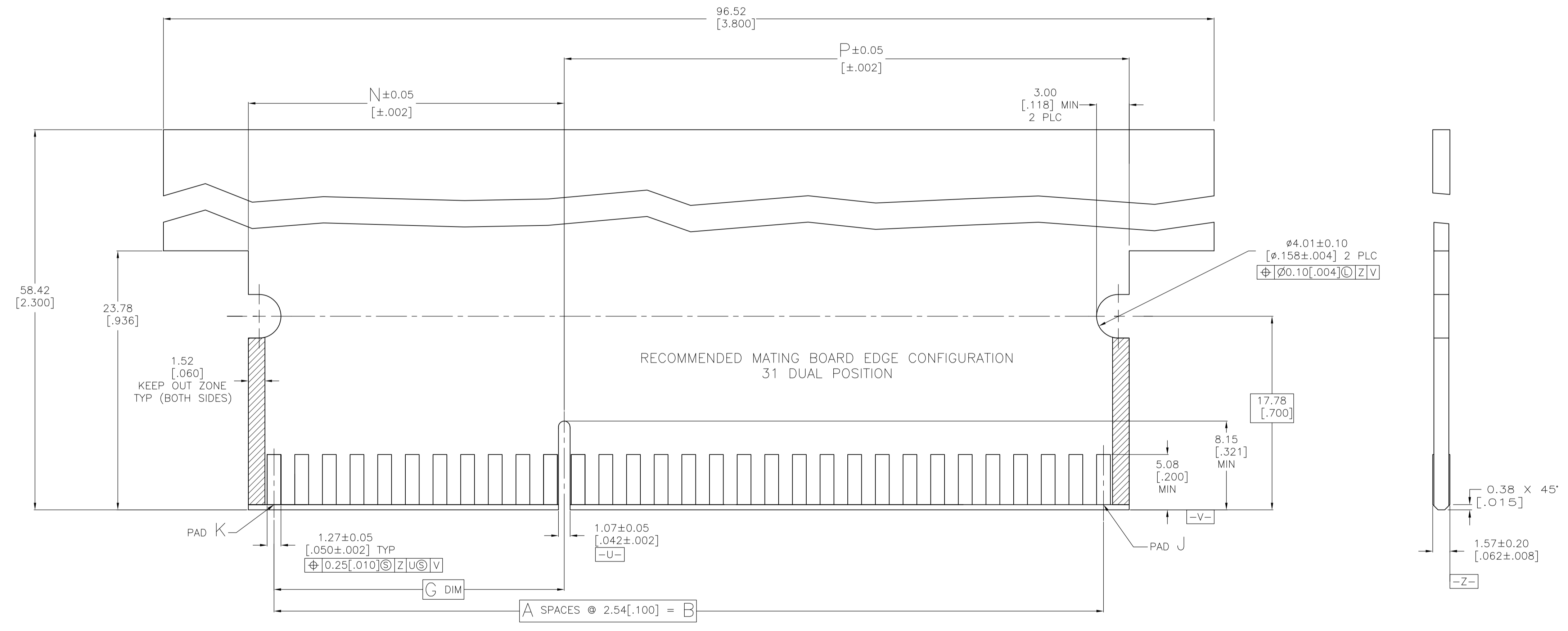
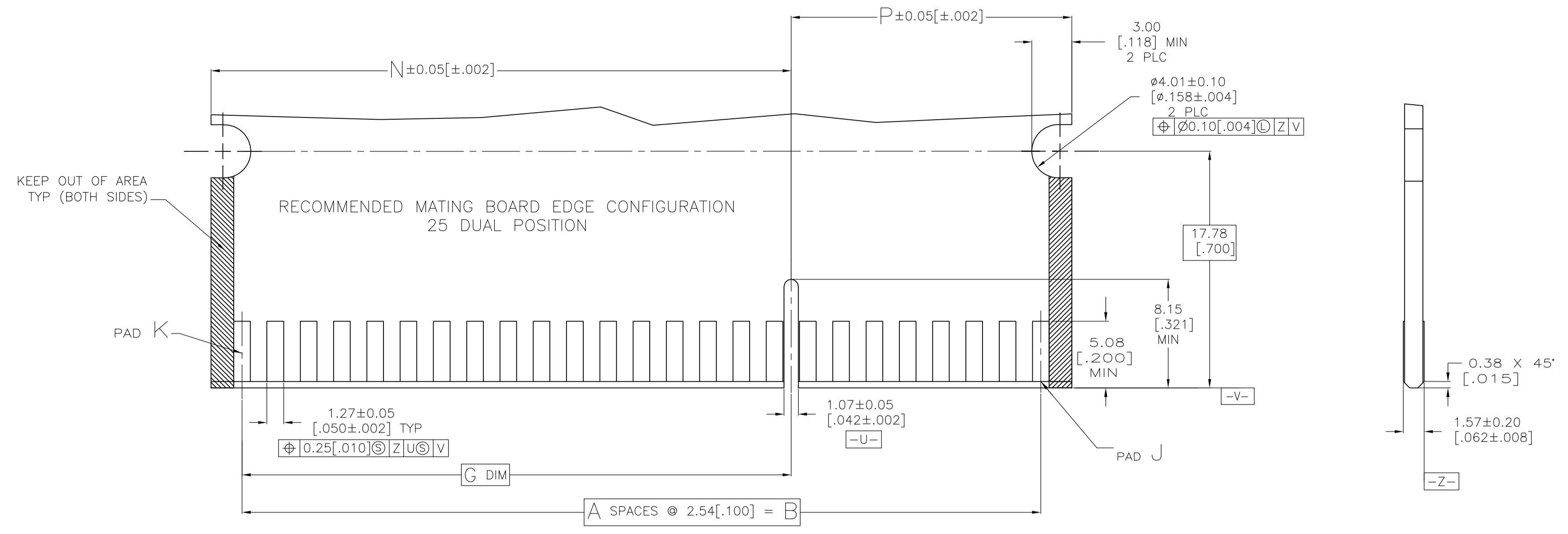


2, 3, 23, 24, 27, 28, 48, 49	21 & 22	44	11.25 [.443]	54.43 [2.143]	50	26	25	52.07 [2.050]	79.60 [3.130]	97.10 [3.820]	74.78 [2.944]	67.28 [2.649]	60.96 [2.400]	24	25	5145432-8
2, 3, 29, 30, 33, 34, 60, 61	7 & 8	6	62.05 [2.443]	18.87 [.743]	62	32	31	16.51 [.650]	94.80 [3.730]	112.40 [4.420]	90.02 [3.544]	82.52 [3.249]	76.20 [3.000]	30	31	5145432-5
2, 3, 23, 24, 27, 28, 48, 49	17 & 18	44	21.41 [.843]	44.27 [1.743]	50	26	25	41.91 [1.650]	79.60 [3.130]	97.10 [3.820]	74.78 [2.944]	67.28 [2.649]	60.96 [2.400]	24	25	5145432-2
RETENTION FEATURE LOCATION	MOLDED-IN KEYING FEATURE BETWEEN	OMITTED PIN & HOLE	P	N	K	J	H	G	F	E	D	C	B	A	NO OF DUAL POSN	PART NUMBER

THIS DRAWING IS A CONTROLLED DOCUMENT.

DIMENSIONS: mm [INCHES]	TOLERANCES UNLESS OTHERWISE SPECIFIED:	DIN AWF/L.A.MAYER 01APR2008	AWF/L.A.MAYER 01APR2008	01APR2008	01APR2008	01APR2008	01APR2008	01APR2008	01APR2008	01APR2008	01APR2008	01APR2008	01APR2008	01APR2008	01APR2008	01APR2008	01APR2008
0 PLC ± -	1 PLC ± -	2 PLC ± -	3 PLC ± 0.13[.005]	4 PLC ± -	ANGLES ± 2°	01APR2008	01APR2008	01APR2008	01APR2008	01APR2008	01APR2008	01APR2008	01APR2008	01APR2008	01APR2008	01APR2008	01APR2008
SEE NOTE 1	SEE NOTE 2	AWF/L.A.MAYER	A.W.FRANTUM	S.FLICKINGER	NAME	CONNECTOR ASSEMBLY, STANDARD EDGE II, DUAL POSITION, 2.54[.100] CENTERLINE	108-9039	114-13018	100779	5145432	5145432	5145432	5145432	5145432	5145432	5145432	5145432

CUSTOMER DRAWING SCALE 5:1 SHEET 1 OF 2 REV C



THIS DRAWING IS A CONTROLLED DOCUMENT.		DIN	AWF/L.A.MAYER 01APR2008		Tyco Electronics Corporation	
		CHK	A.W.FRANTUM 01APR2008		Harrisburg, PA 17105-3608	
		APVD	S.FLICKINGER 01APR2008		NAME	
		PRODUCT SPEC		CONNECTOR ASSEMBLY, STANDARD EDGE II, DUAL POSITION, 2.54[.100] CENTERLINE		
		APPLICATION SPEC		108-9039		
		MATERIAL		114-13018		
		FINISH		114-13018		
		WEIGHT		A1 00779 C=5145432		
		CUSTOMER DRAWING		SCALE 4:1 SHEET 2 OF 2 REV C		

单击下面可查看定价，库存，交付和生命周期等信息

[>>TE Connectivity\(泰科\)](#)