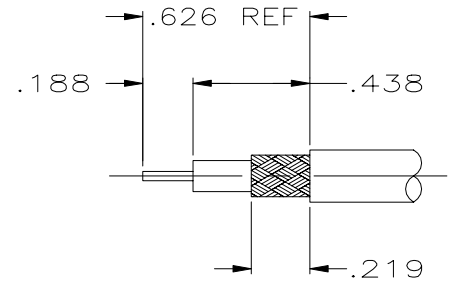
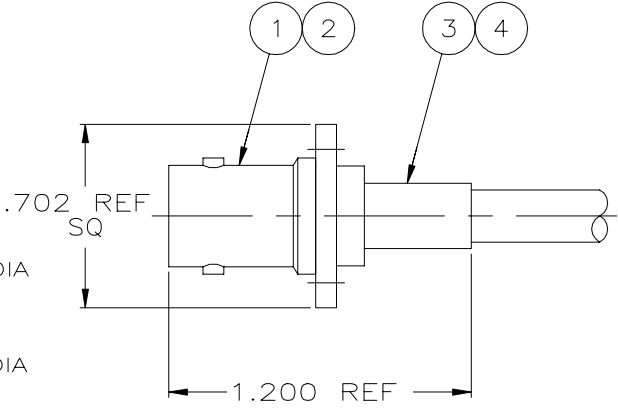
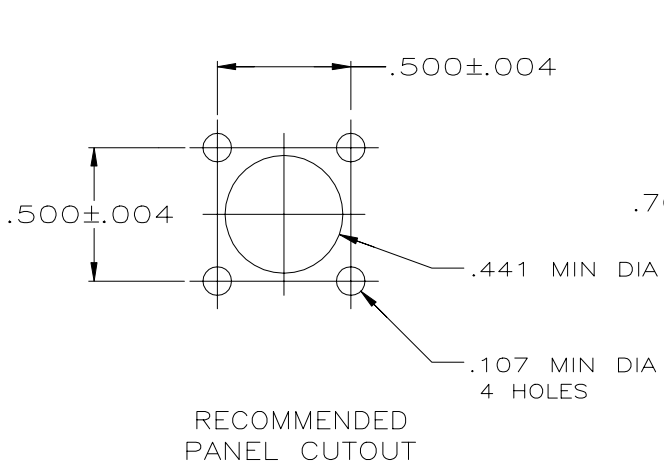


REVISIONS					
P	LTR	DESCRIPTION	DATE	DWN	APVD
S1		REVISED PER ECR-21-103273	13MAY2021	RZ	WK



- ① SEE I.S. 1914-4
- ② OBSOLETE PARTS: OBSOLETE CIS STREAMLINING PER D.RENAUD/D.SINISI

<del>SUPERSEDED</del>	RG-58/U,58A/U,58B/U & 58C/U	69478-1	.391 OZ	_____	9-50427-1	1-331369-6	1-331791-2	9-225397-0
<del>SUPERSEDED</del>	RD-188/U, 316/U	220009-1	-	21427-2	9-329049-0	1-331368-2	1-331791-4	1-225397-4
	RG-174/U & 188/U	220009-1	-	21427-2	9-328666-0	1-331368-2	1-331791-5	1-225397-3
<del>OBSOLETE</del>	AMPHENOL 21-597	69477-2	.023565 LB	_____	9-329461-0	1-331368-2	1-331791-4	1-225397-0
<del>OBSOLETE</del>	RG-179/U & 187/U	220009-1	.023601 LB	21427-2	9-328666-0	1-331368-4	1-331791-4	225397-8
	RG0174/U, 188/U, 316/U	220009-1	.023583 LB	21427-2	9-328666-0	1-331368-2	1-331791-4	225397-7
<del>OBSOLETE</del>	RG-55/U,55A/U,55B/U & 223/U	69478-1	.023869 LB	_____	9-329099-0	1-331369-6	1-331791-2	225397-3
② <del>SUPERSEDED</del>	RG-59B/U & 62B/U	69477-1	.024369 LB	_____	9-50428-0	2-331368-3	1-331791-3	225397-2
	RG-58/U,58A/U,58B/U & 58C/U	69478-1	.391 OZ	_____	9-50427-1	1-331369-6	1-331791-2	225397-1
	FOR USE WITH CABLE:	CRIMPING TOOL	WEIGHT	④ BUSHING QTY=1	③ FERRULE QTY=1	② CONTACT QTY=1	① JACK ASSY, PANEL QTY=1	PART NO

THIS DRAWING IS A CONTROLLED DOCUMENT.

DIMENSIONS: INCHES	TOLERANCES UNLESS OTHERWISE SPECIFIED:	DWN J. L. GROFT 4-25-90	TE Connectivity
0 PLC ± -	1 PLC ± -	CHK R. E. RUTH 5/25/90	JACK, PANEL, DUAL CRIMP, BNC
2 PLC ± -	3 PLC ± .016	APVD -	SIZE A2
4 PLC ± -	ANGLES ± -	PRODUCT SPEC -	CAGE CODE 00779
MATERIAL -	FINISH -	APPLICATION SPEC -	DRAWING NO C=225397
		WEIGHT 0.000000	RESTRICTED TO -
		CUSTOMER DRAWING	SCALE NTS
		SHEET 1 of 1	REV S1

225397

单击下面可查看定价，库存，交付和生命周期等信息

[>>TE Connectivity\(泰科\)](#)