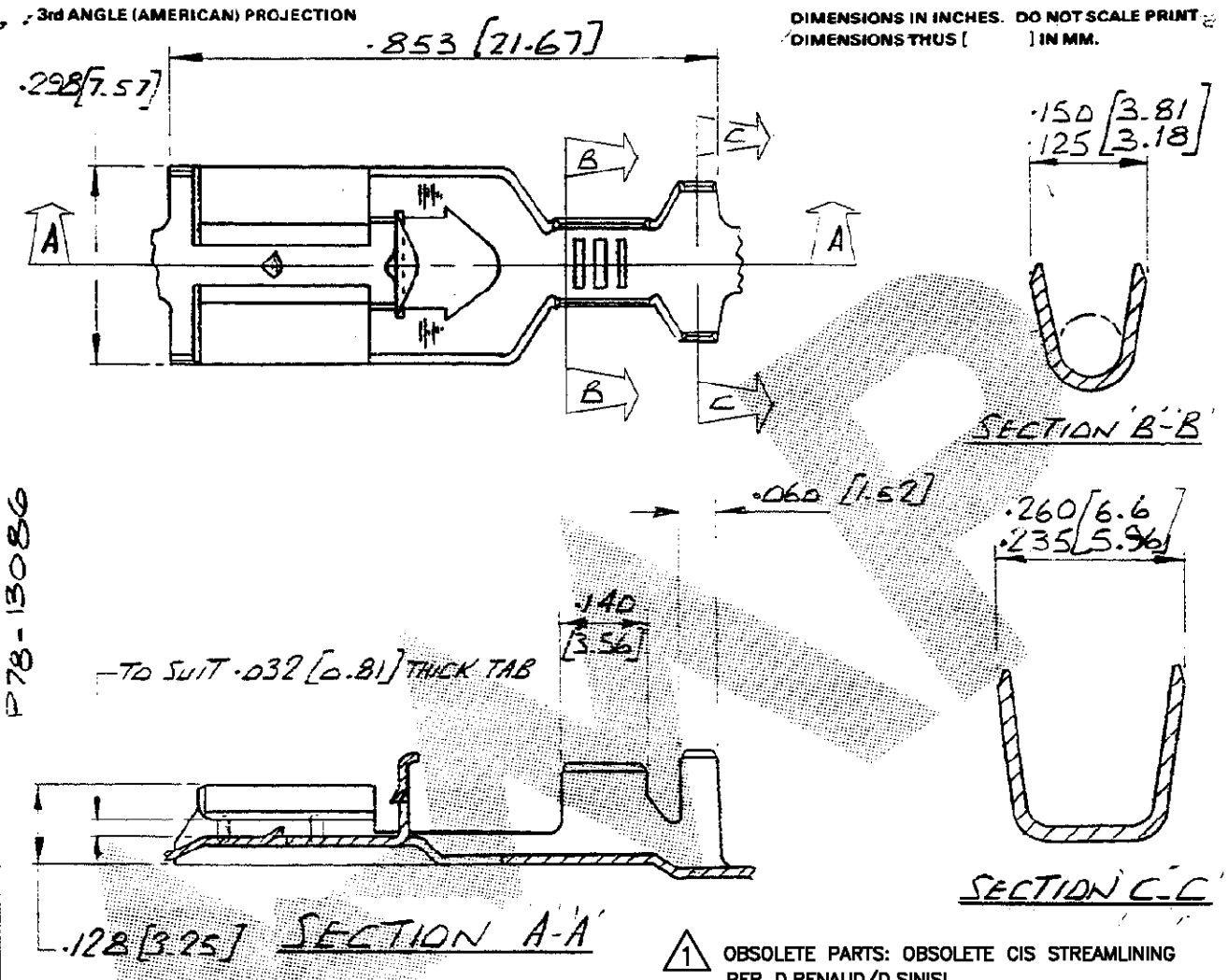


C:341298



LOOSE PIECE PART NO	PART NO	MATERIAL	FINISH
	341411-1	1-341298-2	BRASS
OBSOLETE	341411-2	<del>1-341298-1</del>	BRASS
AUSTRALIAN PROD. ONLY	341411-5	341298-5	NICKEL SILVER
	341411-4	341298-4	PHOSPHOR BRONZE
1 OBSOLETE	341411-3	<del>341298-3</del>	PHOSPHOR BRONZE
	341411-2	341298-2	BRASS
	341411-1	341298-1	BRASS

F1	ECO-09-026346	KK	AEG	28NOV88	© AMP of GREAT BRITAIN LTD 1978	CUSTOMER COPY REFERENCE ONLY
F	1--2 ADDED	R.P.	5574	26790	MATERIAL AND FINISH SEE TABLE	AMP of Great Britain Ltd.
E	1--1 ADDED	DR	5561	28.1.88	WIRE - RANGE - INSULATION 1-2.5mm <sup>2</sup>   2.6mm-3.6mm	CLASS
D	341298-4 & 5 OBSOLETE	A.B.H.	5055	29.9.88	TOLERANCE EXCEPT AS NOTED ± 0.15 [0.38] ± 1° 0'	TYPE
C	-5 MAT. NICKEL SILVER ADDED	DR	5561	28.1.88	SCALE 4:1	LOC
B	-5 MATERIAL: NICKEL SILVER DELETED	A.H.	-	14.83	NO	E A C:341298
ISS	REVISION RECORD	DR	CHK	DATE	NAME POSITIVE LOCK RECEPTACLE MK II (25)	
DR	C.F. SLOUGH 9/12/78	DE	J.P.	5.7.78		
CHK	J.P.	APP				

单击下面可查看定价，库存，交付和生命周期等信息

[>>TE Connectivity\(泰科\)](#)