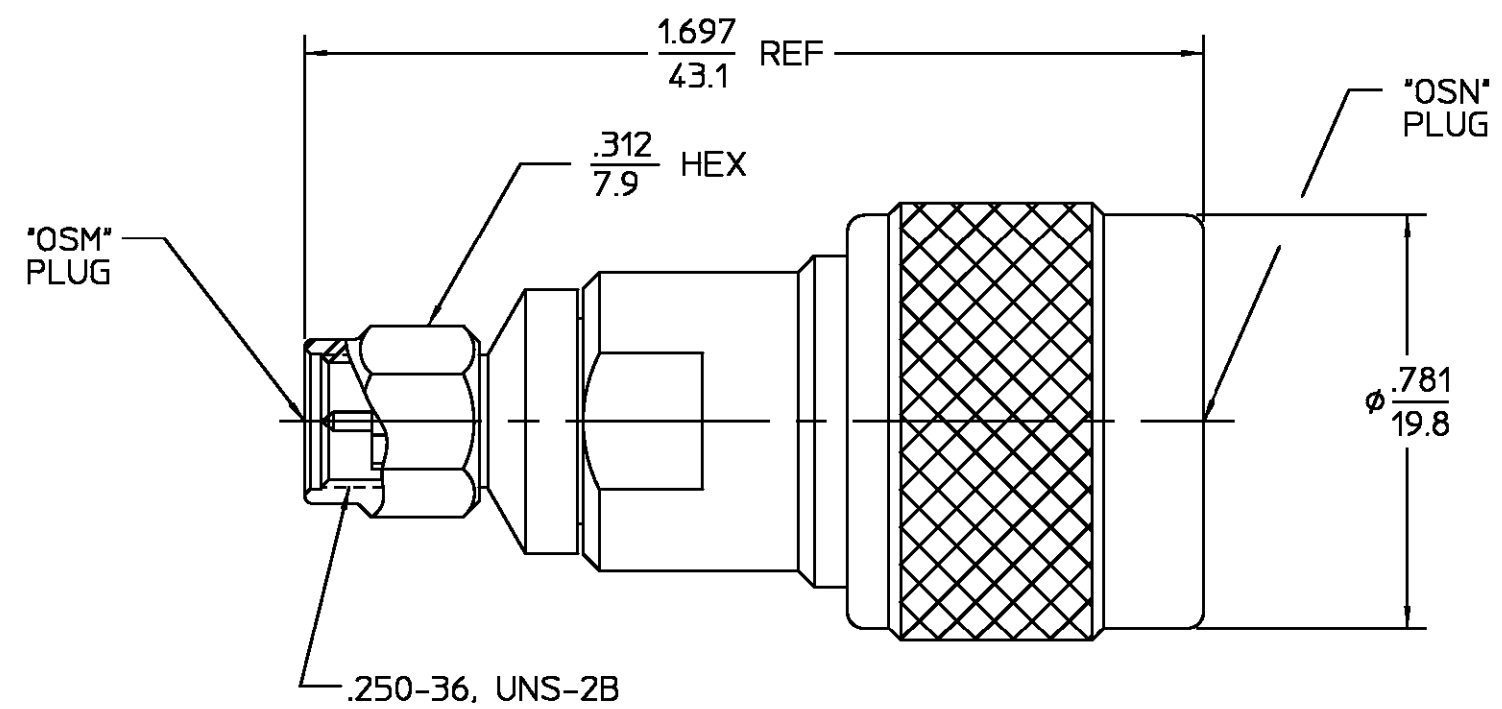
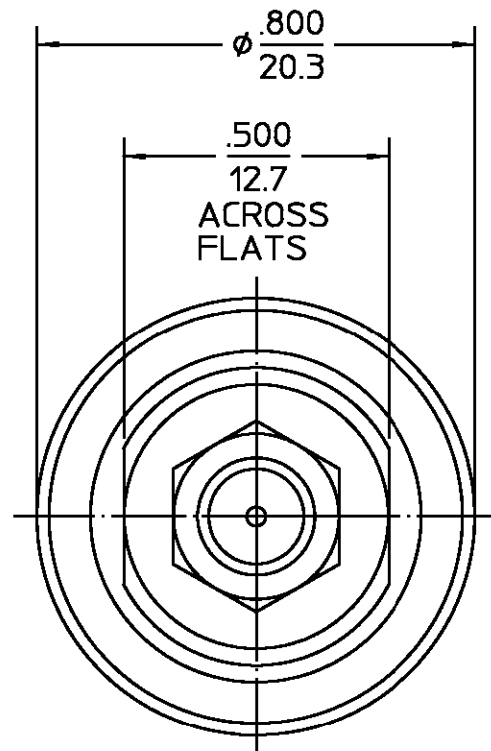


REVISIONS			
REV	DESCRIPTION	DATE	APPROVED
01 ₃	REDRAWN IN CAD, ECN 97-0001	K.LE 1-9-97	S. Morley 1/22/97
B	PER EC 0U20-0116-01-02	10/26/01	C. Hwang



COMPONENT	MATERIAL	FINISH
HOUSING COUPLING NUTS	STAINLESS STEEL PER ASTM-A484 AND ASTM-A582, TYPE 303	PASSIVATE PER QQ-P-35
DIELECTRIC	TFE FLUOROCARBON PER ASTM-D-1457	N/A
RETAINING RING (OSM)	BERYLLIUM COPPER PER ASTM-B-194, ALLOY C17200, CONDITION H	N/A
RETAINING RING (TYPE N)	PHOSPHOR BRONZE PER QQ-B-750, GRADE B2	N/A
CONTACT EXT. BUSHING & CENTER CONTACT	BRASS PER ASTM-B-16, HALF HARD	GOLD PLATE PER MIL-G-45204
GASKET	SILICONE RUBBER PER ZZ-R-765	N/A

.XXX = in
XX.X = mm (REF)

UNLESS OTHERWISE SPECIFIED DIMENSIONS ARE IN INCHES		DRAWN BY BWC DATE 10-13-67		 AMP Incorporated 140 Fourth Avenue Waltham, MA 02451-7599
FRAC. ± 1/64	DEC. ± .005	ANGLES ± 1°	CHECKED BY PRB DATE 2-28-68	
These drawings and specifications are the property of M/A COM Interconnect Div. and shall not be reproduced or copied or used in whole or in part as the basis for the manufacture or sale of item(s) without written permission.			APPD BY RMF DATE 2-29-68	
USE ASSY PROCEDURE		TITLE TYPE N PLUG TO OSM PLUG ADAPTER		
NO. A.P. N/A		SIZE B	CODE IDENT NO. 26805	REV 01 ₃
		SCALE 3:1	SHEET 1 OF 1	

CUSTOMER DRAWING

AMP PART # 1053646-1
SHEET 1 OF 1 REV B

单击下面可查看定价，库存，交付和生命周期等信息

[>>TE Connectivity\(泰科\)](#)