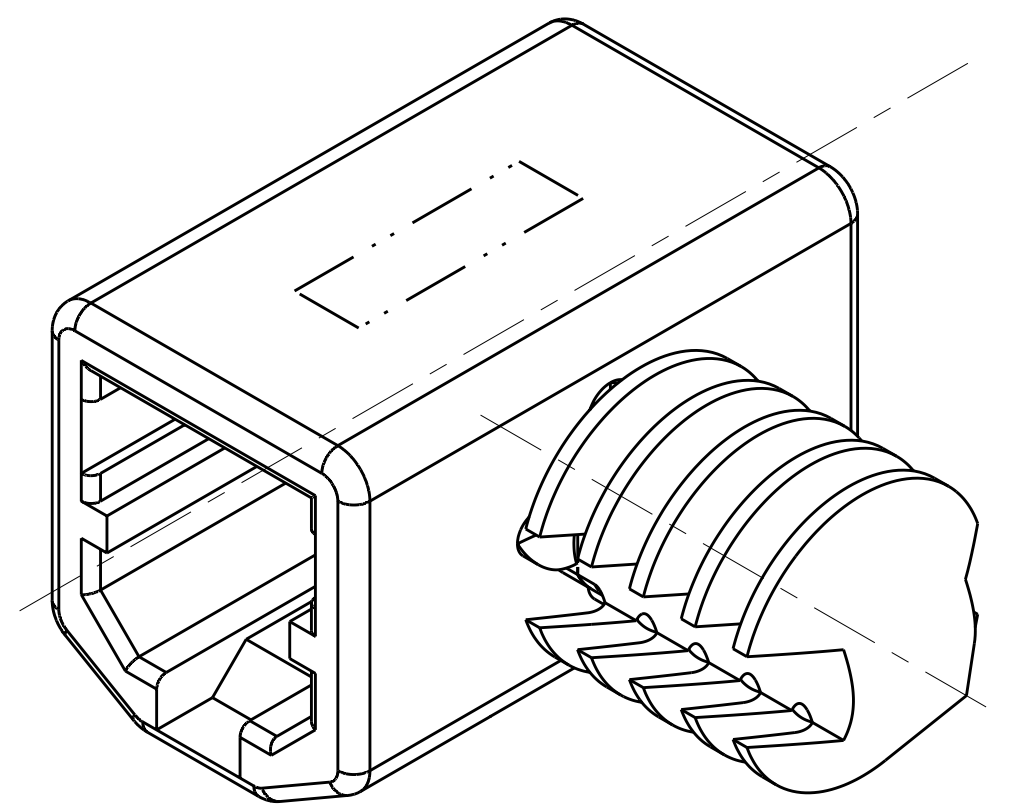
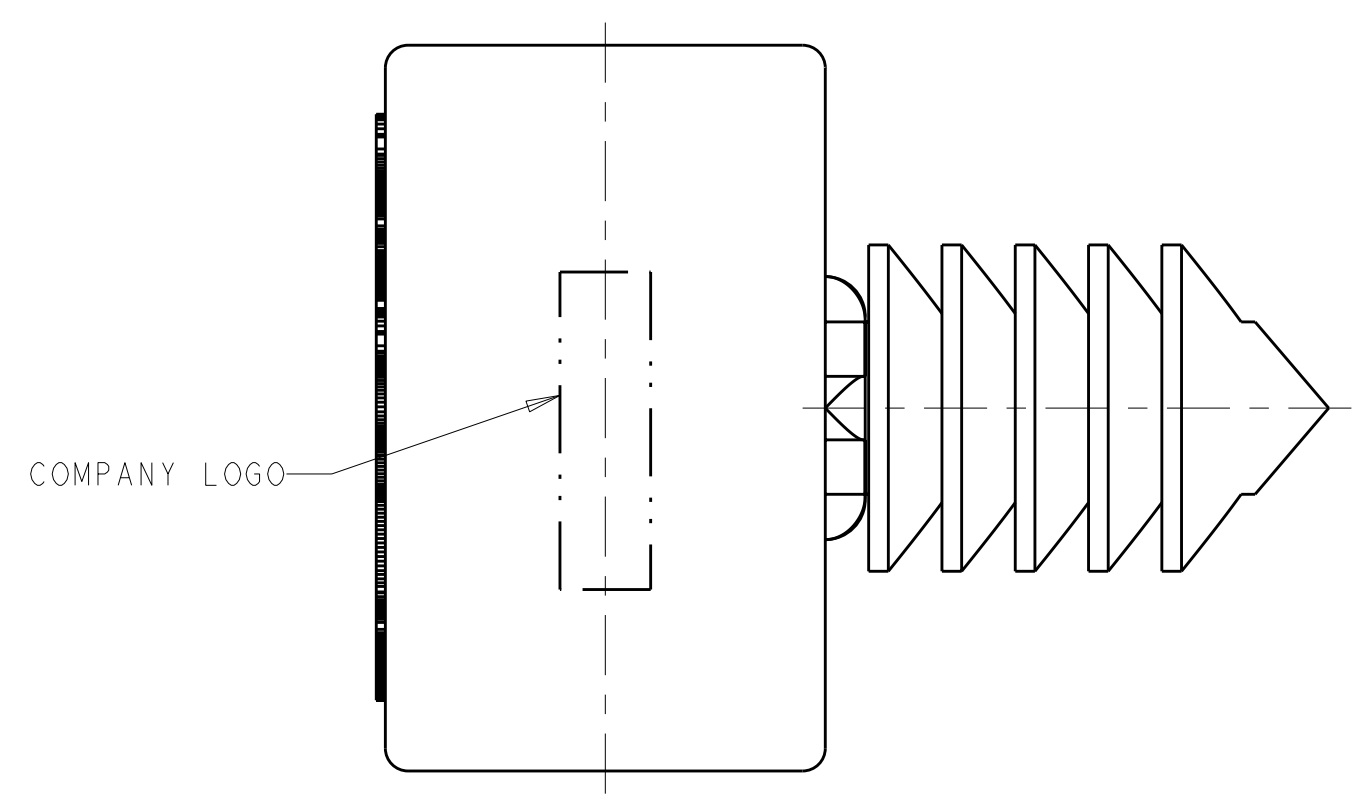
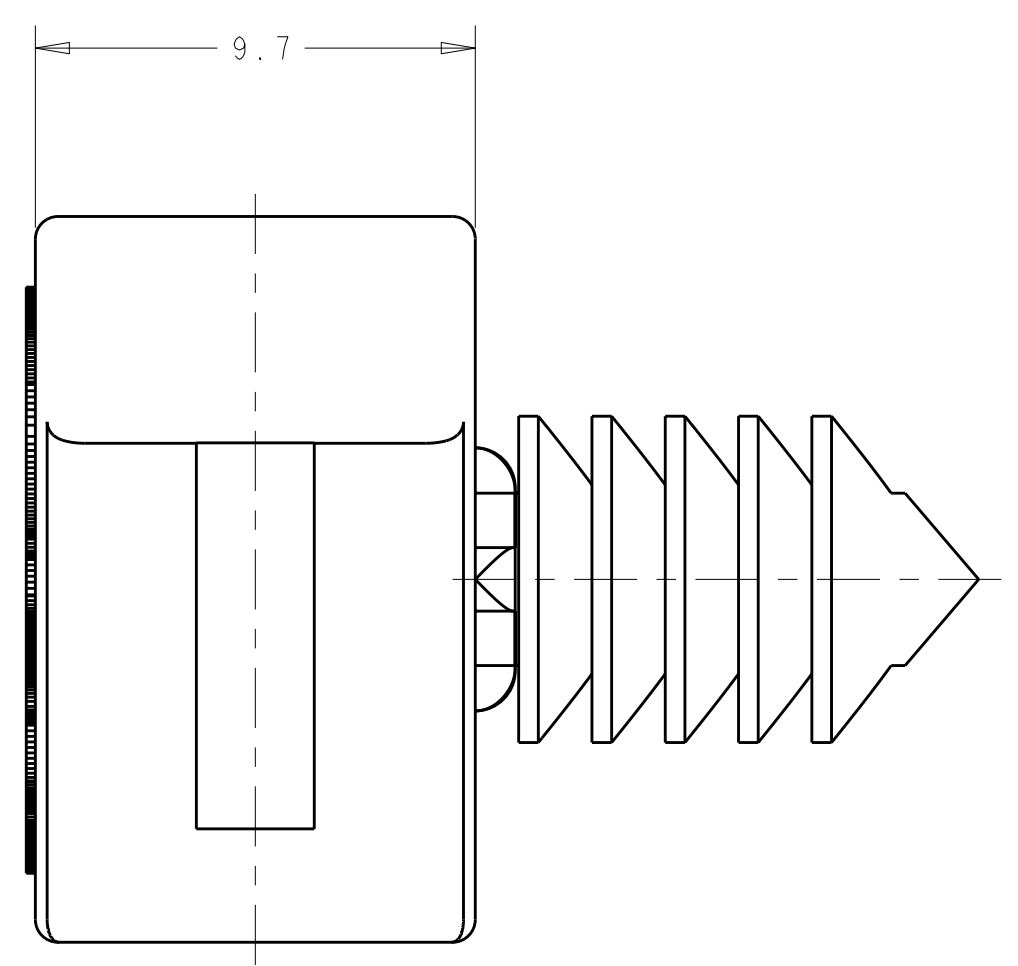
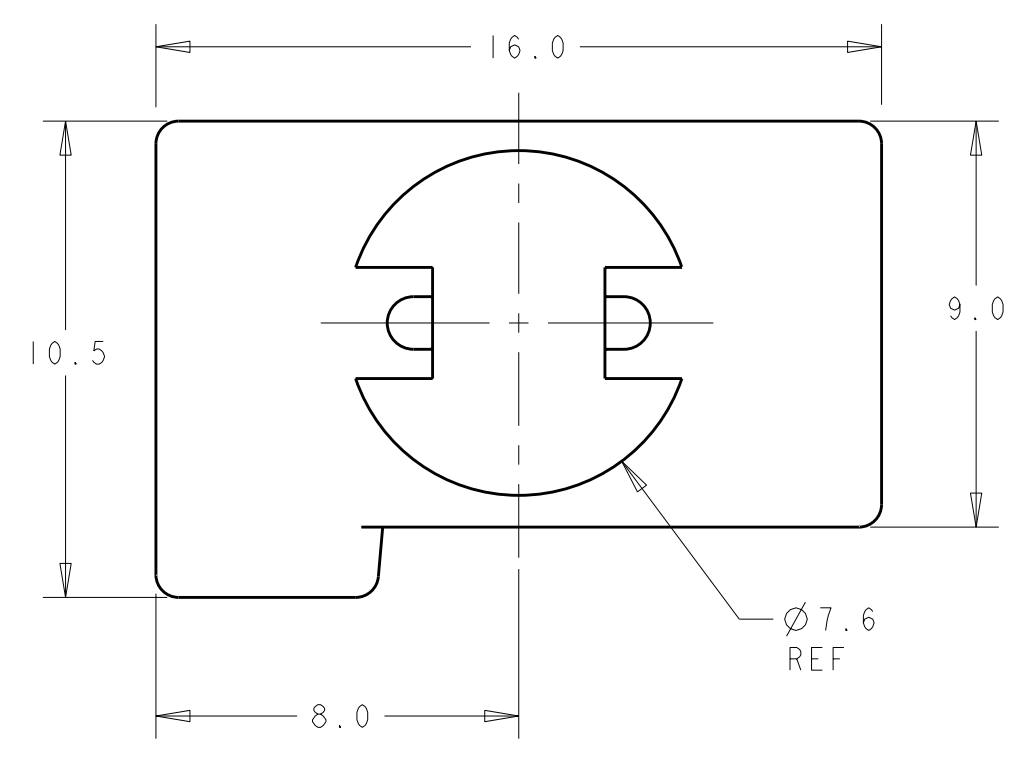
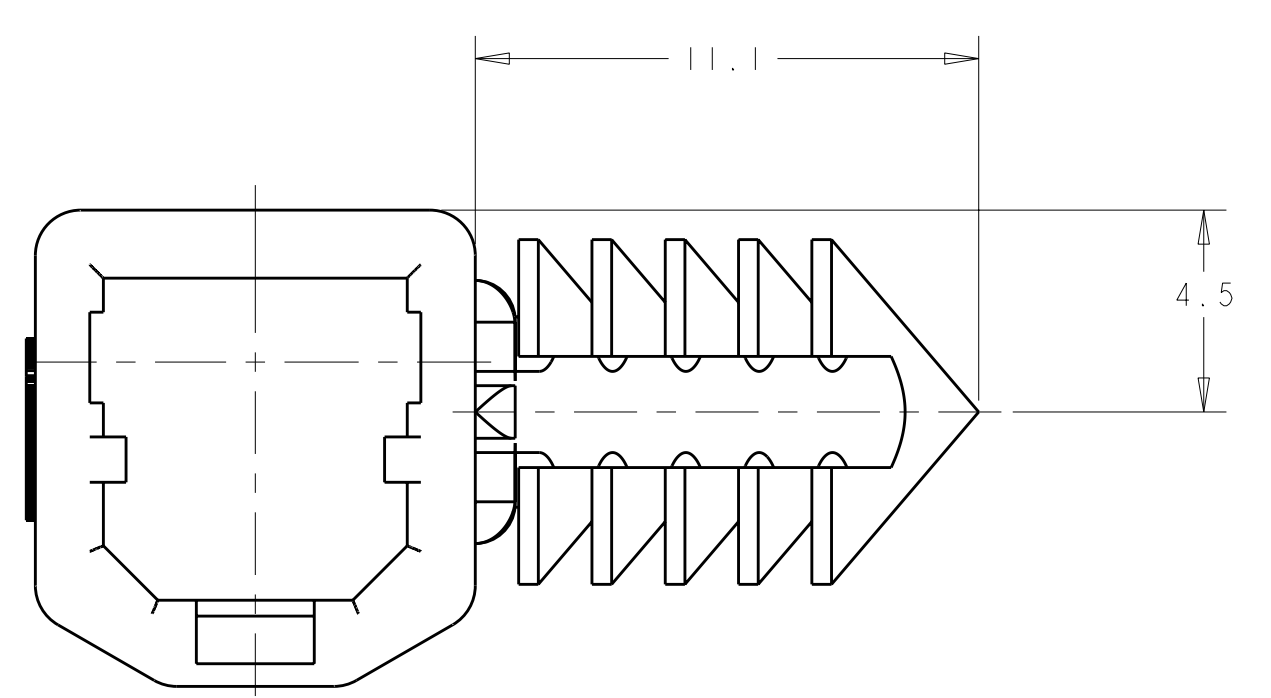
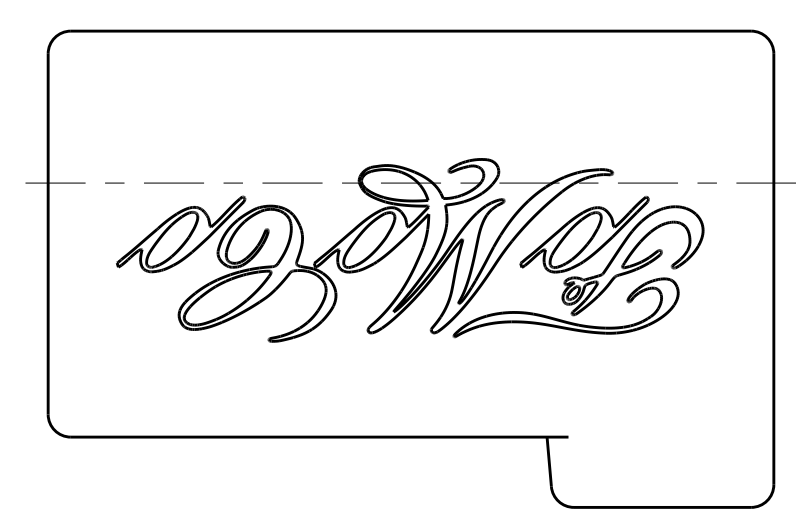


LOC	DIST	REVISIONS			
P	LTR	DESCRIPTION	DATE	OWN	APVD
04		REVISED	08OCT2002	LBP	SA
A		REVISED PER EC# 0K80-0360-02	20DEC2002	LBP	SSA
A1		REV PER ECR-10-008554	21APR2010	VSS	SA



- NOTES:
 1. DELETE CAP FOR PN 174056.
 2. RECOMMENDED MOUNTING HOLE 6.5 MM DIA.
 RECOMMENDED PANEL THICKNESS 0.56-5.10MM.



PANEL DETAIL
 PANEL THICKNESS TO BE 0.56-5.10

BLACK	NYLON	1438381-2
COLOR	MATERIAL	PART NUMBER

<small>THIS DRAWING IS UNPUBLISHED. RELEASED FOR PUBLICATION BY TYCO ELECTRONICS CORPORATION. ALL RIGHTS RESERVED. THIS IS SUBJECT TO CHANGE WITHOUT NOTICE AND WITHOUT OBLIGATION. SHOULD BE CONTACTED FOR THE LATEST REVISION.</small>		DWN J MCNEAL 29JUL2002 CHK S ASHLEY 29JUL2002 APVD S ASHLEY 29JUL2002	Tyco Electronics Harrisburg, PA 17105-3608
DIMENSIONS: mm 		TOLERANCES UNLESS OTHERWISE SPECIFIED: 0 PLC ± 1 PLC ±0.5 2 PLC ±0.5 3 PLC ± 4 PLC ± ANGLES ±1° FINISH	NAME: DELETE CAP 040 SERIES MULTILOCK 2 POSN CAP HOUSING PRODUCT SPEC APPLICATION SPEC WEIGHT CUSTOMER DRAWING
MATERIAL: - FINISH: -		SIZE: A1 CAGE CODE: 00779 DRAWING NO: C=1438381	RESTRICTED TO: - SCALE: 4:1 SHEET: 1 OF 1 REV: A1

单击下面可查看定价，库存，交付和生命周期等信息

[>>TE Connectivity\(泰科\)](#)