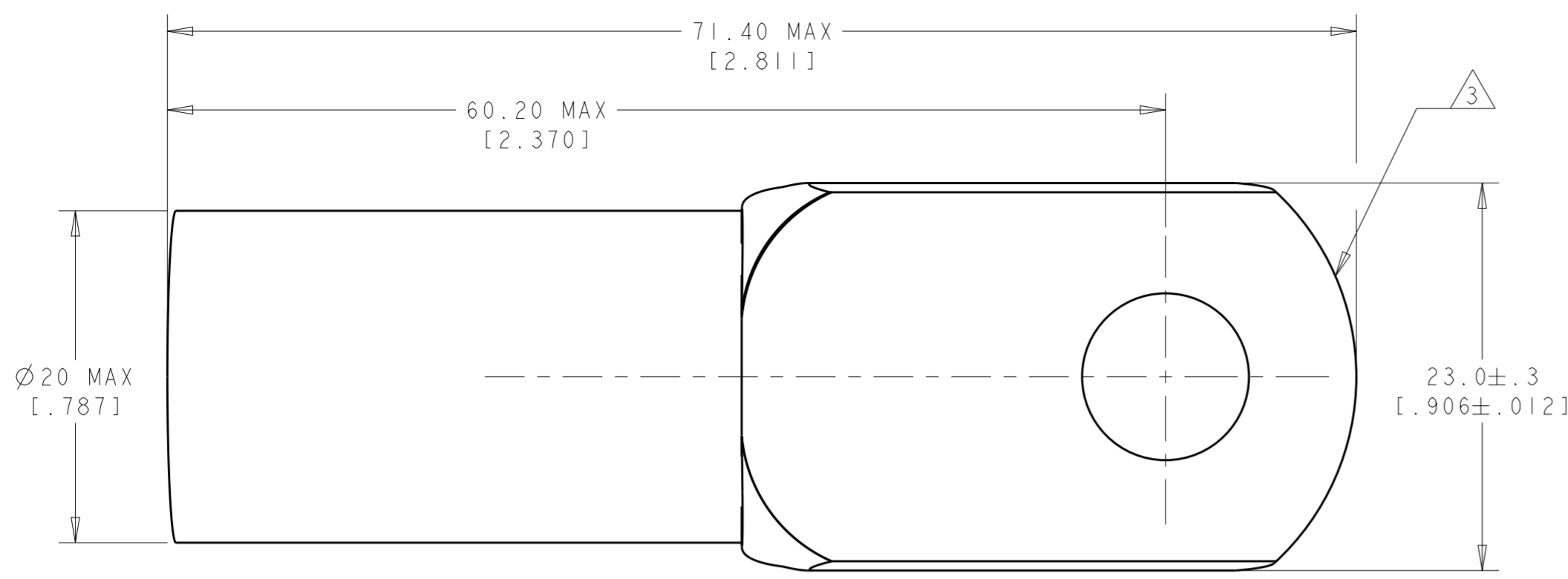
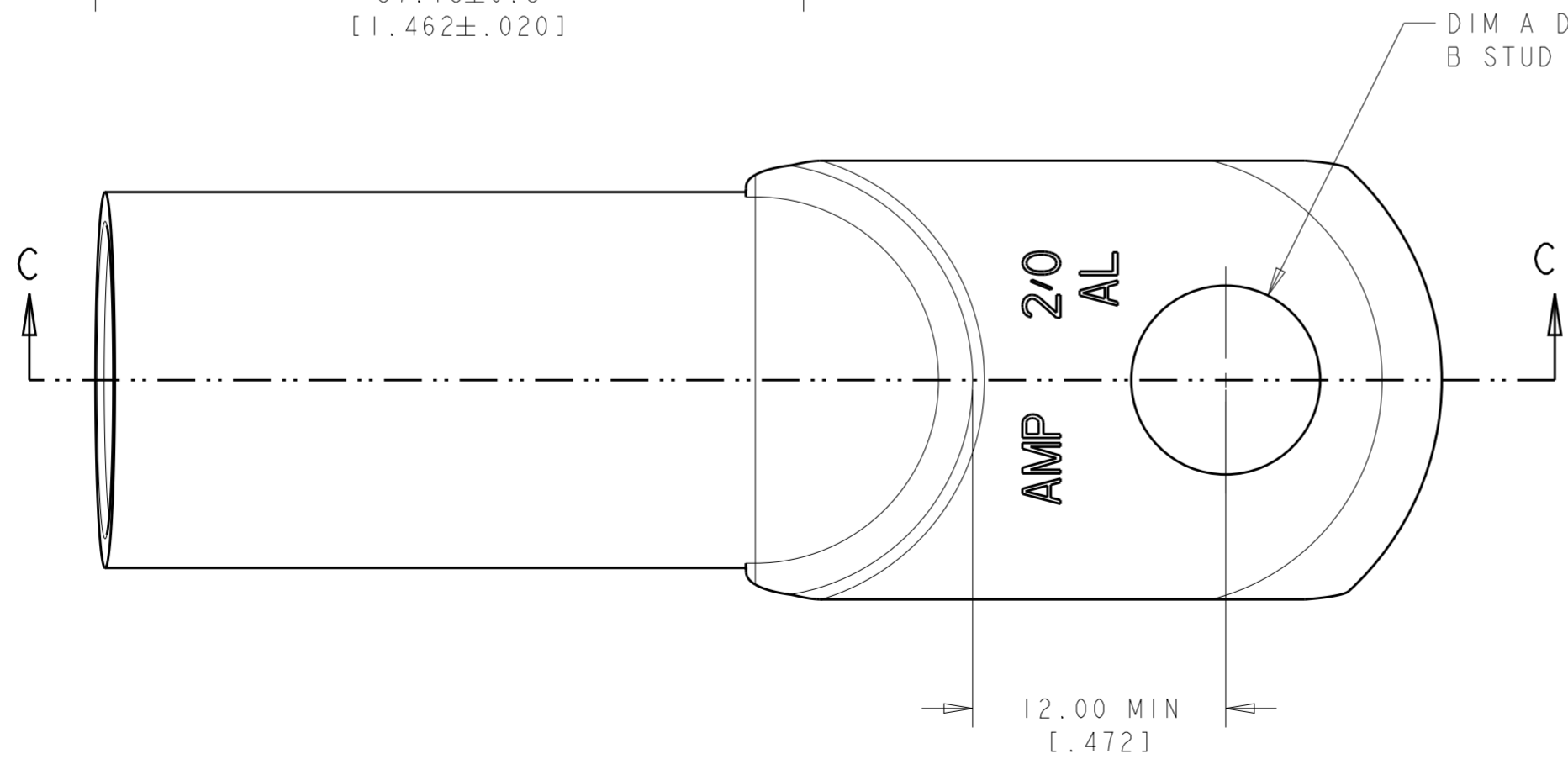
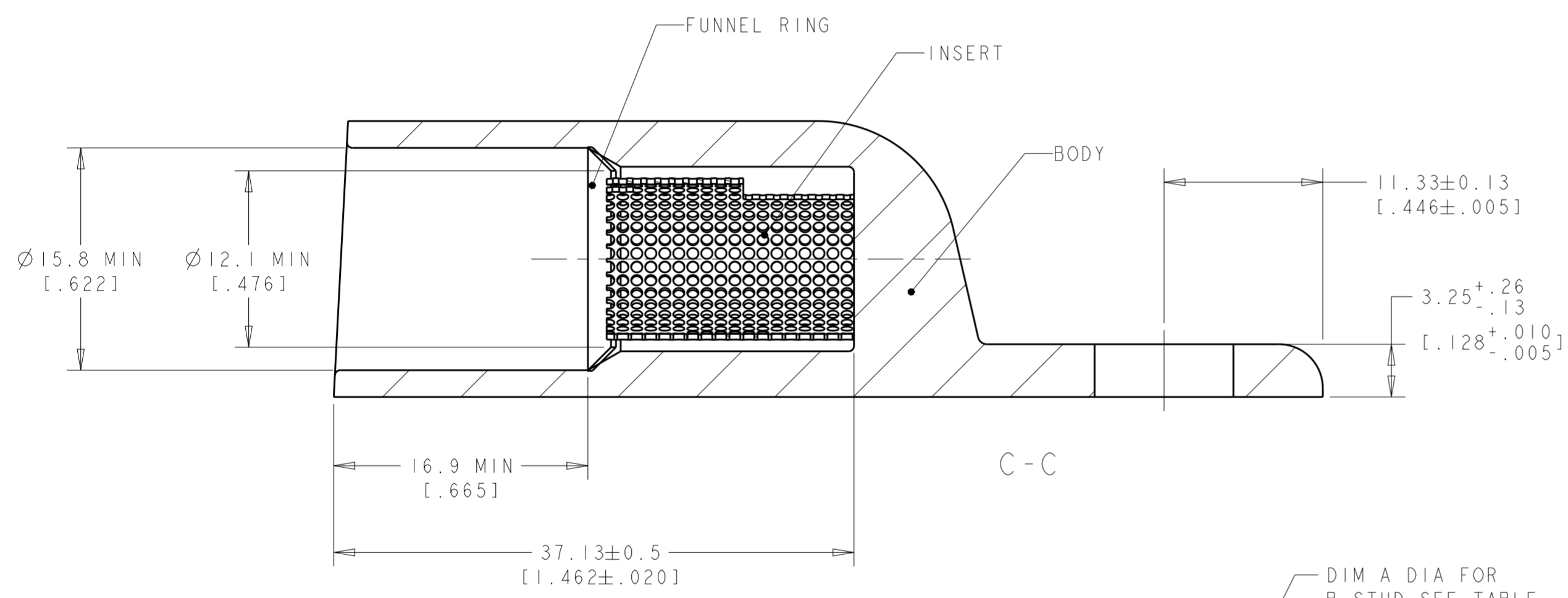


THIS DRAWING IS UNPUBLISHED. RELEASED FOR PUBLICATION 20
 © COPYRIGHT 20 BY - ALL RIGHTS RESERVED.

REVISIONS				
P	LTR	DESCRIPTION	DATE	APVD
	M	REV PER ECO 20-002238	7-22-20	CT PD



- 1: WIRE INSULATION : 12.7[.500]-14.0[.551]
- 2: ALUMINUM WIRE CMA: 119500 - 150500
ALUMINUM WIRE mm²: 60.55 - 76.26
- 3: TONGUE RADIUS FEATURE IS NOT A TOOLING CONTROLLED DIMENSION AND MAY NOT BE A TRUE RADIUS



WEIGHT	DIM A	B	MATERIAL&FINISH	PART NUMBER	
80 gms	6.73+/-0.13 [.265+/-0.005]	1/4 or M6	BODY: COPPER ASTM B187 ANNEALED TIN PLATE .00381[.000150] MIN THICK PER MIL-T-10727	134594-4	OBSOLETE
79 gms	8.34±0.13 [.328±.005]	5/16 or M8	INSERT&FUNNEL: BRASS ASTM B36 NICKEL PLATE SAE AMS QQ-N-290A, DATED JULY 2000, .00254 [0.000100] MIN THICK	134594-3	
78 gms	10.04±0.13 [.395±.005]	3/8 or M10		134594-1	

THIS DRAWING IS A CONTROLLED DOCUMENT.

DWN	JJ DESPRETZ	24 JUN 2004
CHK	G-ROBERT	24 JUN 2004
APVD	Y PETRONIN	24 JUN 2004

STE TE Connectivity

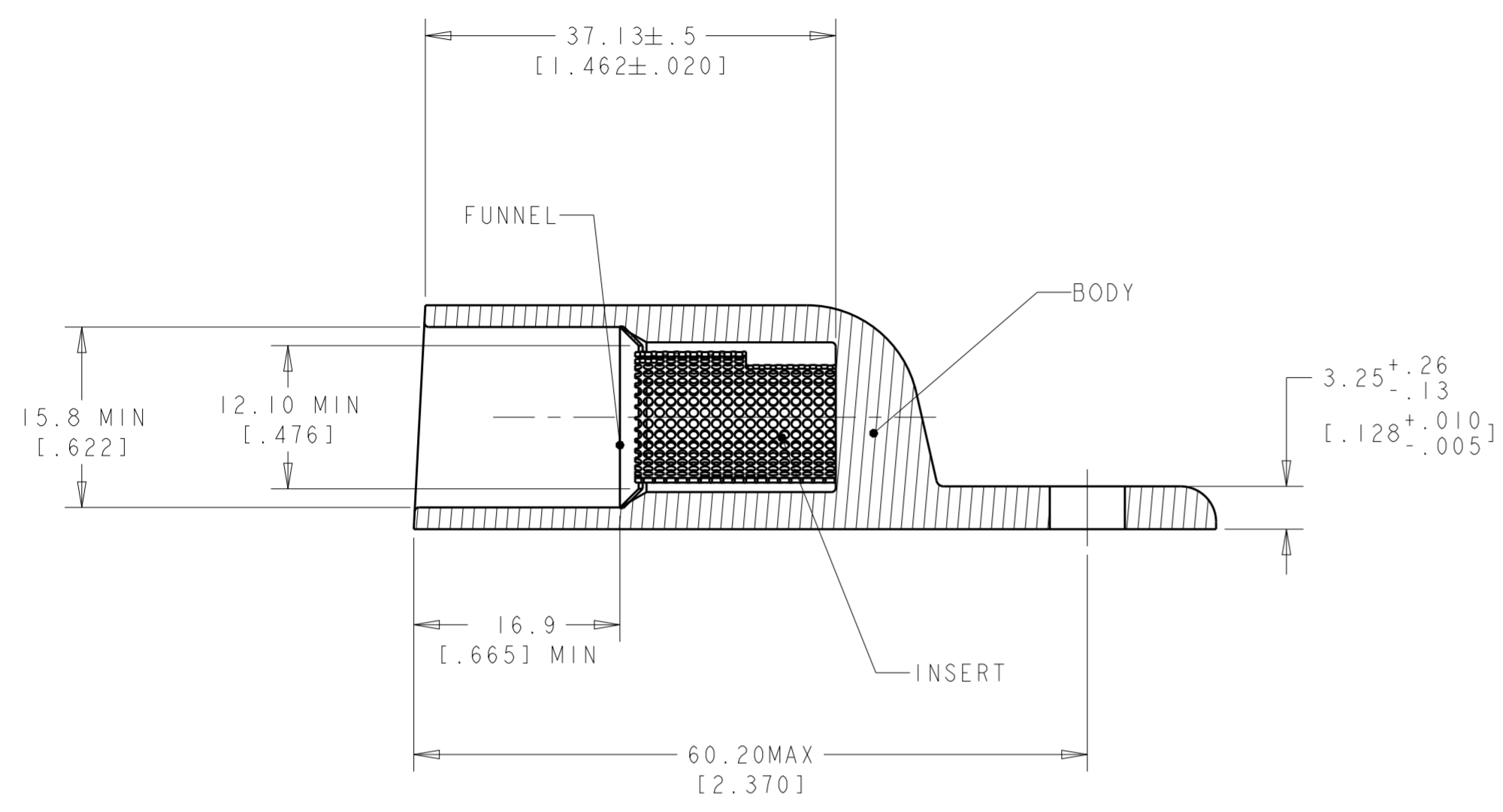
NAME: SEALED COPALUM ASSEMBLY 2/0 AL

SIZE	A2	CAGE CODE	-	DRAWING NO	C-134594	RESTRICTED TO	
SCALE	2:1	SHEET	1	OF	4	REV	M

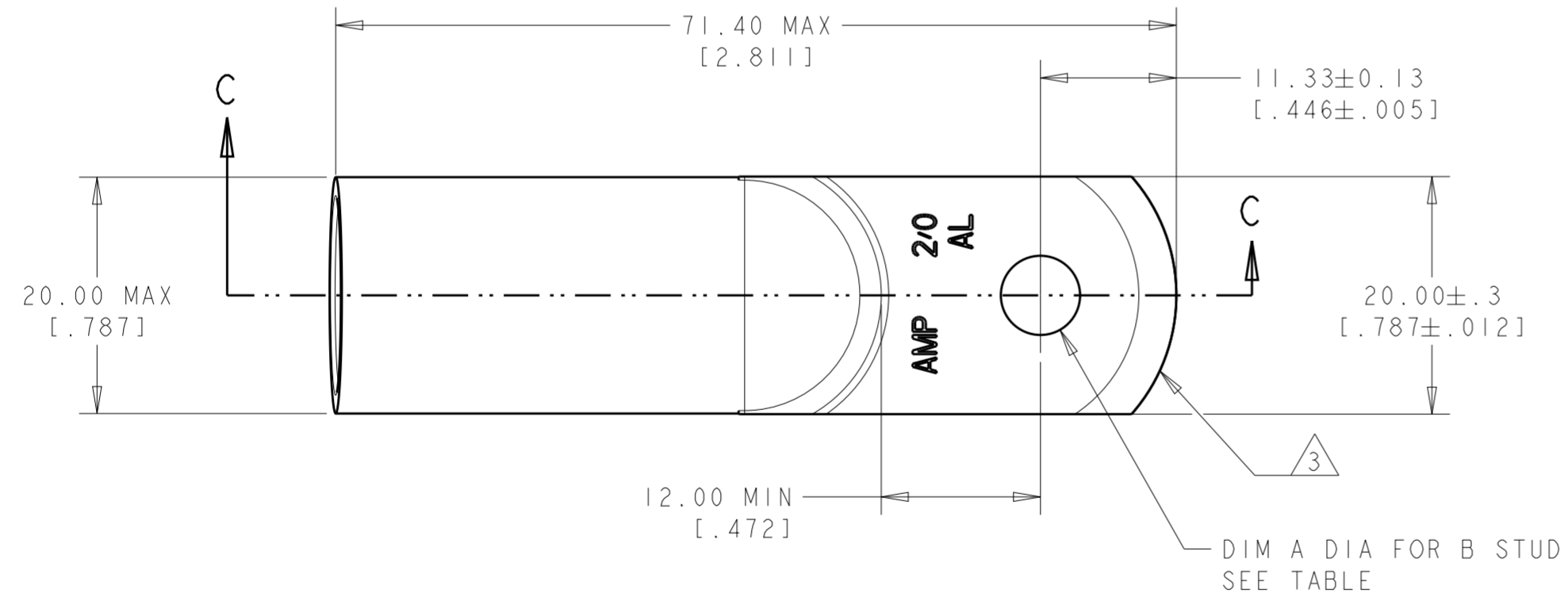
CUSTOMER DRAWING

THIS DRAWING IS UNPUBLISHED. RELEASED FOR PUBLICATION 20
 © COPYRIGHT 20 BY - ALL RIGHTS RESERVED.

REVISIONS				
P	LTR	DESCRIPTION	DATE	APVD
-	-	SEE SHEET 1	-	-



SECTION C-C



- 1: WIRE INSULATION : 12.7[.500]-14.0[.551]
- 2: ALUMINUM WIRE CMA: 119500 - 150500
ALUMINUM WIRE mm²: 60.55 - 76.26
- 3: TONGUE RADIUS FEATURE IS NOT A TOOLING CONTROLLED DIMENSION AND MAY NOT BE A TRUE RADIUS

77 grams	8.34+/-0.13 [.328+/-0.005]	5/16 or M8	BODY: COPPER ASTM B187 ANNEALED TIN PLATE .00381[.000150] MIN THICK PER MIL-T-10727	134594-6
78 grams	6.73+/-0.13 [.265+/-0.005]	1/4 or M6	INSERT&FUNNEL: BRASS ASTM B36 NICKEL PLATE SAE AMS QQ-N-290A, DATED JULY 2000, .00254 [0.000100] MIN THICK	134594-2
WEIGHT	DIM A	B	MATERIAL&FINISH	PART NUMBER

THIS DRAWING IS A CONTROLLED DOCUMENT.

DWN: JJ DESPRETZ 24 JUN 2004
 CHK: G-ROBERT 24 JUN 2004
 APVD: Y PETRONIN 24 JUN 2004

STE TE Connectivity

NAME: SEALED COPALUM ASSEMBLY 2/O AL

SIZE: A2 CAGE CODE: - DRAWING NO: 134594 RESTRICTED TO: -

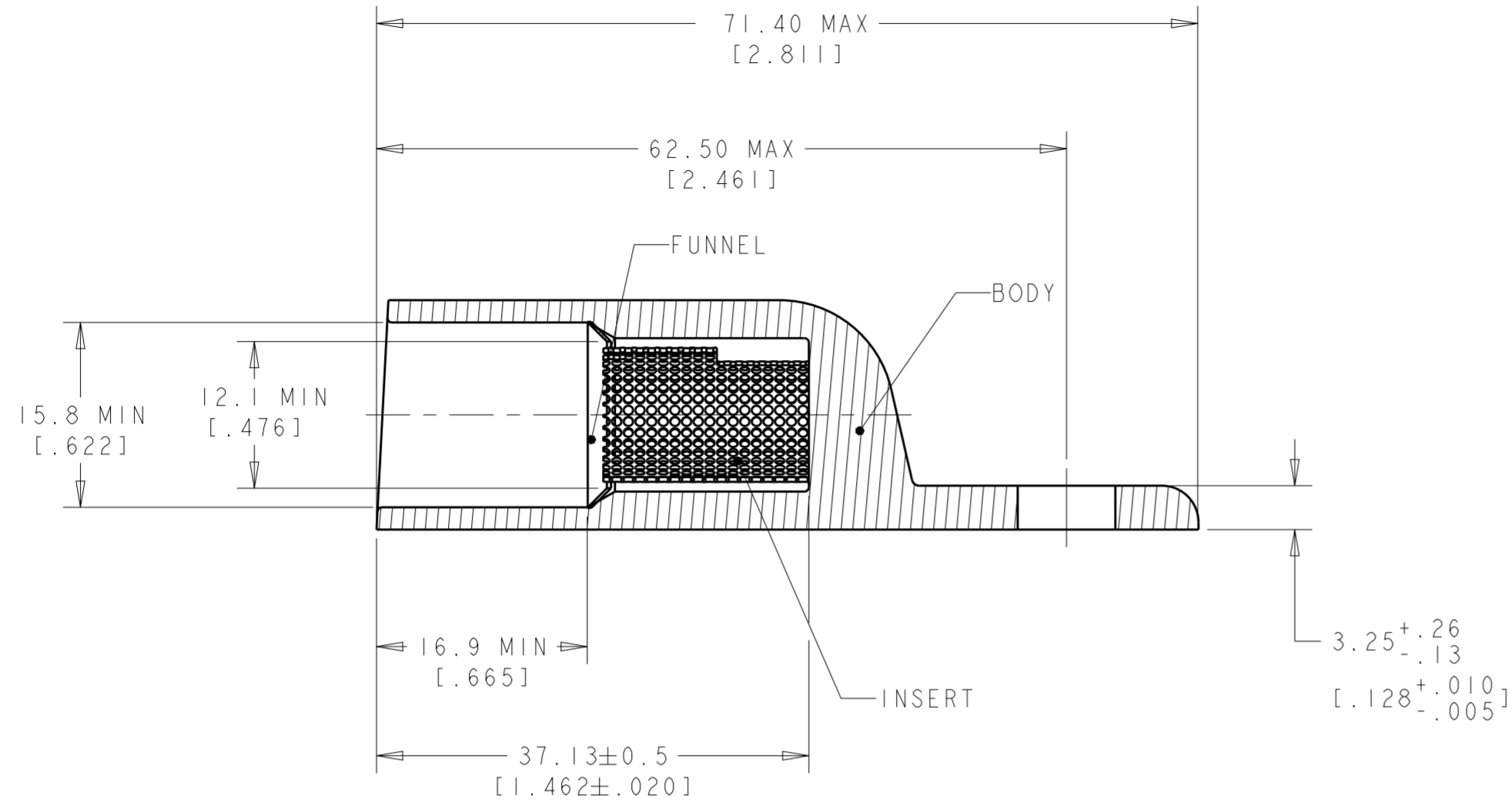
MATERIAL: - DIMENSIONS: mm [Inches] TOLERANCES UNLESS OTHERWISE SPECIFIED: 0 PLC ±0.3 1 PLC ±0.3 2 PLC ±0.13 3 PLC ± 4 PLC ± ANGLES ±5 FINISH -

PRODUCT SPEC: - APPLICATION SPEC: - WEIGHT: -

CUSTOMER DRAWING SCALE: 2:1 SHEET: 2 OF 4 REV: M

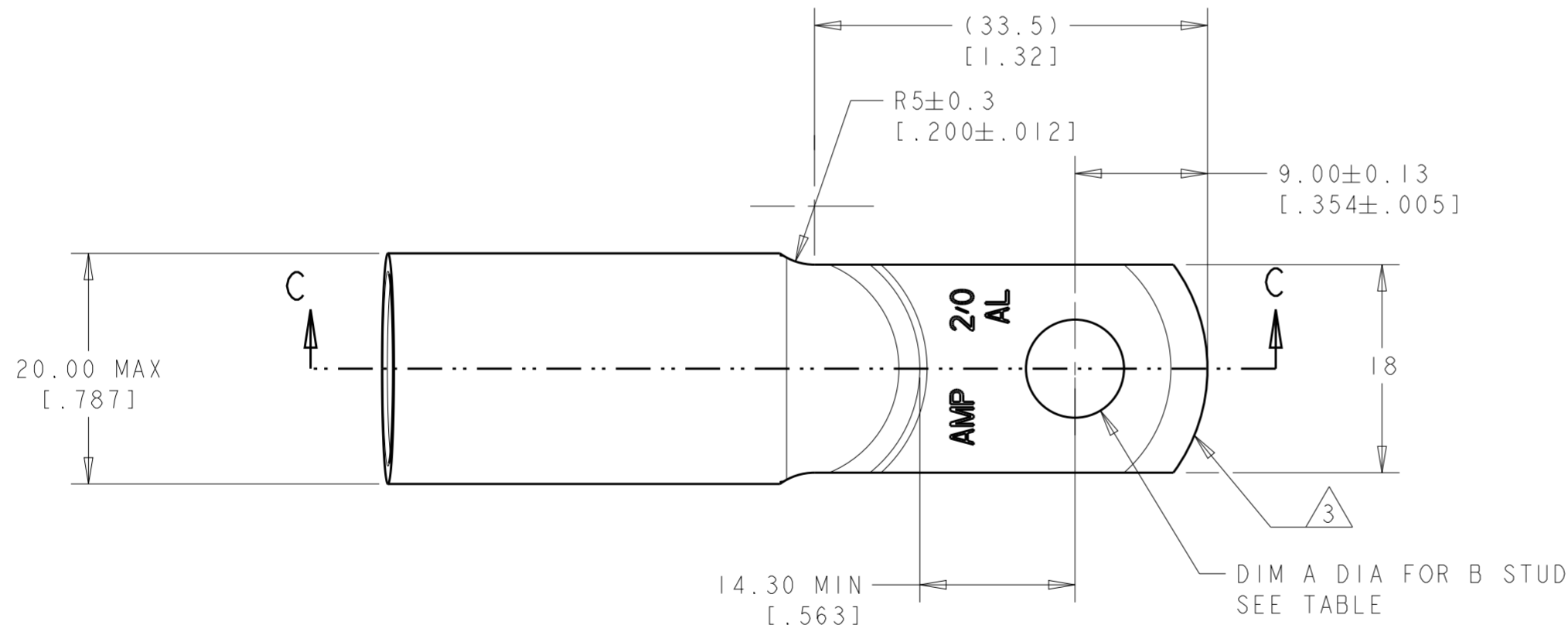
THIS DRAWING IS UNPUBLISHED. RELEASED FOR PUBLICATION 20
 © COPYRIGHT 20 BY - ALL RIGHTS RESERVED.

REVISIONS				
P	LTR	DESCRIPTION	DATE	APVD
-	-	SEE SHEET 1	-	-



SECTION C-C

- 1: WIRE INSULATION : 12.7[.500]-14.0[.551]
- 2: ALUMINUM WIRE CMA: 119500 - 150500
ALUMINUM WIRE mm²: 60.55 - 76.26
- 3: TONGUE RADIUS FEATURE IS NOT A TOOLING CONTROLLED DIMENSION AND MAY NOT BE A TRUE RADIUS

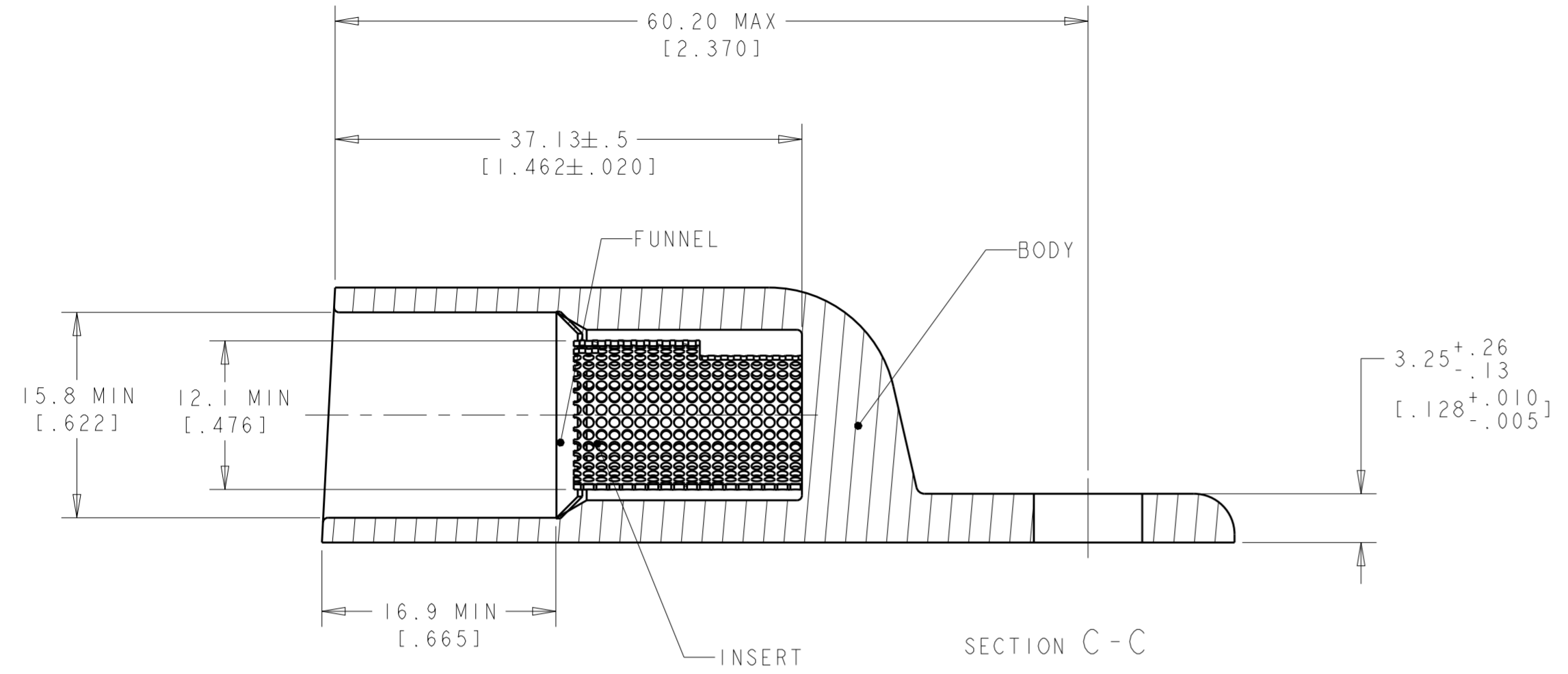


77 grams	8.34±0.13 [.328±.005]	5/16 or M8	BODY: COPPER ASTM B187 ANNEALED TIN PLATE .00381[.000150] MIN THICK PER MIL-T-10727 INSERT&FUNNEL: BRASS ASTM B36 NICKEL PLATE SAE AMS QQ-N-290A, DATED JULY 2000, .00254 [.000100] MIN THICK	134594-5
WEIGHT	DIM A	B	MATERIAL&FINISH	PART NUMBER

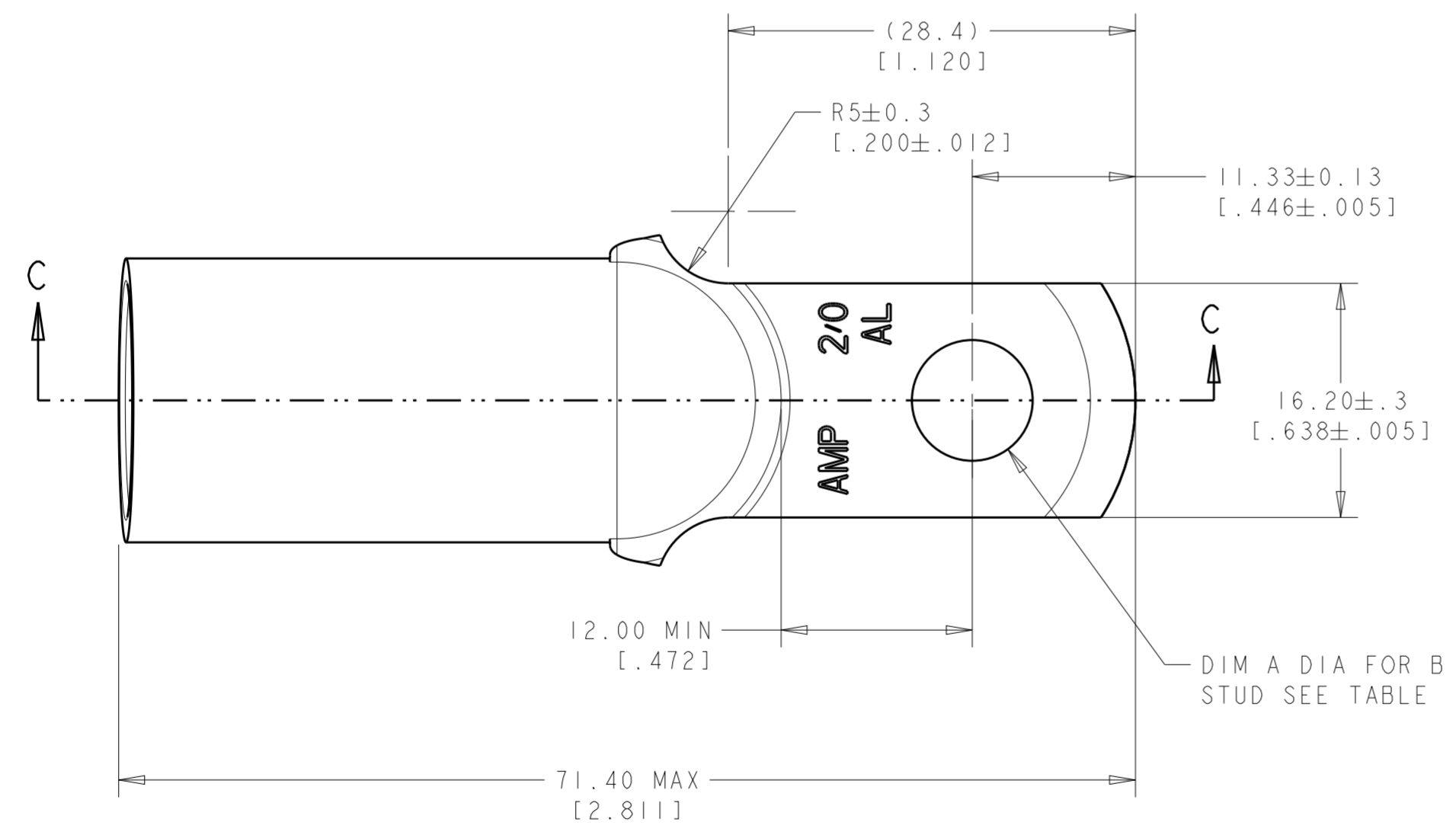
THIS DRAWING IS A CONTROLLED DOCUMENT.		DWN JJ DESPRETZ 24 JUN 2004	TE Connectivity	
DIMENSIONS: mm [Inches]		CHK G-ROBERT 24 JUN 2004		
TOLERANCES UNLESS OTHERWISE SPECIFIED:		APVD Y PETRONIN 24 JUN 2004	NAME SEALED COPALUM ASSEMBLY 2/0 AL	
0 PLC ±0.3	1 PLC ±0.3	PRODUCT SPEC -	SIZE A2	
2 PLC ±0.13	3 PLC ±	APPLICATION SPEC -	CAGE CODE -	DRAWING NO C-134594
4 PLC ±	ANGLES ±5	FINISH -	WEIGHT -	RESTRICTED TO
MATERIAL -	FINISH -	CUSTOMER DRAWING	SCALE 2:1	SHEET 3 OF 4 REV M

THIS DRAWING IS UNPUBLISHED. RELEASED FOR PUBLICATION 20
 © COPYRIGHT 20 BY - ALL RIGHTS RESERVED.

REVISIONS				
P	LTR	DESCRIPTION	DATE	APVD
-	-	SEE SHEET 1	-	-



- 1: WIRE INSULATION : 12.7[.500]-14.0[.551]
 - 2: ALUMINUM WIRE CMA: 119500 - 150500
ALUMINUM WIRE mm²: 60.55 - 76.26
- ⚠ TONGUE RADIUS FEATURE IS NOT A TOOLING CONTROLLED DIMENSION AND MAY NOT BE A TRUE RADIUS



76 grams	8.34±0.13 [.328±.005]	5/16 or M8	BODY: COPPER ASTM B187 ANNEALED TIN PLATE .00381[.000150] MIN THICK PER MIL-T-10727 INSERT&FUNNEL: BRASS ASTM B36 NICKEL PLATE SAE AMS QQ-N-290A, DATED JULY 2000, .00254 [.000100] MIN THICK	134594-7
WEIGHT	DIM A	B	MATERIAL&FINISH	PART NUMBER

THIS DRAWING IS A CONTROLLED DOCUMENT.

DWN: JJ. DESPRETZ 24 JUN 2004
 CHK: G-ROBERT 24 JUN 2004
 APVD: Y. PETRONIN 24 JUN 2004

STE TE Connectivity

NAME: SEALED COPALUM ASSEMBLY 2/0 AL

SIZE: A2 CAGE CODE: - DRAWING NO: C-134594 RESTRICTED TO: -

MATERIAL: - DIMENSIONS: mm [Inches] TOLERANCES UNLESS OTHERWISE SPECIFIED: 0 PLC ±0.3 1 PLC ±0.3 2 PLC ±0.13 3 PLC ±- 4 PLC ±- ANGLES ±5 FINISH -

CUSTOMER DRAWING SCALE: 2:1 SHEET: 4 OF 4 REV: M

单击下面可查看定价，库存，交付和生命周期等信息

[>>TE Connectivity\(泰科\)](#)