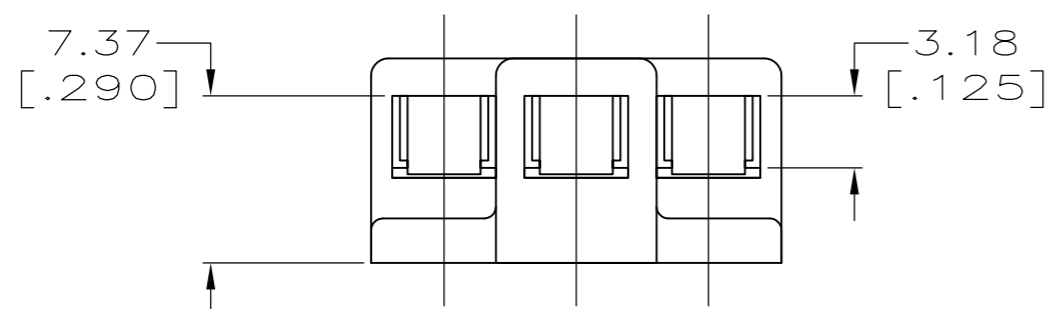
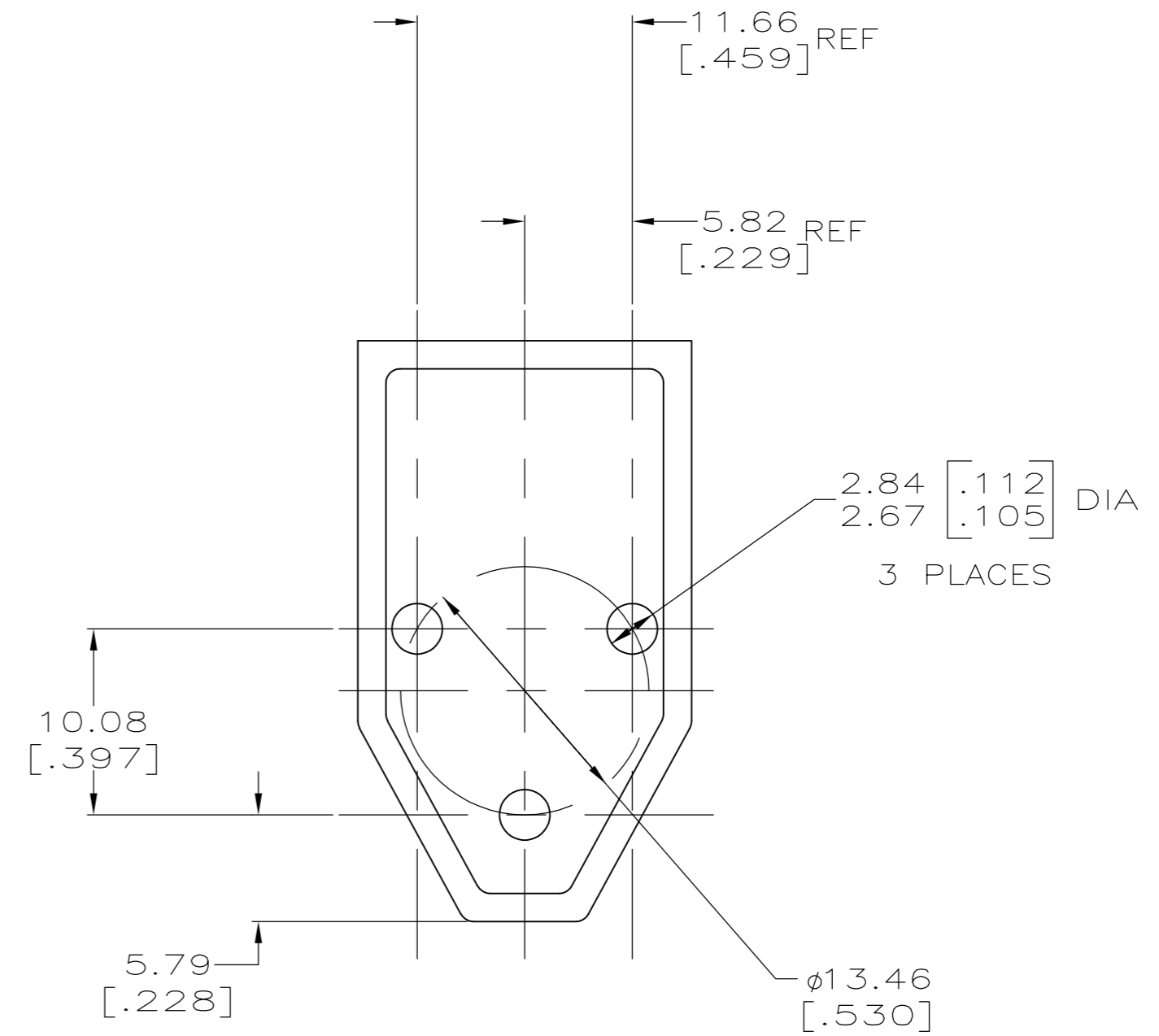
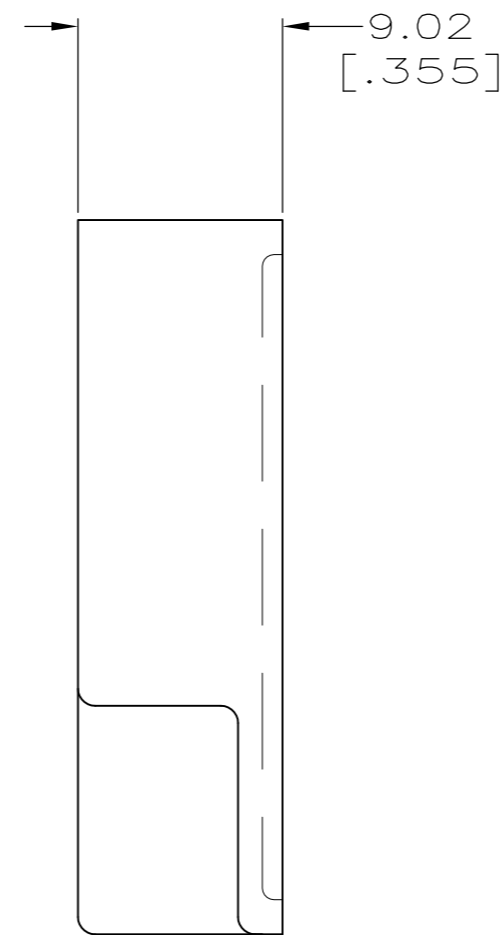
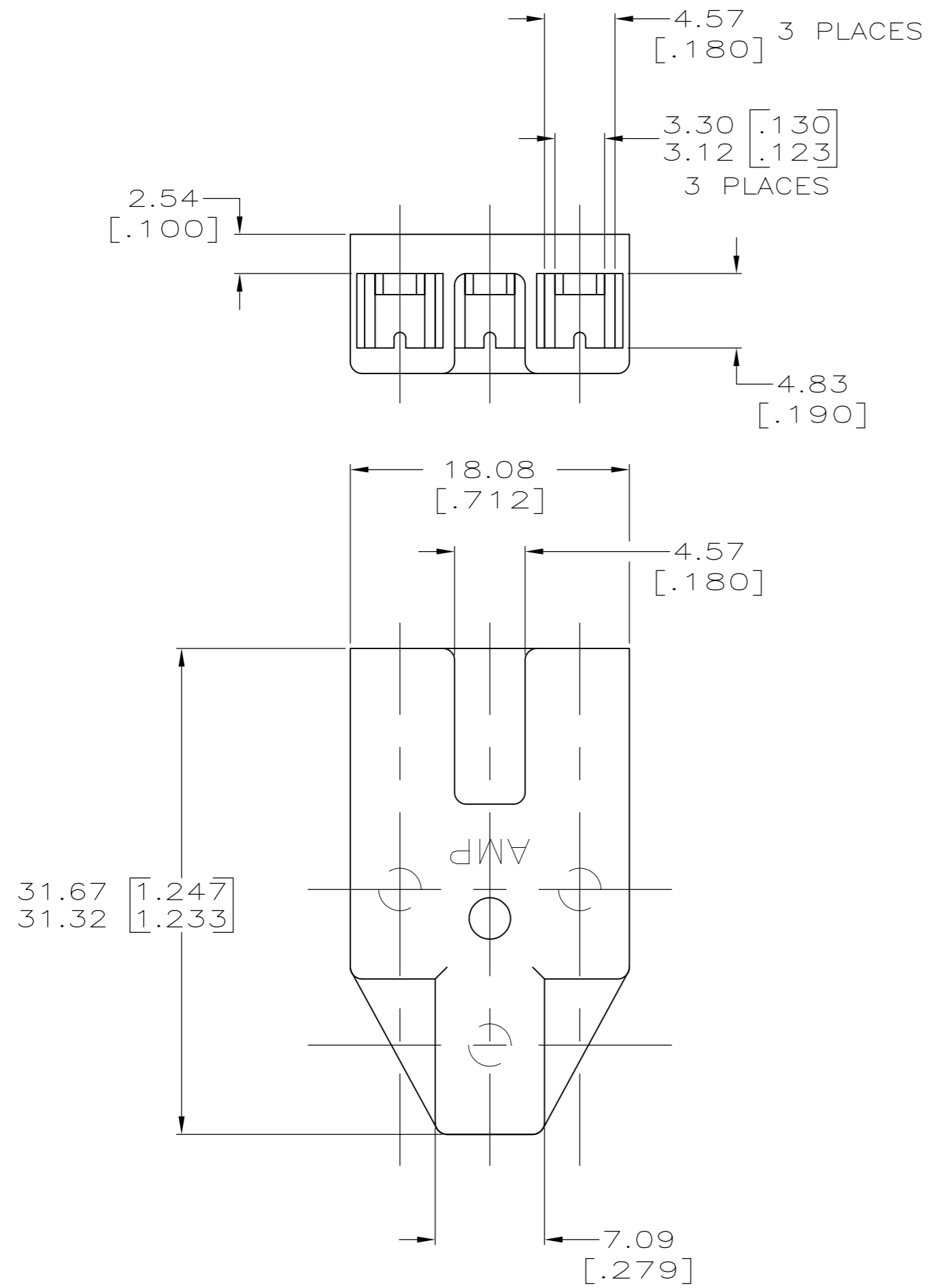


THIS DRAWING IS UNPUBLISHED. RELEASED FOR PUBLICATION  
 © COPYRIGHT BY TYCO ELECTRONICS CORPORATION. ALL INTERNATIONAL RIGHTS RESERVED.

LOC	DIST	REVISIONS			
P	LTR	DESCRIPTION	DATE	DWN	APVD
AF	50				
C		REVISED PER ECR-09-006862	12AUG09	HMR	GJ

1 HOUSING ACCEPTS 2.29 [.090] DIA CLUSTER BLOCK PIN RECEPTACLE.



1217263-1  
PART NUMBER

THIS DRAWING IS A CONTROLLED DOCUMENT.		DWN MICHAEL S. FEHER 12NOV1999	Tyco Electronics Corporation Harrisburg, PA 17105-3608	
DIMENSIONS: mm [INCHES]		CHK PETE DESANTIS 12NOV1999	NAME HOUSING, CLUSTER BLOCK, 2.29 [.090] DIA	
TOLERANCES UNLESS OTHERWISE SPECIFIED:		APVD PETE DESANTIS 12NOV1999	RESTRICTED TO	
0 PLC ± -		PRODUCT SPEC 108-2008	SIZE A2	CAGE CODE 00779
1 PLC ± -		APPLICATION SPEC 114-2019	DRAWING NO C=1217263	SCALE 3:1
2 PLC ± 0.25[.010]		WEIGHT -	SHEET 1 OF 1	REV C
3 PLC ± -		RESTRICTED CUSTOMER		
4 PLC ± -				
ANGLES ± 3°				
FINISH NATURAL				
MATERIAL PBT UNFILLED				

单击下面可查看定价，库存，交付和生命周期等信息

[>>TE Connectivity\(泰科\)](#)