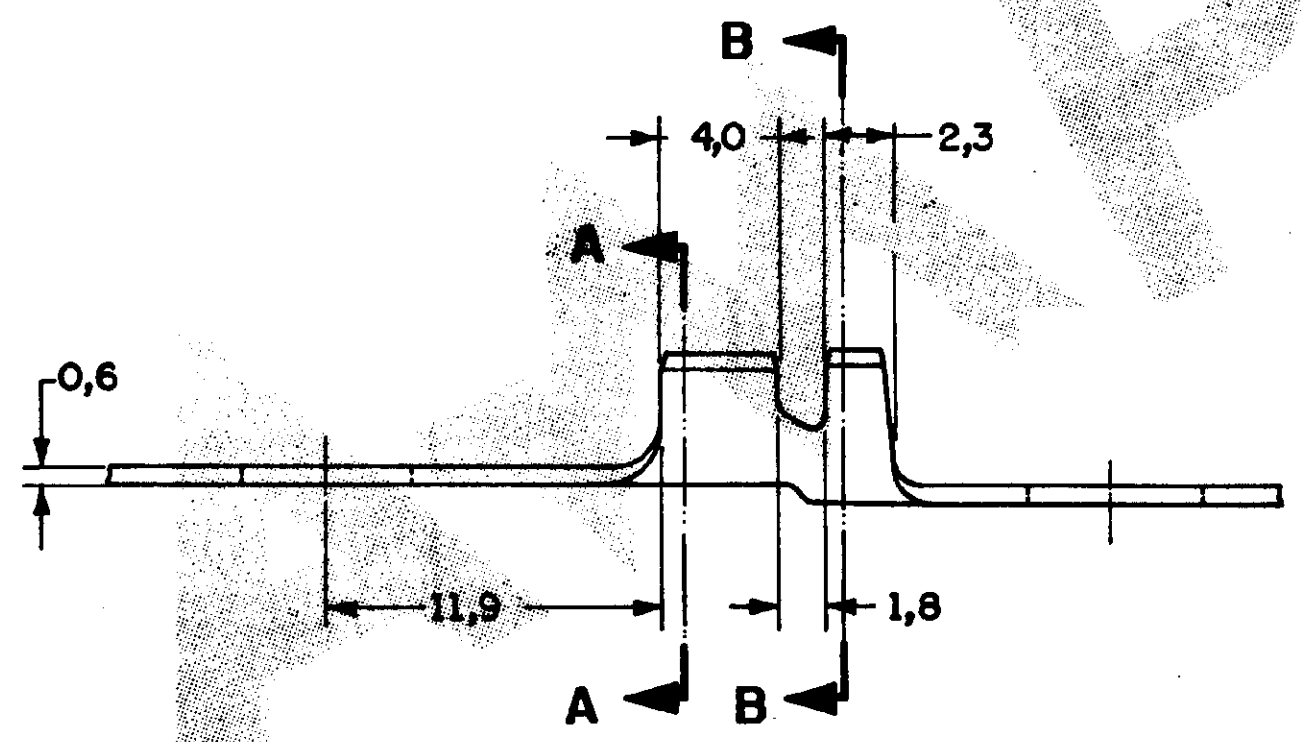
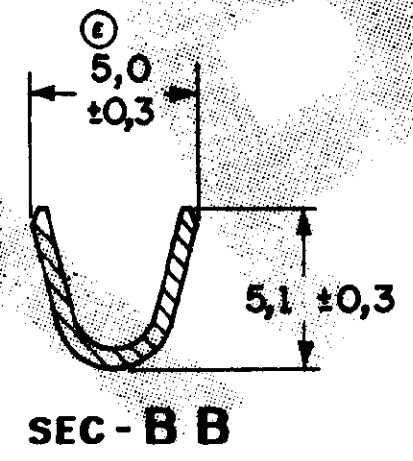
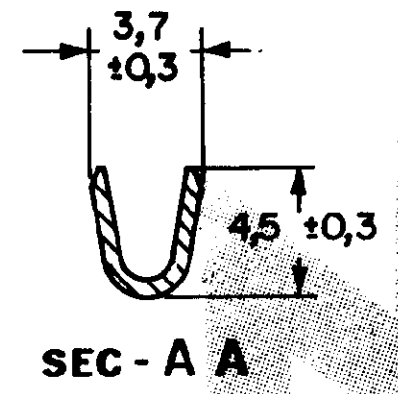
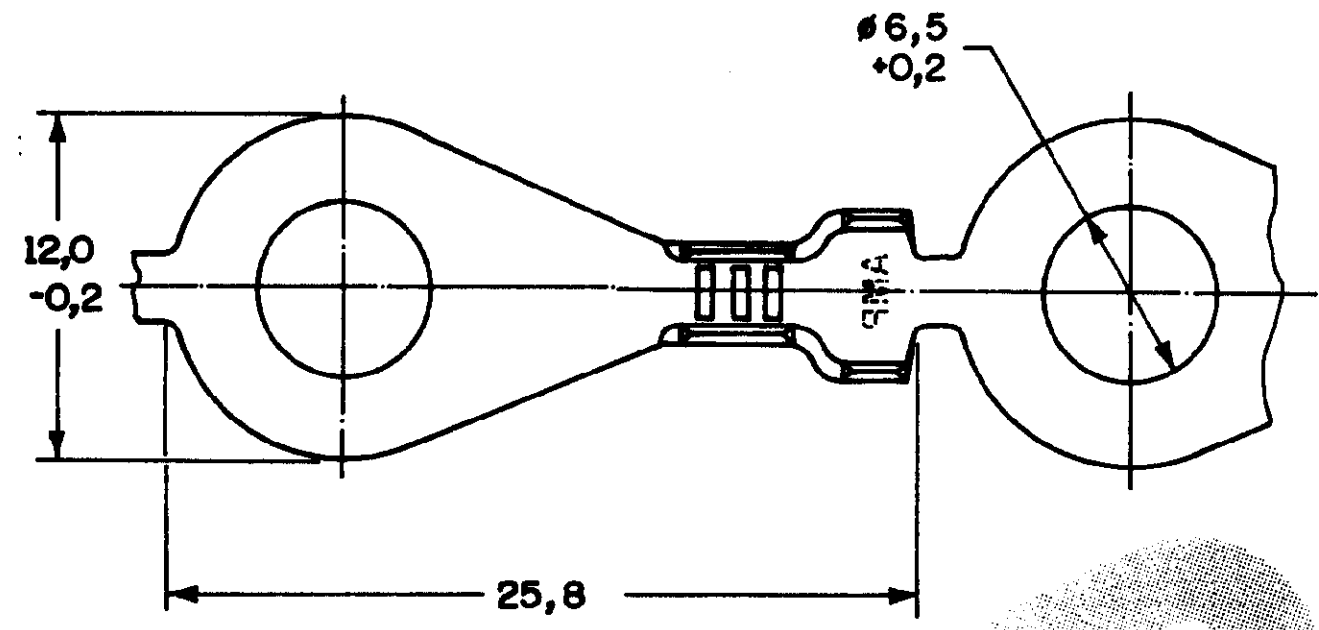


C626034

DO NOT SCALE  
DIMENSIONS IN

**METRIC**

3rd ANGLE PROJECTION



OB SOLETE	ESTANHADO	PHOSPHOR BRONZE	626034-4
OB SOLETE		PHOSPHOR BRONZE	626034-3
	ESTANHADO	LATAO	626034-2
		LATAO	626034-1
FINISH		MATERIAL	PART NUMBER
THIS DRAWING IS UNPUBLISHED RELEASED FOR PUBLICATION			
© COPYRIGHT IS BY AMP DO BRASIL LTDA S.P. ALL INTERNATIONAL RIGHTS RESERVED AMP PRODUCTS MAY BE COVERED BY U.S. AND FOREIGN PATENTS AND/OR PATENTS PENDING.			
TOLERANCES UNLESS OTHERWISE STATED		INS. DIA. RANGE	WIRE RANGE
DEC. ± 0,3		2,2-3,8mm	1,0-2,5mm <sup>2</sup>
ANGLES ± 1°		SCALE 4:1	
DR. M.R. Briz 07-Jan-92		AMP do BRASIL LTDA. São Paulo, Brasil	
CHK. <i>[Signature]</i> 08-01-92		DESCRIPTION	
E1 REV. BY ECO 17-000291 HC HC 12JAN17		RING TONGUE	
E REDES. C/NDM. ROK KON 1876 M.R. Briz 7.1.92		A3 DWG NO C626034	
REVISION	RECORD	DR	CHK
			DATE
APP. <i>[Signature]</i> JAN 8, 1992		SHEET 10/11	

单击下面可查看定价，库存，交付和生命周期等信息

[>>TE Connectivity\(泰科\)](#)