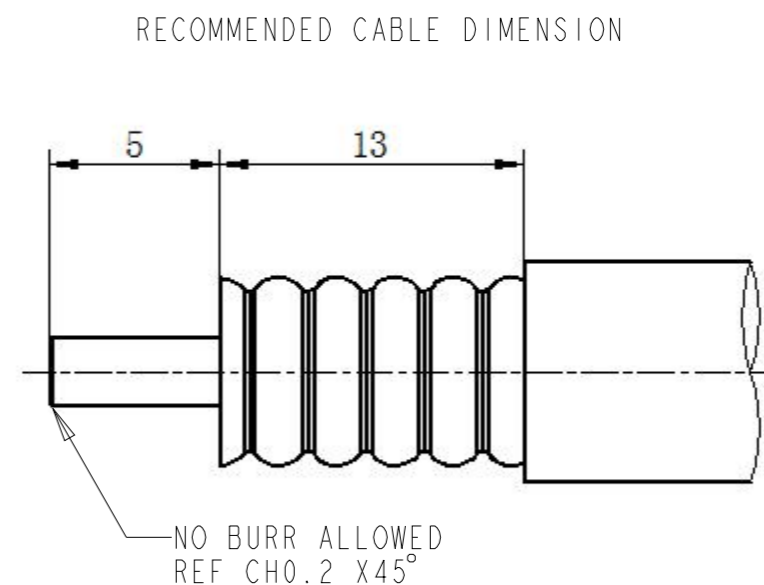
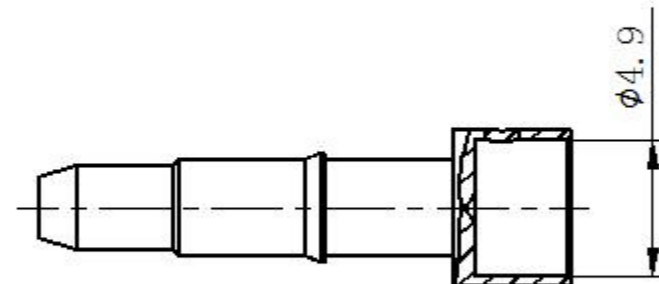
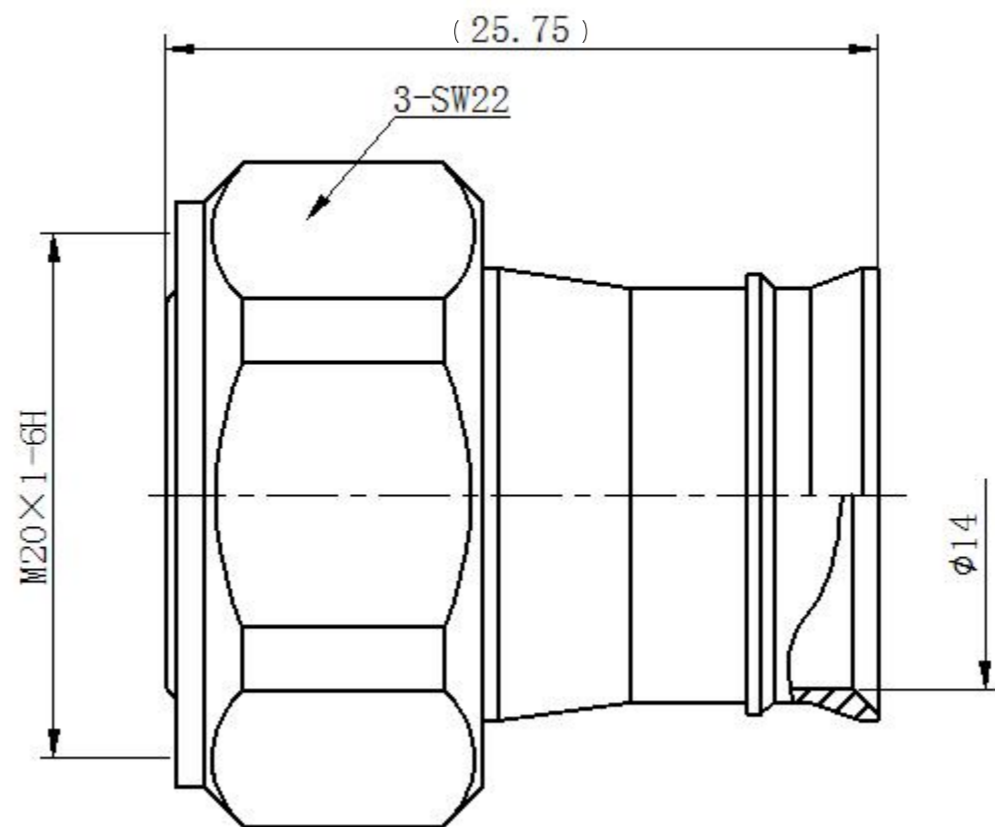


ELECTRICAL
IMPEDANCE <u>50 Ohm</u>
FREQUENCY RANGE <u>DC to 6GHz</u>
INSERTION LOSS: <u>MAX. 0.05*SQRT(F) dB</u>
VSWR: <u>MAX. 1.15@0-3GHz</u> <u>MAX. 1.20@3-6GHz</u>
DIELECTRIC WITHSTAND VOLTAGE: <u>MAX. 2500 V RMS</u>
INSULATION RESISTANCE <u>MIN. 5000 Mohms</u>
PIM3: <u>MAX. -160dBc @2x20W, 900MHz, 1800MHz,</u> <u>2100MHz tested with cable</u>

MECHANICAL
MATING CYCLES: <u>MIN. 100 CYCLES</u>
RECOMMENDED TORQUE: <u>5Nm</u>
CABLE PULLING: <u>500N MIN.</u>
CABLE TORSION: <u>5Nm MIN.</u>

ENVIRONMENTAL
TEMPERATURE RANGE: <u>-40°~+85°C</u>
SALT SPRAY: <u>96H</u>
INTERFACE SEAL: <u>IP68(1m, 24h) MATED</u>
PANEL SEAL: <u>N/A</u>

REVISIONS					
P	LTR	DESCRIPTION	DATE	DWN	APVD



NOTE:

1. INTERFACE ACCORDING TO IEC 61169-54
2. CENTER CONTACT IS SPARE PART, AND WILL BE PACKAGED SEPARATELY.

P/N	PART NAME	MATERIAL	PLATING
2081968-1	CENTER CONTACT	BRASS	SILVER
	OUTER CONTACT	BRASS	WHITE BRONZE
	INSULATOR	PTFE	
	O-RING	SILICONE RUBBER	
	OTHERS	BRASS	NICKEL

THIS DRAWING IS A CONTROLLED DOCUMENT.		DWN	JZ	10MAR2020	TE Connectivity	
DIMENSIONS: mm		CHK	RZ	10MAR2020		
TOLERANCES UNLESS OTHERWISE SPECIFIED:		APVD	RS	10MAR2020	NAME	
0 PLC ±0.3	1 PLC ±0.2	PRODUCT SPEC		4.3-10 STRAIGHT PLUG, SCREW		
2 PLC ±0.20	3 PLC ±0.100	108-115175		FOR 1/2 FLEX CABLE		
4 PLC ±0.1000	ANGLES ±	APPLICATION SPEC		SOLDER TYPE		
MATERIAL SEE TABLE	FINISH SEE TABLE	408-160011		SIZE	CAGE CODE	DRAWING NO
		WEIGHT		A3	00779	©-2081968
		CUSTOMER DRAWING		SCALE 1:1		SHEET 1 OF 2
						REV A

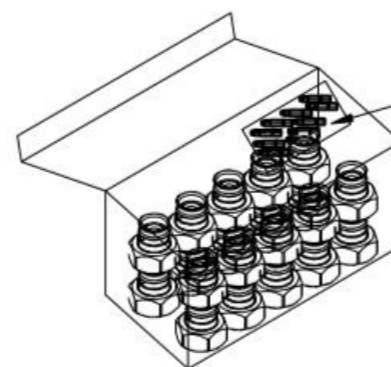
REVISIONS

P	LTR	DESCRIPTION	DATE	DWN	APVD



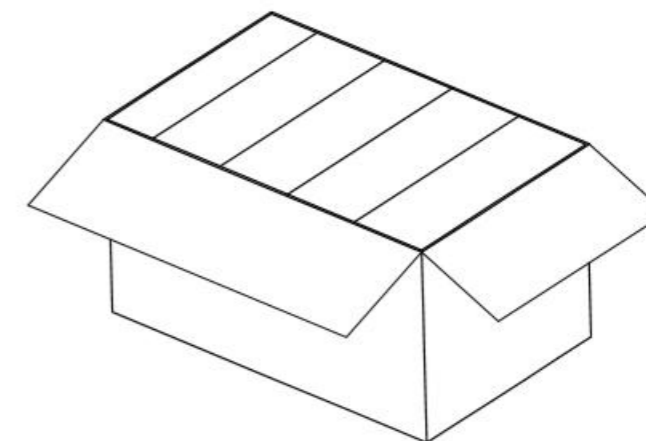
VACUUM PACKING BAG

VACUUM PACKING (5PCS/BAG)

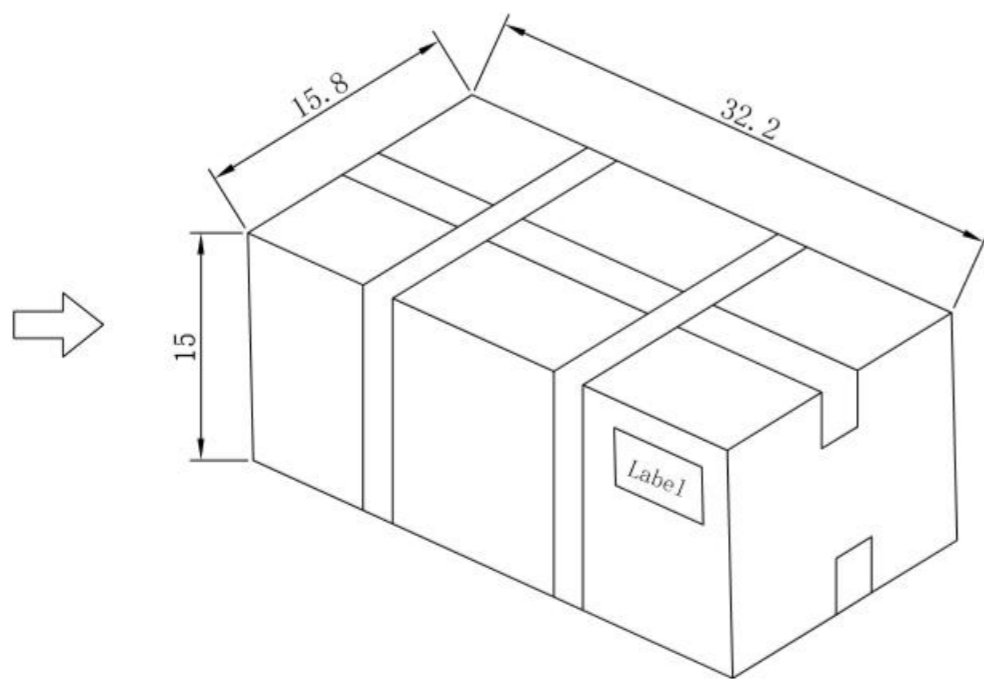


SPARE PARTS (20PCS/BAG)

INNER BOX (20PCS/BOX)



OUTER BOX (200PCS/BOX)



PACKAGE

(BOX SIZE ONLY FOR REFERENCE, UNIT: CM)

THIS DRAWING IS A CONTROLLED DOCUMENT.		DWN	JZ	10MAR2020		
DIMENSIONS:		CHK	RZ	10MAR2020		
mm		APVD	RS	10MAR2020		
		PRODUCT SPEC		NAME		
TOLERANCES UNLESS OTHERWISE SPECIFIED:		APPLICATION SPEC		4.3-10 STRAIGHT PLUG, SCREW FOR 1/2 FLEX CABLE SOLDER TYPE		
0 PLC ±0.3		408-160011		SIZE		
1 PLC ±0.2		WEIGHT		CAGE CODE		
2 PLC ±0.20		31g		DRAWING NO		
3 PLC ±0.100		CUSTOMER DRAWING		A3 00779 C-2081968		
4 PLC ±0.1000		SCALE		RESTRICTED TO		
ANGLES ±		1:1		-		
FINISH		SHEET		REV		
SEE TABLE		2 OF 2		A		
-		-		-		

单击下面可查看定价，库存，交付和生命周期等信息

[>>TE Connectivity\(泰科\)](#)