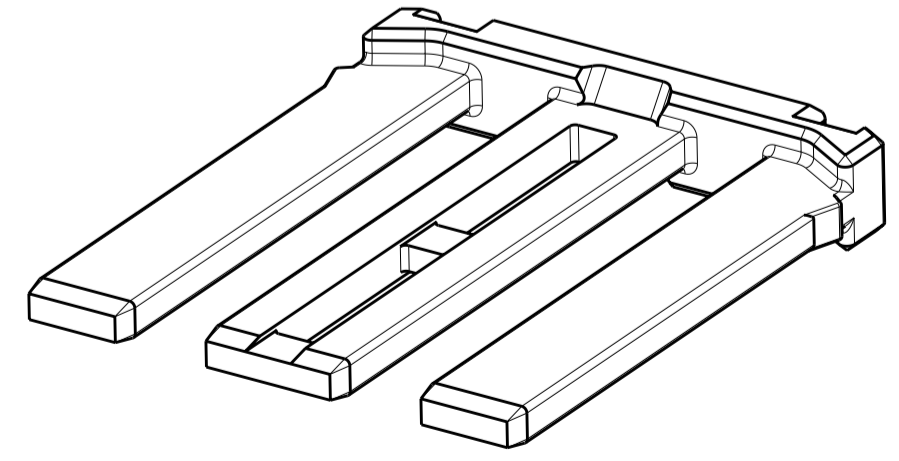
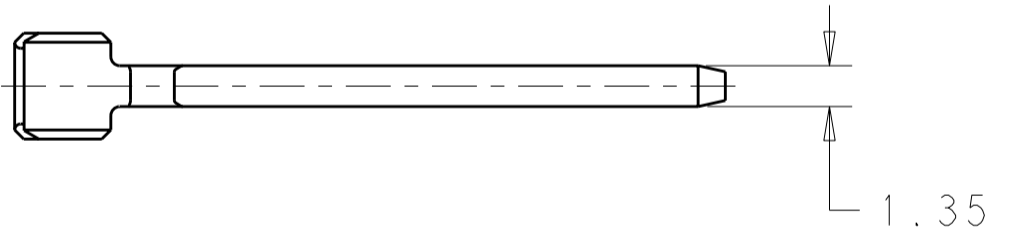
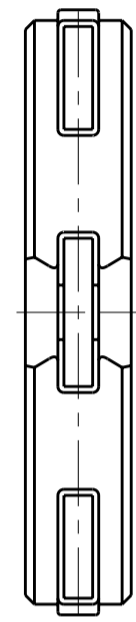
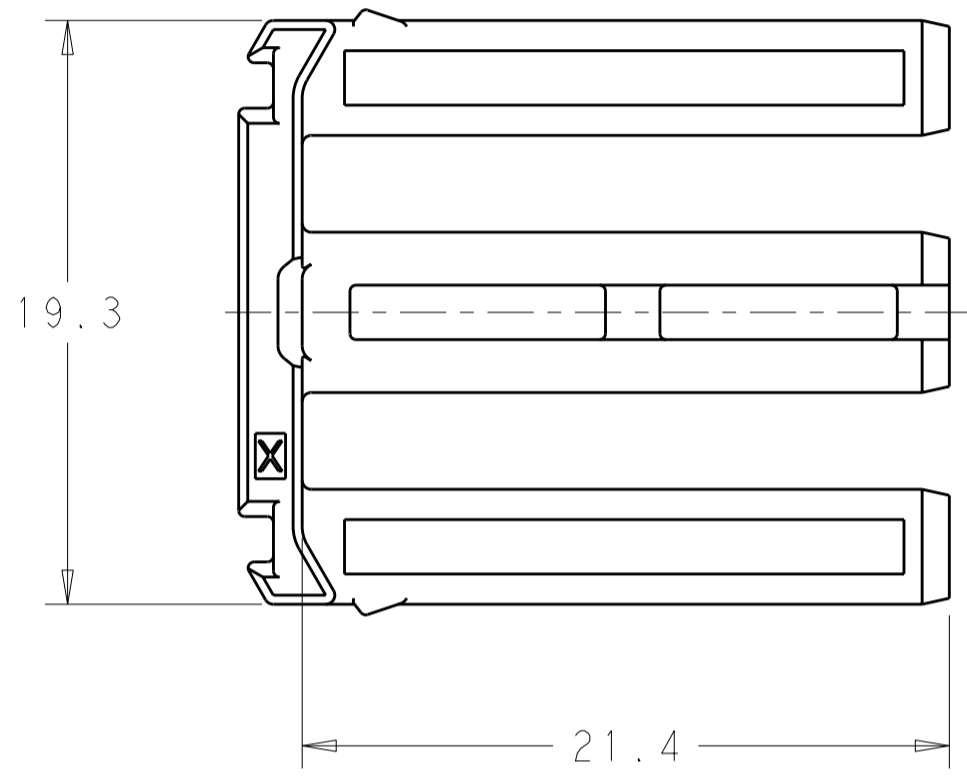
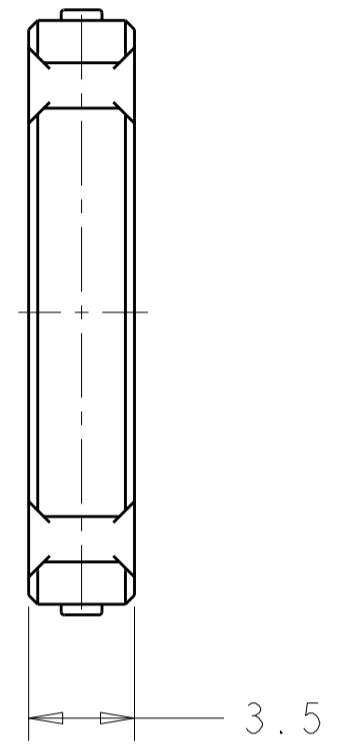


THIS DRAWING IS UNPUBLISHED. RELEASED FOR PUBLICATION 20  
 © COPYRIGHT 20 ALL RIGHTS RESERVED.

LOC	DIST	REVISIONS			
P	LTR	DESCRIPTION	DATE	DWN	APVD
	A	RELEASED PER ECO-12-001655	30JAN2012	AJV	AJV
	B	REV PER ECR-12-008046	01MAY2012	MBH	AV



1. MATERIAL: NYLON 6/6, 35% GLASS FILLED, COLOR: GRAY
2. DELIVERY CONDITION: LOOSE PIECE, BULK PACKAGED.

2138418-1  
PART NUMBER

THIS DRAWING IS A CONTROLLED DOCUMENT.		DWN M. HARISH 25FEB2011	TE Connectivity SECONDARY LOCK MCON CONTACTS		
DIMENSIONS:		CHK A. J. VASBINDER 25FEB2011			NAME
mm		APVD A. J. VASBINDER 25FEB2011			PRODUCT SPEC
		APPLICATION SPEC			
TOLERANCES UNLESS OTHERWISE SPECIFIED:		WEIGHT		RESTRICTED TO	
0 PLC ±0	1 PLC ±0.3	-		SIZE	
2 PLC ±0.1	3 PLC ±0.05	-		CAGE CODE	
4 PLC ±0.0	ANGLES ±1°	-		DRAWING NO	
FINISH		-		A200779C-2138418	
MATERIAL		CUSTOMER DRAWING		SCALE	
-		-		4:1	
				SHEET	
				1 OF 1	
				REV	
				B	

单击下面可查看定价，库存，交付和生命周期等信息

[>>TE Connectivity\(泰科\)](#)