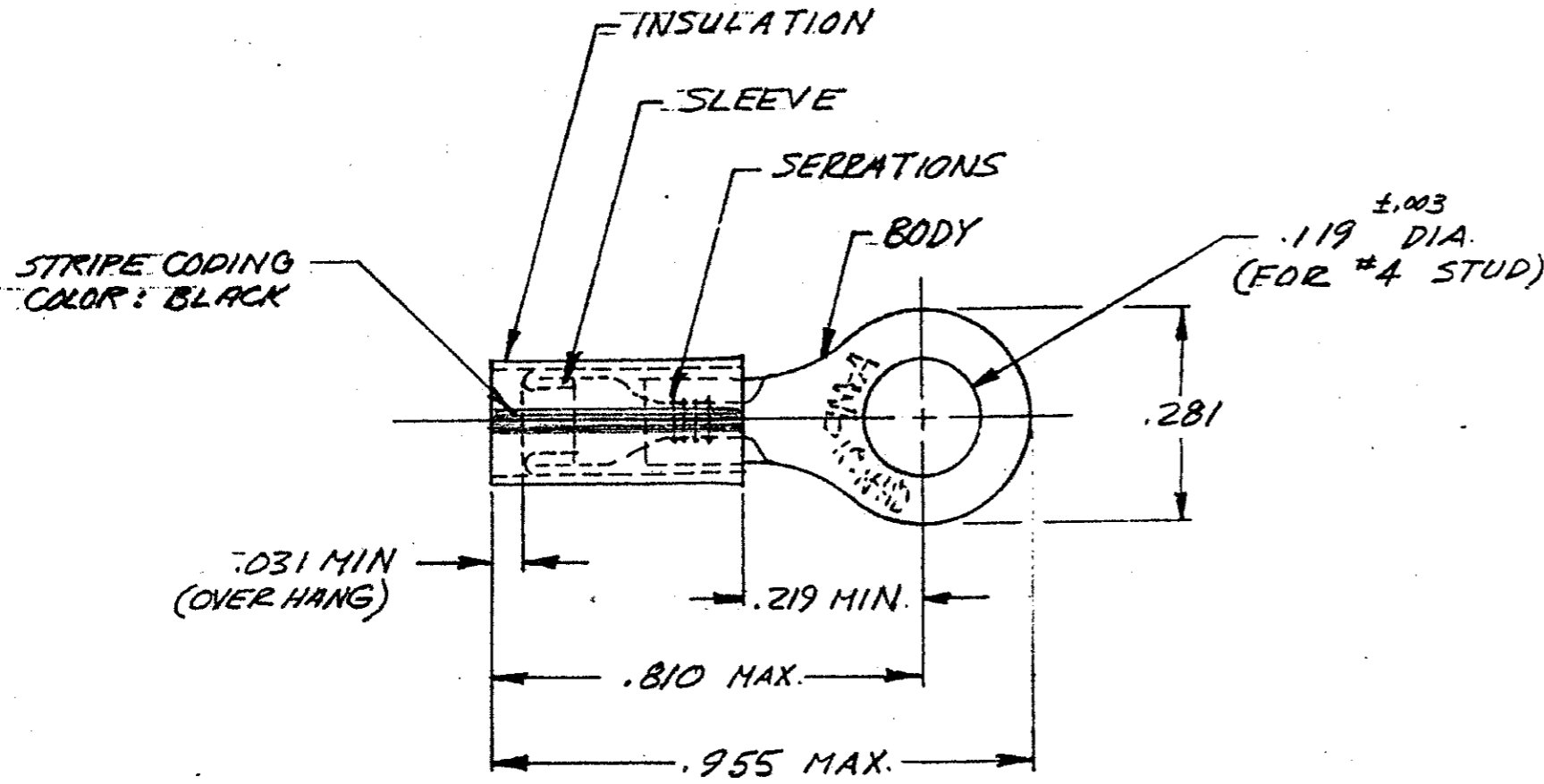


DRAWING MADE IN THIRD ANGLE PROJECTION

© COPYRIGHT 1975 BY AMP INCORPORATED, HARRISBURG, PA.
 ALL INTERNATIONAL RIGHTS RESERVED. AMP INCORPORATED PRODUCTS
 COVERED BY U. S. AND FOREIGN PATENTS AND/OR PATENTS PENDING.

		REVISIONS				
P	F	ZONE	LTR	DESCRIPTION	DATE	APPROVED
✓	✓		0	PER P75-0189	RB 1-16-80	H. Young
✓	✓		A	OBSOLETE PER G-4566	JT 4/24/88	JT
			B	REACT. 10720-0282-93	LO 6/93	DL
			C	REV PER 063A-0170-99	10/99	WE
			D	REV PER 063A-0246-99	11/99	DL/SM
			E	REV PER 063A-0582-04	9/04	DL/SM



FOR .150 TO .230 WIRE INSULATION DIA.
 TONGUE MATERIAL THICKNESS = .048 ±.002

BODY: COPPER ASTM B152, TIN LEAD (93-7) PLATE PER ASTM BS45 (3% MIN LEAD CONTENT) SLEEVE: INSULATION: PVF ₂ , COLOR: NATURAL		53963-1.
MATERIAL & FINISH		PART NO
UNLESS OTHERWISE SPECIFIED DIMENSIONS ARE IN INCHES. TOLERANCES ON: DECIMALS ± .008 ANGLES ±	CONTRACT NO	AMP INCORPORATED Harrisburg, Pa.
	DR <i>R. BROWN</i> 1-16-80	
MATERIAL	CHK <i>H. YOUNG</i> 1-16-80	TERMINAL P.D.G. RING TONGUE PVF ₂ WIRE SIZE #16-T4HD
SEE TABLE	APPD <i>W. M. HICKS</i>	SIZE
FINISH	APPD	CODE IDENT NO
SEE TABLE	DSGN APPD <i>R. BROWN</i> 1-16-80	00779
	OTHER APPD	DRAWING NO
		53963
		SCALE N.T.S.
		SHEET 1/1

单击下面可查看定价，库存，交付和生命周期等信息

[>>TE Connectivity\(泰科\)](#)