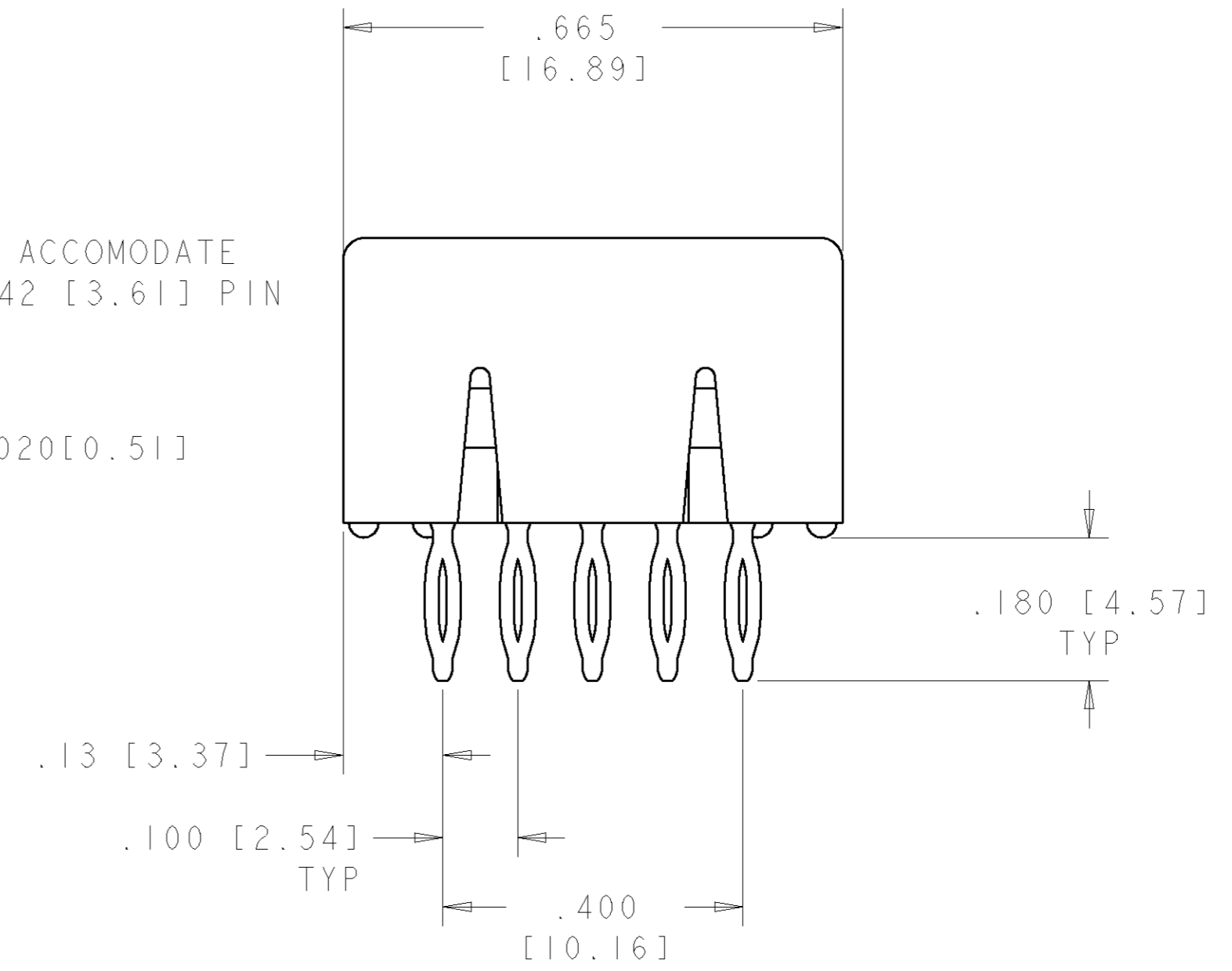
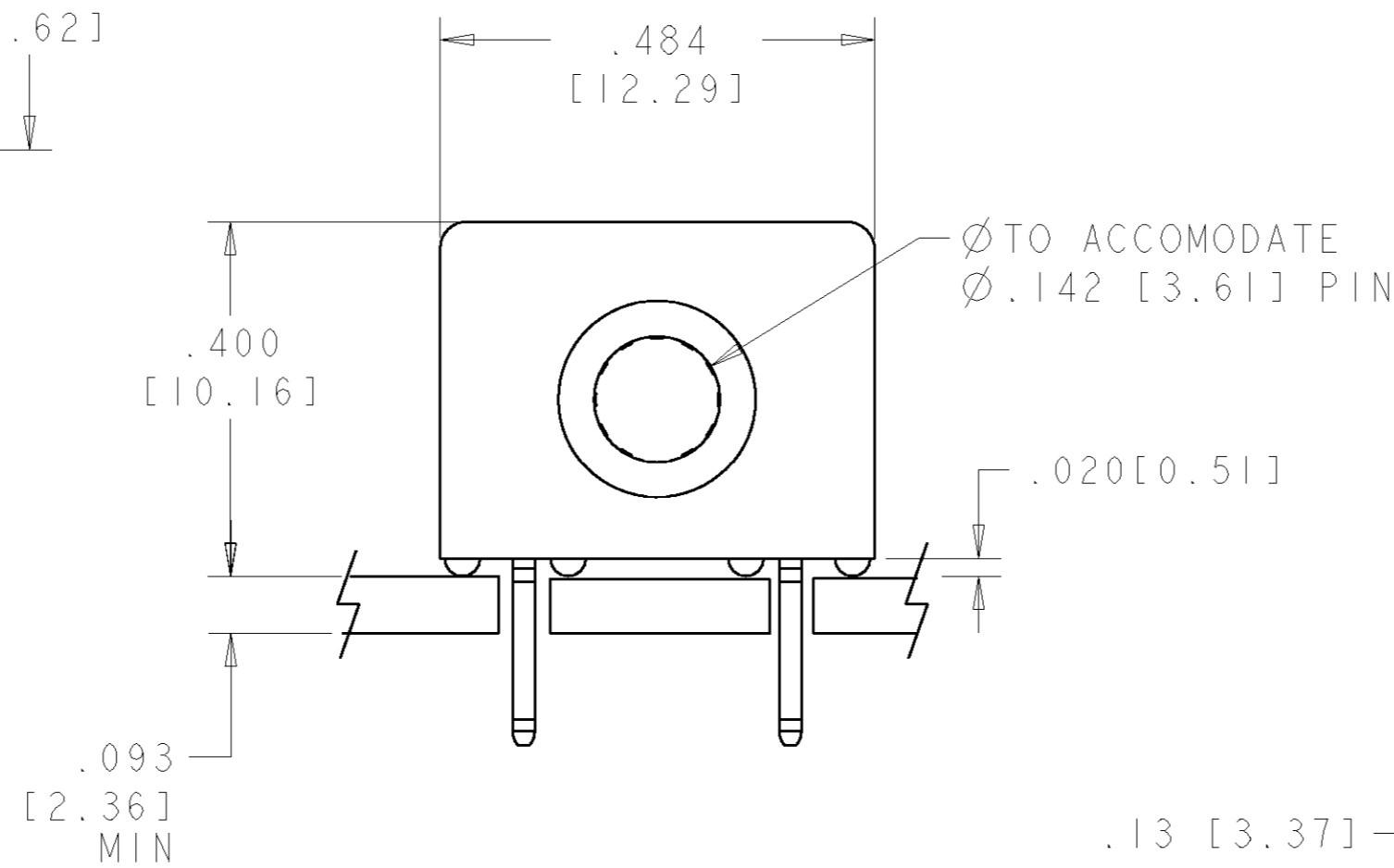
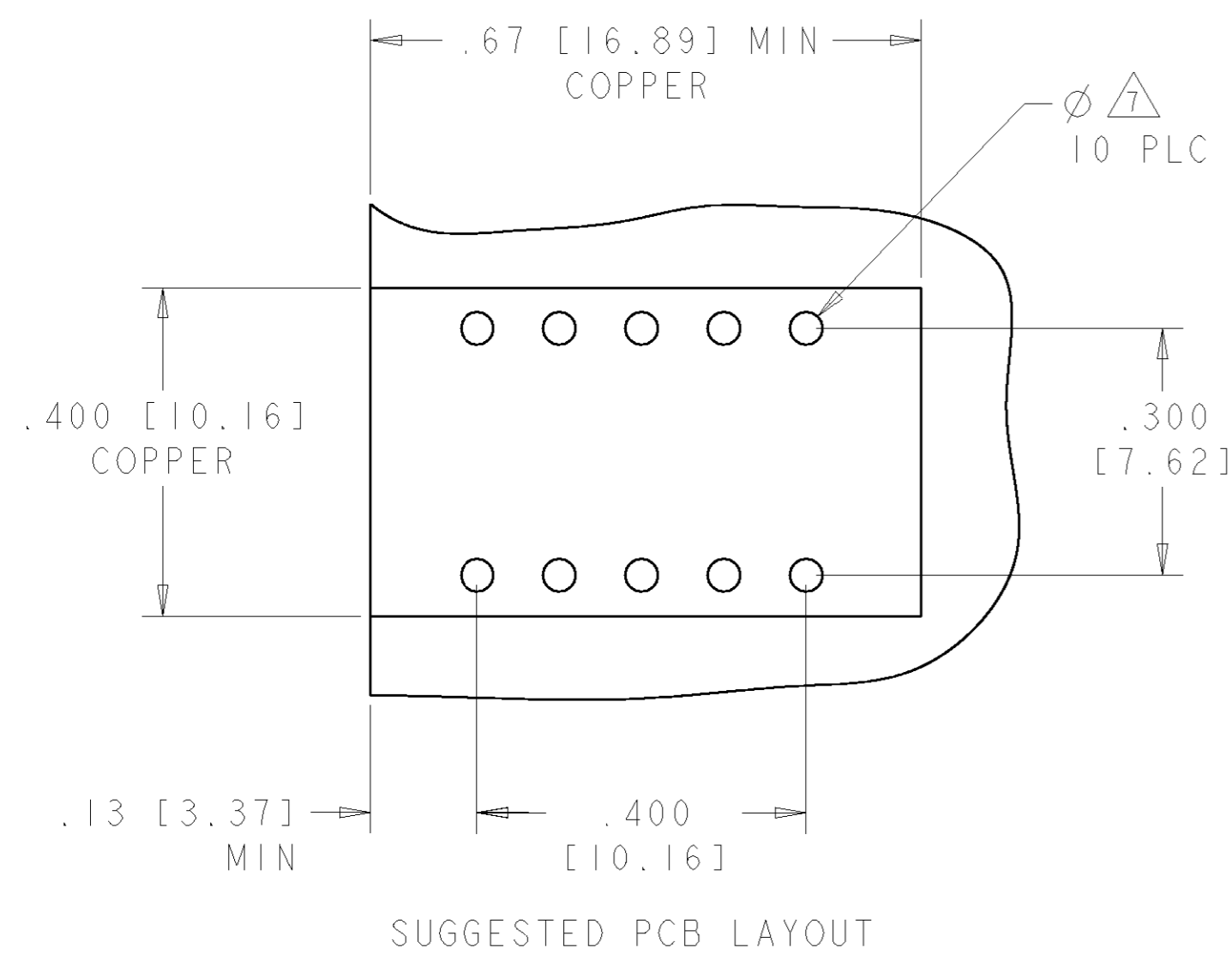


THIS DRAWING IS UNPUBLISHED. RELEASED FOR PUBLICATION 20
 © COPYRIGHT 20 BY TYCO ELECTRONICS CORPORATION. ALL RIGHTS RESERVED.

LOC	DIST	REVISIONS					
GP	00	P	LTR	DESCRIPTION	DATE	DWN	APVD
			A	RELEASED	07FEB2006	RG	PD



- PART NUMBER CHANGES AND/OR DESIGN CHANGES AFFECTING ITEM INTERCHANGEABILITY REQUIRE PRIOR TYCO APPROVAL AND AUTHORIZATION BY REVISION TO THIS DRAWING.
- ITEMS PROVIDED TO THIS SPECIFICATION TO BE IDENTIFIED ON CONTAINER WITH THE FOLLOWING INFORMATION: PART NUMBER AND DATE CODE OF MFR.

- 3 MATERIALS:
 INSULATOR-POLYESTER, GLASS FILLED UL 94 V-0 RATED
 MODULE-METAL CASTING
 COMPLIANT PINS-PHOSPHOR BRONZE
 CROWN-Be Cu
- 4 FINISH:
 INSULATOR-COLOR BLACK
 MODULE: SILVER PLATED .000200 [5.08 MICRONS] MIN THK.
 COMPLIANT PINS-TIN PLATED .000040 [1.02 MICRONS] MIN THK.
 OVER NICKEL .000050 [1.27 MICRONS] MIN THK.
 CROWN-GOLD PLATED .00003 [0.8 MICRONS] THK.

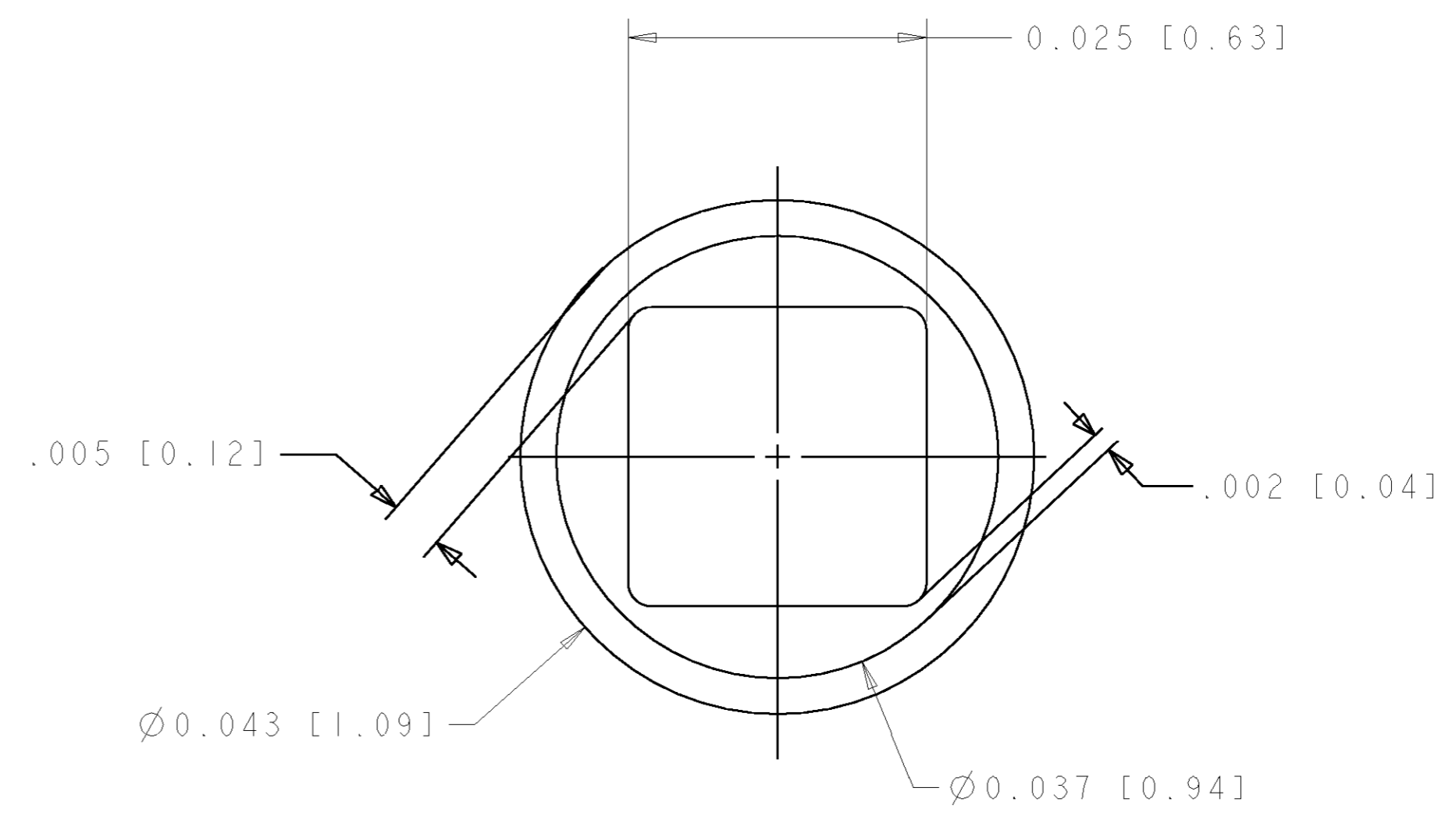
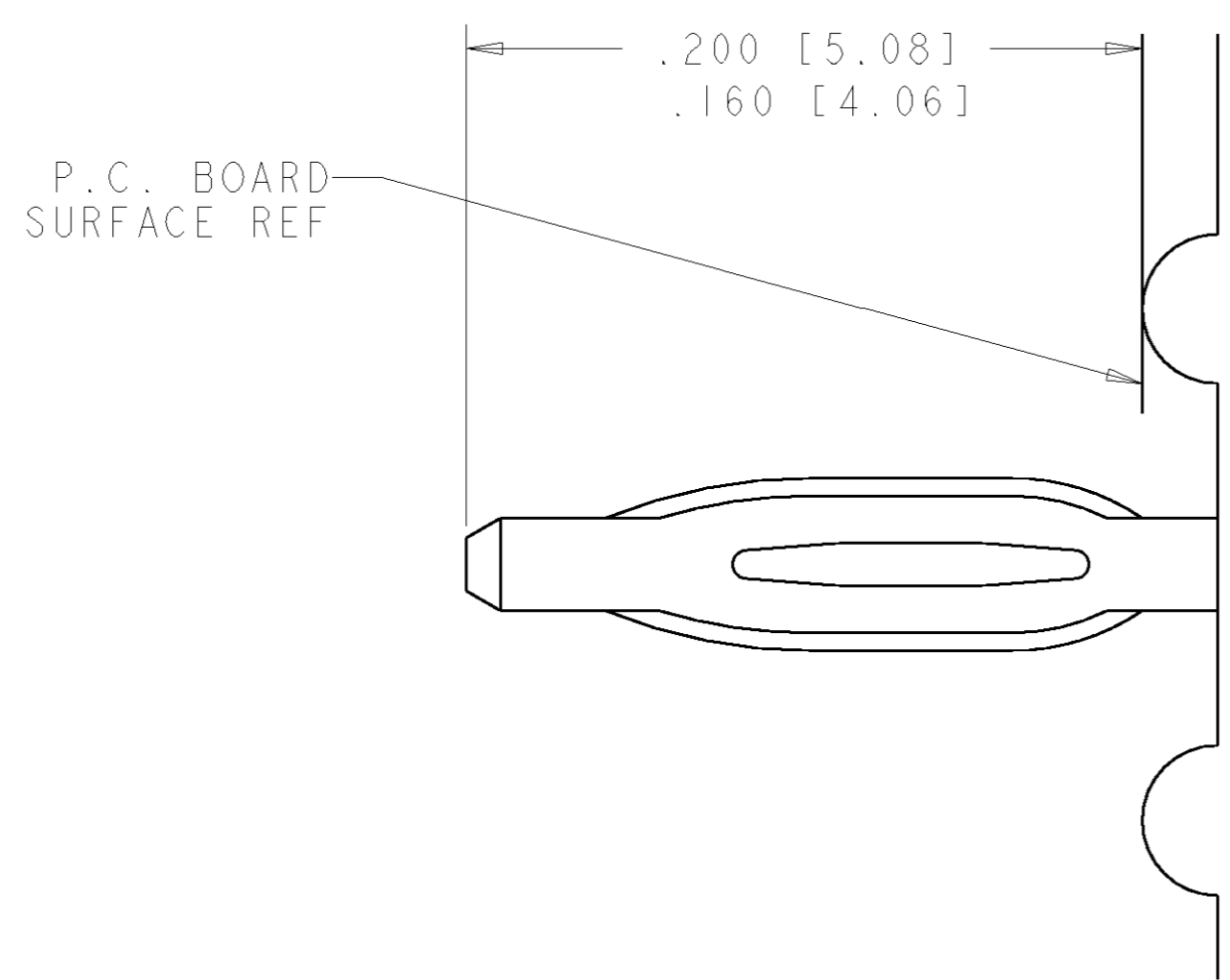
AS SHOWN	1926044-1
DESCRIPTION	PART NUMBER

THIS DRAWING IS A CONTROLLED DOCUMENT FOR TYCO ELECTRONICS CORPORATION. IT IS SUBJECT TO CHANGE AND THE CONTROLLING ENGINEERING ORGANIZATION SHOULD BE CONTACTED FOR THE LATEST REVISION.		DWN R. GRZYBOWSKI 07FEB2006	Tyco Electronics Harrisburg, PA 17105-3608
DIMENSIONS: INCHES		CHK P. DAMATO 07FEB2006	
TOLERANCES UNLESS OTHERWISE SPECIFIED:		APVD S. FLICKINGER 07FEB2006	
0 PLC ± 1 PLC ± 2 PLC ±.020 [0.50] 3 PLC ±.010 [0.25] 4 PLC ± ANGLES ±.5 FINISH		PRODUCT SPEC - APPLICATION SPEC - WEIGHT - CUSTOMER DRAWING	
MATERIAL		NAME ICCON SOCKET, PARALLEL COMPLIANT PIN SIZE CAGE CODE DRAWING NO RESTRICTED TO A200779G-1926044 - SCALE 5:1 SHEET 1 OF 2 REV A	

ELCON ICCON

THIS DRAWING IS UNPUBLISHED. RELEASED FOR PUBLICATION 20
 © COPYRIGHT 20 BY TYCO ELECTRONICS CORPORATION. ALL RIGHTS RESERVED.

LOC	DIST	REVISIONS			
P	LTR	DESCRIPTION	DATE	DWN	APVD
GP	00	-	SEE SHEET 1	-	-



6. COMPLIANT PIN DETAIL
 SCALE 10:1
 INSERTION/EXTRACTION FORCES
 MAXIMUM PUSH IN: 133.3N PER PIN
 [30 LBS]
 MINIMUM PUSH OUT: 44.4N PER PIN
 [10 LBS]

△ SOLDER TERMINATION AREA
 SCALE 40:1
 RECOMMENDED PRINTED CIRCUIT HOLE
 COMPLIANT PRESS FIT
 DRILLED HOLE: Ø.0453 [1.15] ±.0005 [.013]
 COPPER PLATE: .0010 [0.025] TO .0020 [.050]
 TIN PLATE: .000020 [.0005] MIN. (PER SIDE)

THIS DRAWING IS A CONTROLLED DOCUMENT FOR TYCO ELECTRONICS CORPORATION IT IS SUBJECT TO CHANGE AND THE CONTROLLING ENGINEERING ORGANIZATION SHOULD BE CONTACTED FOR THE LATEST REVISION.		DWN R. GRZYBOWSKI 07FEB2006	tyco Electronics Tyco Electronics Harrisburg, PA 17105-3608	
DIMENSIONS: INCHES		CHK P. DAMATO 07FEB2006	NAME ICCON SOCKET, PARALLEL COMPLIANT PIN	
TOLERANCES UNLESS OTHERWISE SPECIFIED:		APVD S. FLICKINGER 07FEB2006	SIZE A200779	CAGE CODE C-1926044
0 PLC ± 1 PLC ± 2 PLC ±.020 [0.50] 3 PLC ±.010 [0.25] 4 PLC ±		PRODUCT SPEC -	DRAWING NO -	RESTRICTED TO -
MATERIAL -		FINISH -	WEIGHT -	SCALE 5:1 SHEET 2 OF 2 REV A
		CUSTOMER DRAWING		

单击下面可查看定价，库存，交付和生命周期等信息

[>>TE Connectivity\(泰科\)](#)