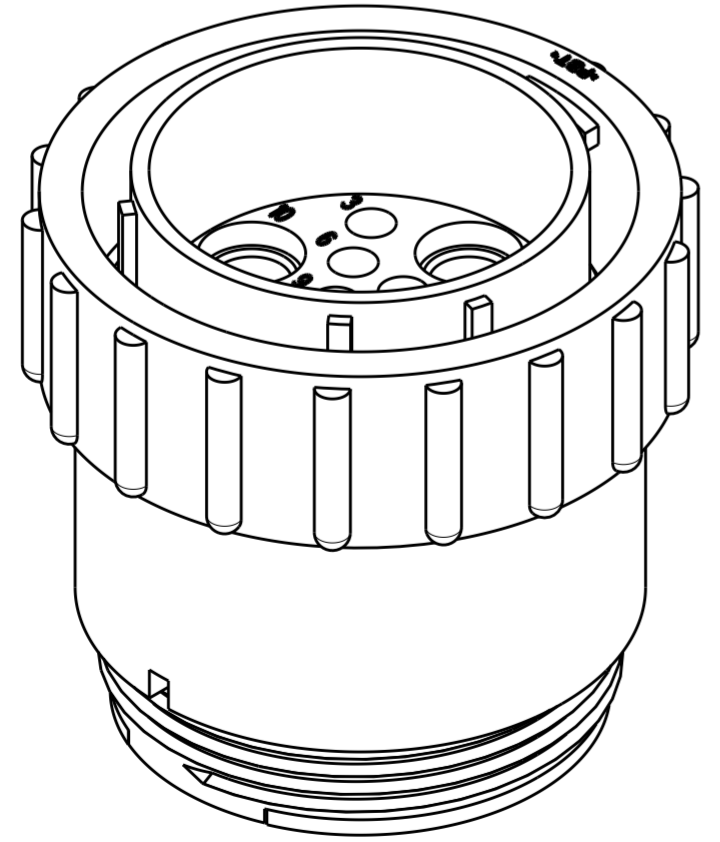
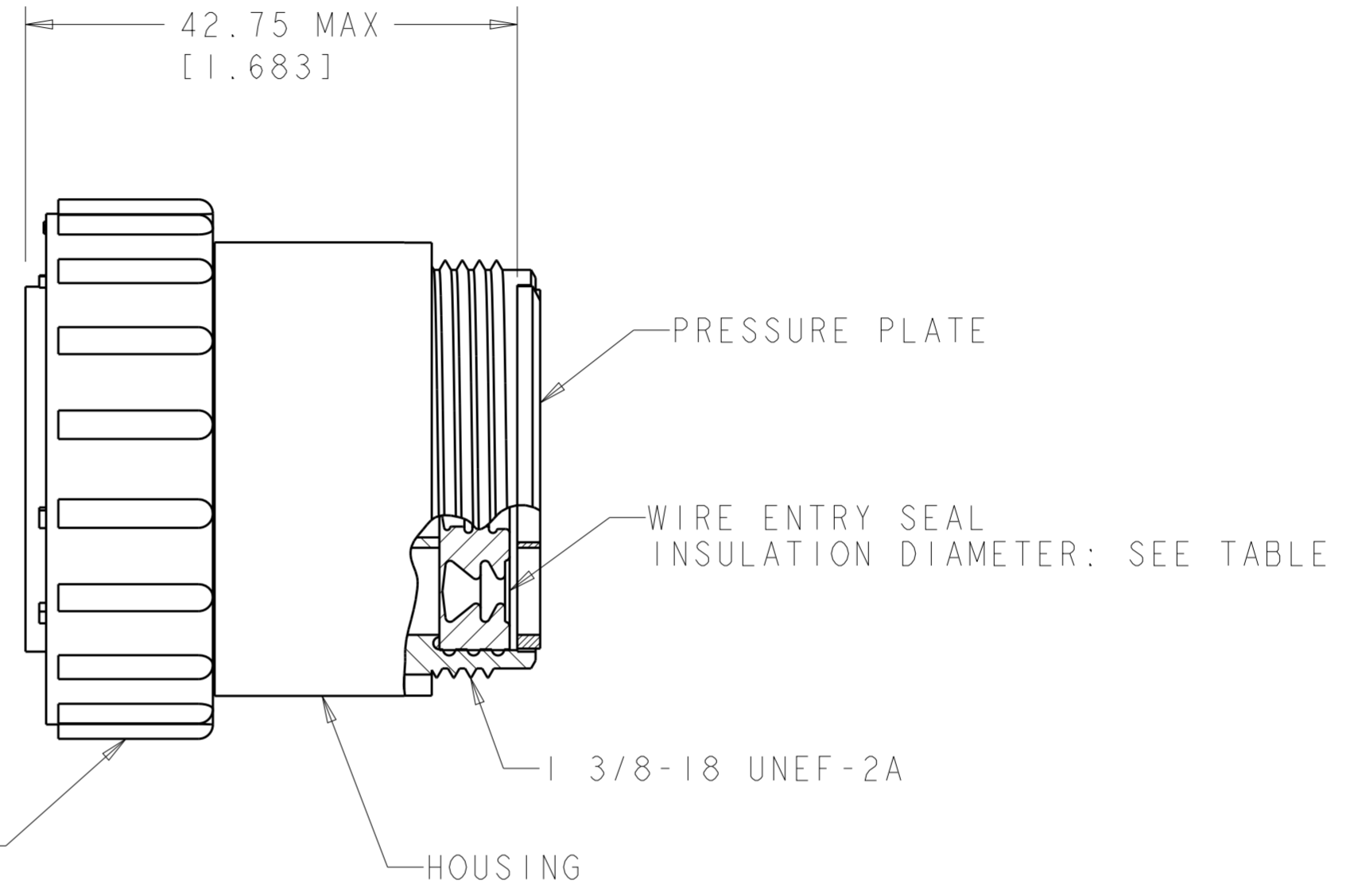
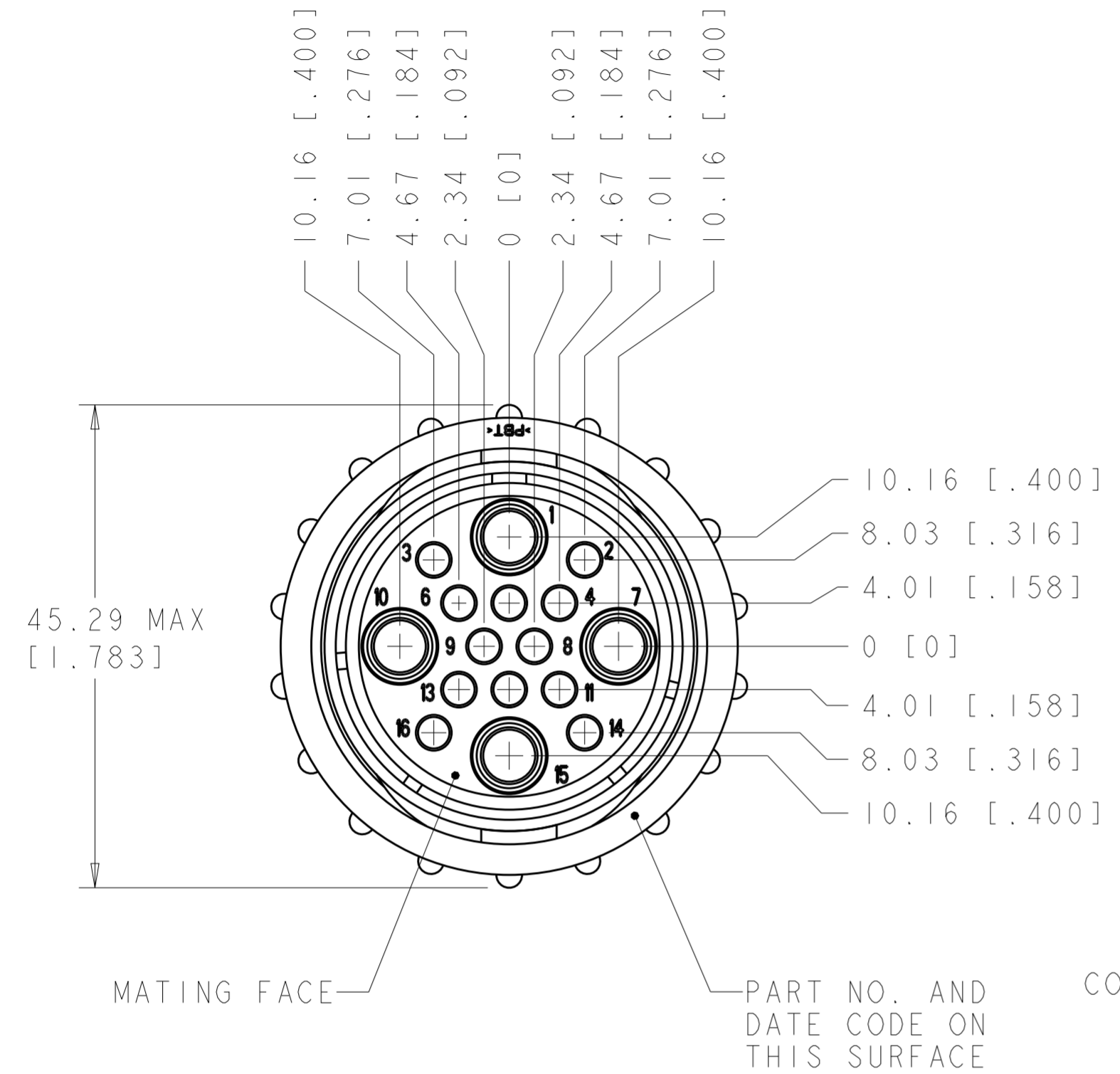


THIS DRAWING IS UNPUBLISHED. RELEASED FOR PUBLICATION  
 © COPYRIGHT 20 BY - ALL RIGHTS RESERVED.

REVISIONS				
P	LTR	DESCRIPTION	DATE	APVD
	B1	REVISED PER ECO-16-004800	12SEP2016	NK MZ



⚠ HOUSING & PRESSURE PLATE: NYLON, BLACK.  
 WIRE ENTRY SEAL: ELASTOMER, RED-IRON OXIDE.  
 COUPLING RING: POLYESTER, BLACK.  
 2. WILL ACCEPT (12) MULTIMATE PINS AND (4) POWER MALE CONTACTS.

OBSOLETE	.150-.265	<del>796332-2</del>
	.095-.205	796332-1
	INSULATION DIA	PART NUMBER

THIS DRAWING IS A CONTROLLED DOCUMENT.		DWN S. WELDON 13DEC1999	TE Connectivity	
DIMENSIONS: mm [INCHES]		CHK J. ENGLE 13DEC1999		
TOLERANCES UNLESS OTHERWISE SPECIFIED:		APVD J. ENGLE 13DEC1999		
0 PLC ±	1 PLC ±	PRODUCT SPEC 108-1579	NAME PLUG ASSEMBLY, SERIES 6, REVERSE SEX, SIZE 23-16, CIRCULAR PLASTIC CONNECTOR	
2 PLC ±0.02	3 PLC ±	APPLICATION SPEC -	SIZE A2	CAGE CODE 00779
4 PLC ±	ANGLES ±	WEIGHT -	DRAWING NO C-796332	RESTRICTED TO -
MATERIAL	FINISH	CUSTOMER DRAWING	SCALE 2:1	SHEET 1 OF 1

单击下面可查看定价，库存，交付和生命周期等信息

[>>TE Connectivity\(泰科\)](#)