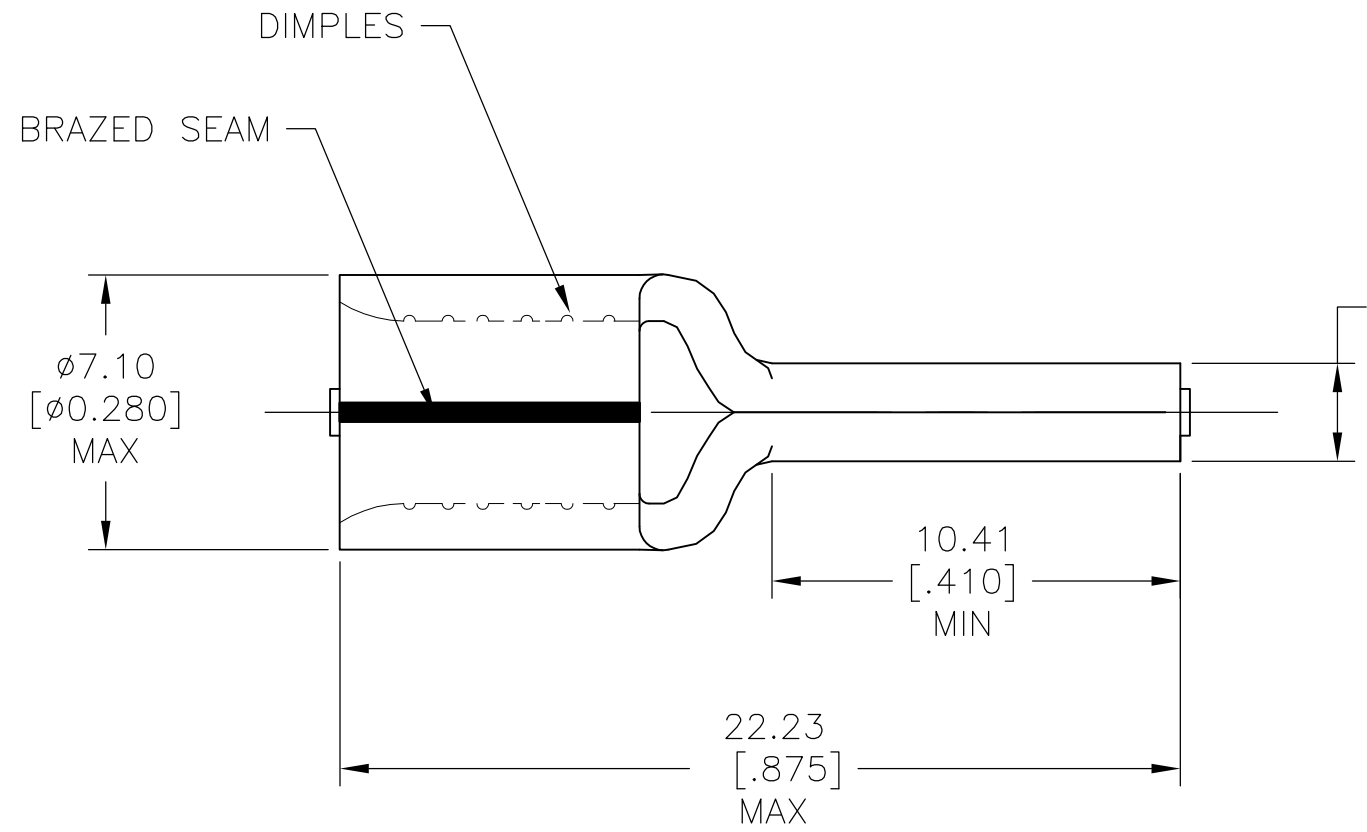


THIS DRAWING IS UNPUBLISHED. RELEASED FOR PUBLICATION  
 © COPYRIGHT - By - ALL RIGHTS RESERVED.

LOC	DIST	REVISIONS			
P	LTR	DESCRIPTION	DATE	DWN	APVD
G	01	C3	REVISED PER ECO-14-003208	12MAR2014	NK DR

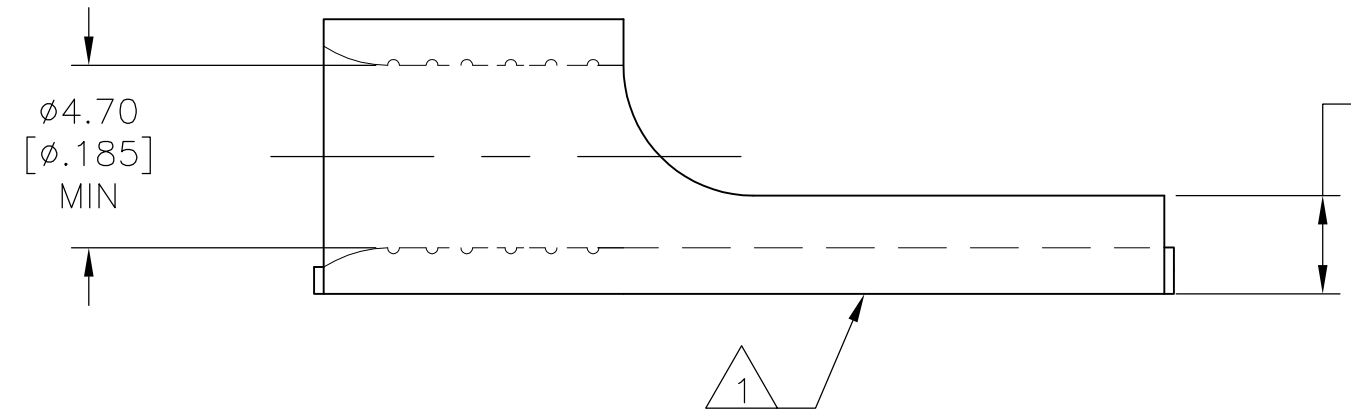


- △ 1 STAMP AMP 8 APPROX AS SHOWN
- △ 2 COPPER PER ASTM B-152
- △ 3 TIN PLATE 0.00254 [.000100] MIN THK PER ASTM B-545

**AMP**  
WIRE RANGE

---

8 AWG  
STRANDED



500	△ 3	LOOSE PIECE	180599
QTY.	FINISH	PACKAGE TYPE.	PART NO.

**AMP INCORPORATED**  
CUSTOMER SERVICE SYSTEMS

FOR ADDITIONAL PRODUCT INFORMATION OR COPIES OF DRAWINGS AND TECHNICAL DOCUMENTS	PRODUCT INFORMATION CENTER 1-800-522-6752
FOR APPLICATION TOOLING INFORMATION	TOOLING ASSISTANCE CENTER 1-800-722-1111
FOR ORDER ENTRY	1-800-526-5142

MAX RECOMMENDED OPERATING TEMPERATURE:  
**170°C [338°F]**

VOLTAGE RATING:  
N/A

CIRCULAR MIL AREA:  
**6.64-10.50mm<sup>2</sup> [13,100-20,800] STRANDED**

THIS DRAWING IS A CONTROLLED DOCUMENT.

DIMENSIONS:	TOLERANCES UNLESS OTHERWISE SPECIFIED:
mm [INCHES]	
0 PLC	± -
1 PLC	± -
2 PLC	± -
3 PLC	± -
4 PLC	± -
ANGLES	± 5°

MATERIAL: △ 2  
FINISH: SEE TABLE

DWN	jr_ruth	05APR07	<b>STE</b> TE Connectivity
CHK	T MICHELUTTI	05APR07	
APVD	T MICHELUTTI	05APR07	
PRODUCT SPEC	NAME		
APPLICATION SPEC	NAME		WIRE PIN SOLISTRAND
WEIGHT	—	—	
CUSTOMER DRAWING			RESTRICTED TO
SIZE	A3	CAGE CODE	00779
DRAWING NO	C-180599		SCALE
SCALE			5:1
SHEET			1 OF 1
REV			C3

单击下面可查看定价，库存，交付和生命周期等信息

[>>TE Connectivity\(泰科\)](#)