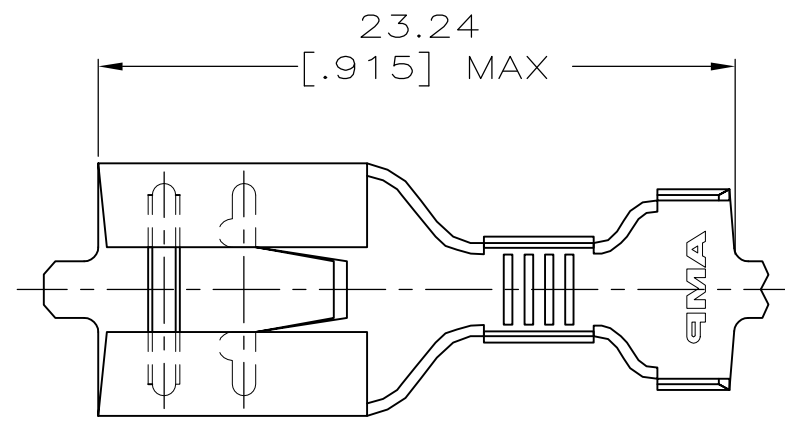
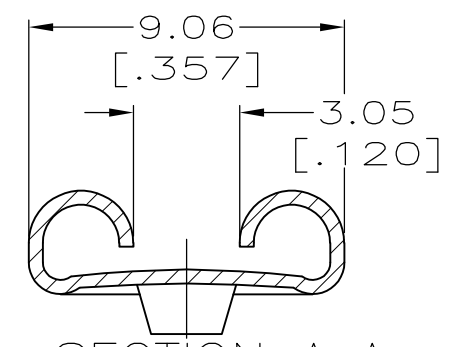


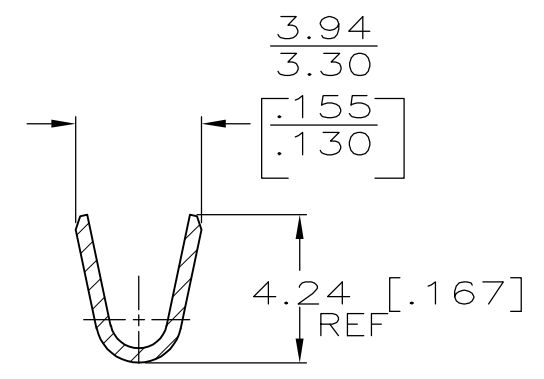
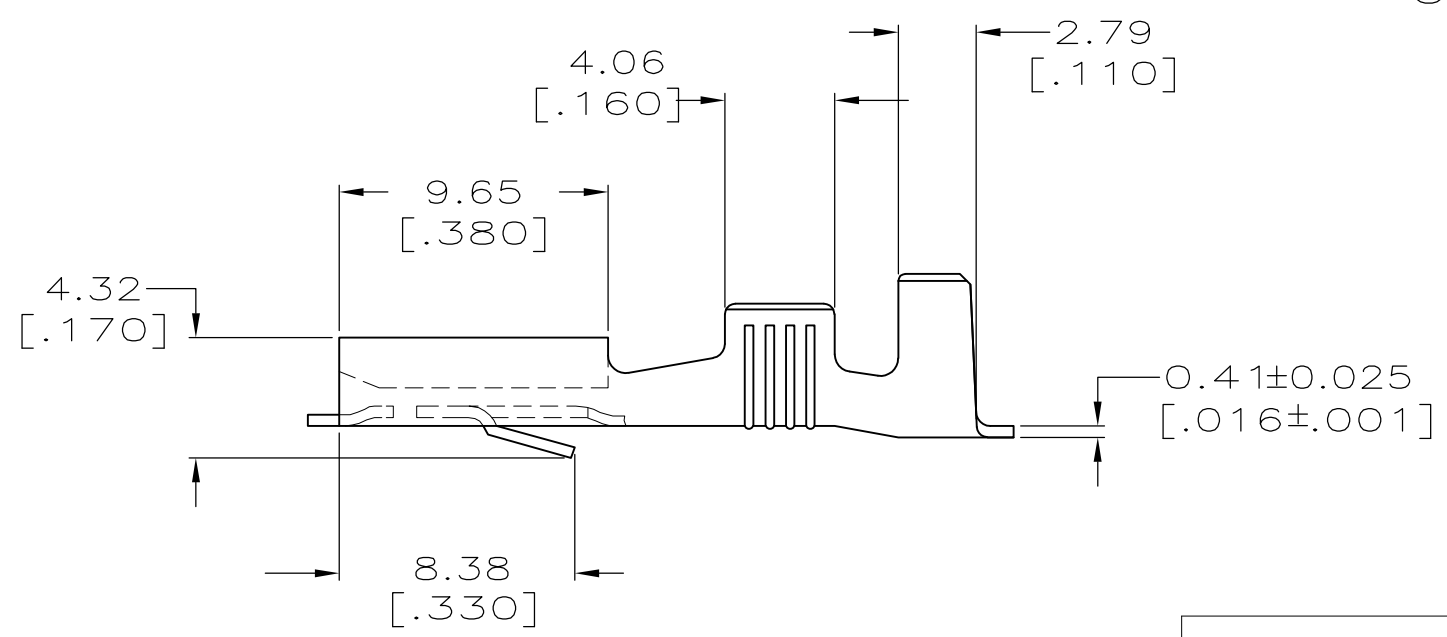
LOC	DIST	REVISIONS					
AF	50	P	LTR	DESCRIPTION	DATE	DWN	APVD
			C	REVISED PER ECR-13-005733	26AUG2013	KH	PD



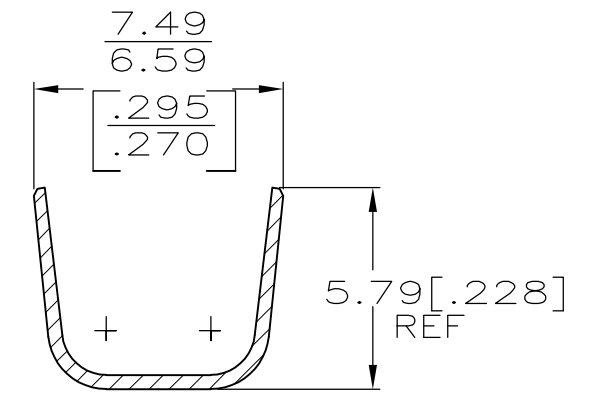
1 CONTINUOUS STRIP ON REELS.



SECTION A-A
SCALE 5:1



SECTION B-B
SCALE 5:1



SECTION C-C
SCALE 5:1

4.06 MAX OR (2) 3.30 DIA [.160 MAX OR (2).130 MAX]	[#16-#12] AWG	0.81 [.032]	63813-1
INSUL RANGE	WIRE SIZE	MATING TAB THK ±0.025 [.001]	PART NO

THIS DRAWING IS A CONTROLLED DOCUMENT.		DWN	JR RUTH	10/17/94	TE Connectivity NAME RECEPTACLE, FASTIN-FASTON, 7.92 [.312] SERIES	SIZE	CAGE CODE	DRAWING NO	RESTRICTED TO				
DIMENSIONS: mm [INCHES]		CHK	MS FEHER	10/17/94		A300779	C-63813	-	-				
TOLERANCES UNLESS OTHERWISE SPECIFIED:		APVD	J GILLESPIE	10/17/94									
0 PLC ± - 1 PLC ± - 2 PLC ± 0.38 [.015] 3 PLC ± - 4 PLC ± - ANGLES ± -		PRODUCT SPEC	-	-									
MATERIAL	BRASS	FINISH	TIN	WEIGHT	-	CUSTOMER DRAWING		SCALE	4:1	SHEET	1 OF 1	REV	C

单击下面可查看定价，库存，交付和生命周期等信息

[>>TE Connectivity\(泰科\)](#)