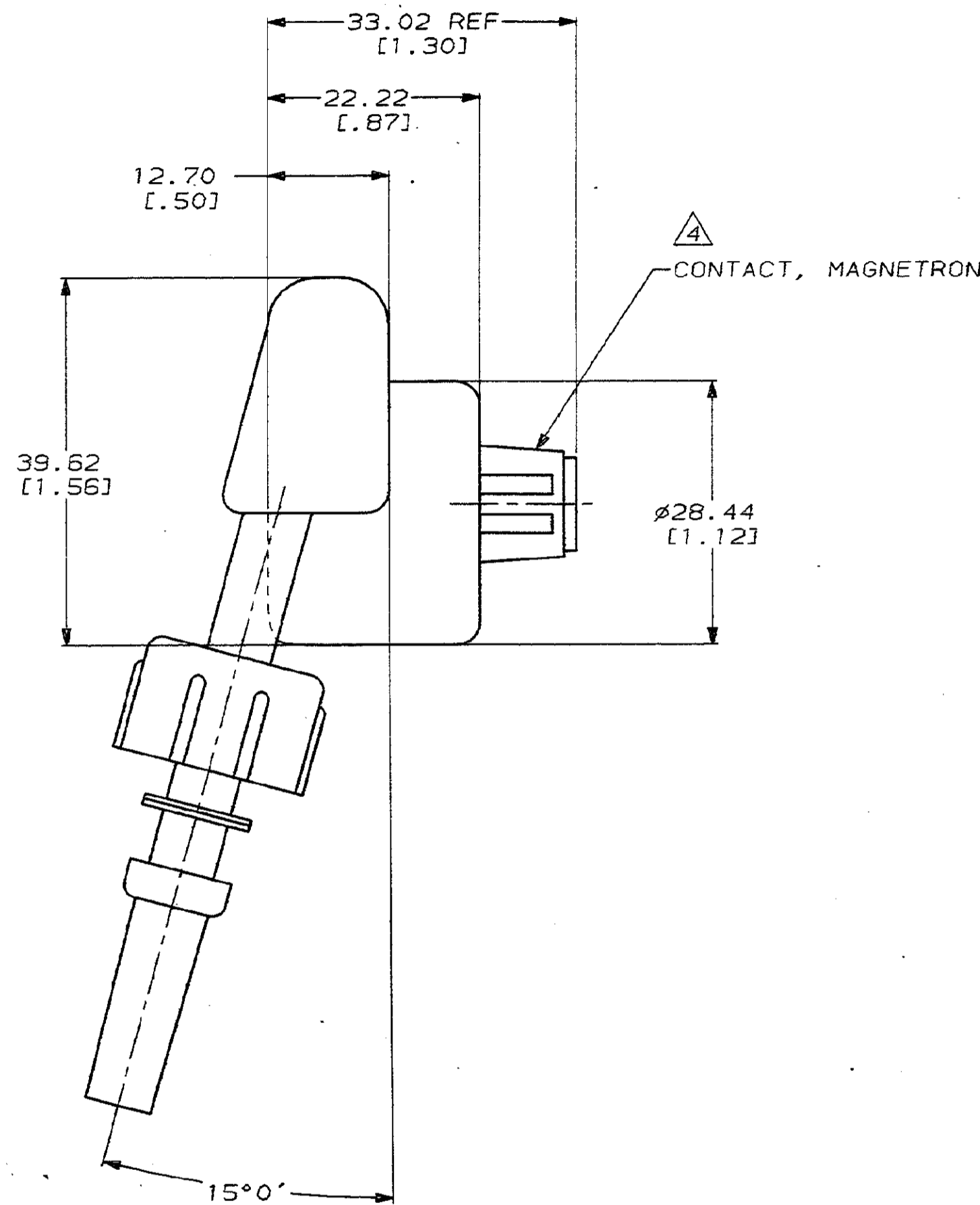
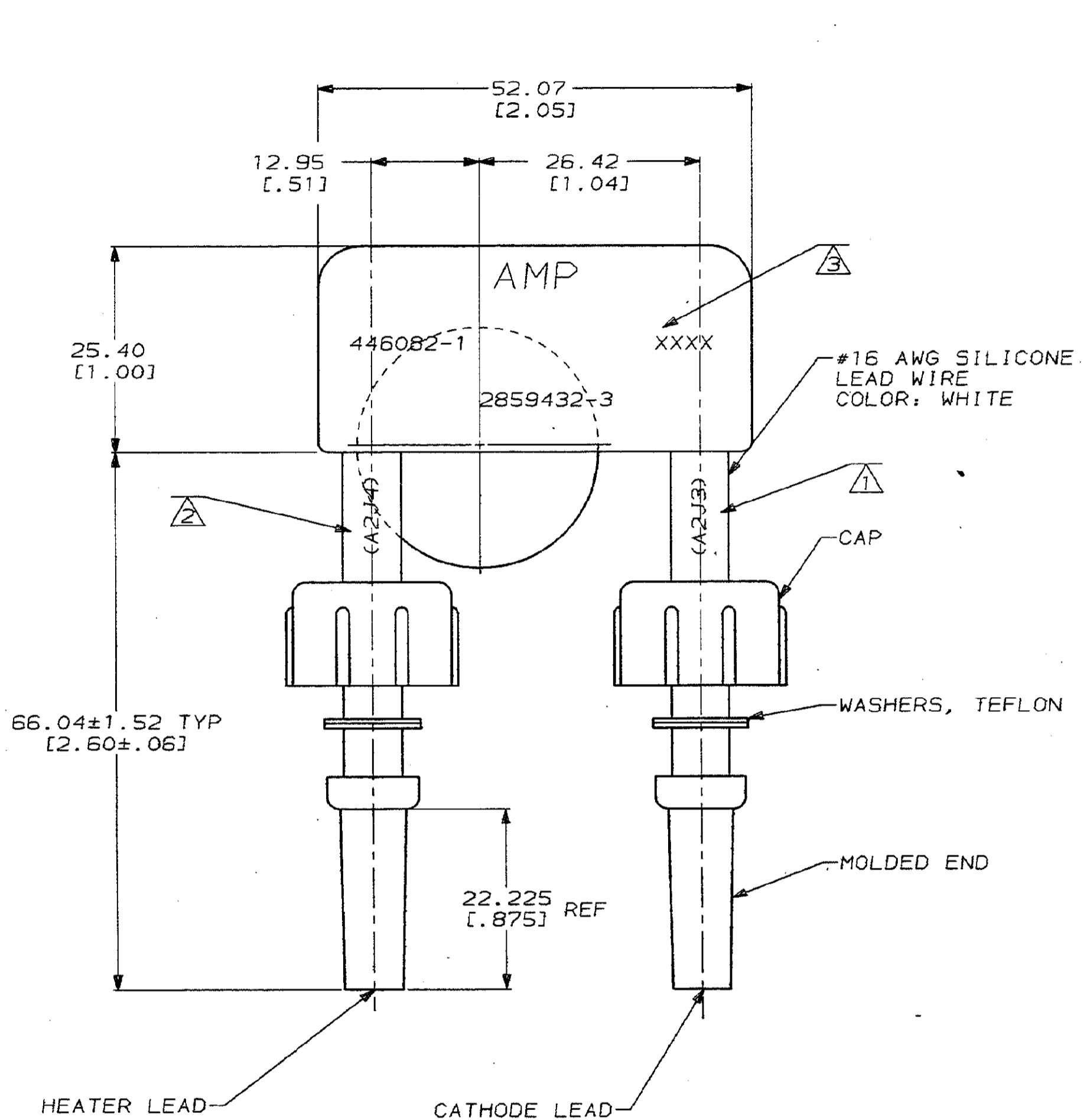


DRAWING MADE IN THIRD ANGLE PROJECTION

THIS DRAWING IS UNPUBLISHED. RELEASED FOR PUBLICATION .19
 © COPYRIGHT 19 BY AMP INCORPORATED. ALL INTERNATIONAL RIGHTS RESERVED.

METRIC

PROD CODE	LOC	DIST	REVISIONS	DATE	APPD
4092	DF	S1	0 RLSE/NPR 89-241	7-89	CS



- 1. MARKED WITH CUSTOMER DATA: P1 & (A2J3) PER MIL-STD-130.
- 2. MARKED WITH CUSTOMER DATA: P2 & (A2J4) PER MIL-STD-130.
- 3. AMP & CUSTOMER DATA MARKED PER MIL-STD-130.
- 4. TO MATE WITH MAGNETRON 4J52A.
- 5. TO MATE WITH AMP RECEPTACLE PART NO. 868754-1.
- 6. HI-POT: 45 KVDC AT SEA LEVEL FOR 3 MIN; 100%
- 7. OPERATING VOLTAGE: 30 KVDC AT SEA LEVEL.
- 8. SOLDER TO WITHSTAND A TEMPERATURE OF 500°F MAX.

DO NOT SCALE PRINT. UNLESS SPECIFIED DIMENSIONS IN MM [INCHES]		AMP PART NO. 446082-1	
TOLERANCES ON:		AMP INCORPORATED Harrisburg, Pa. 17105	
2 PLC DEC ± 0.51 [0.02]		NAME LGH CONNECTOR, MAGNETRON	
3 PLC DEC ± 0.13 [0.005]			
ANGLES ± -		DRAWING NO 446082	
MATERIAL SEE CALLOUTS		SIZE C	FSCM NO 00779
FINISH -		DRAWING NO 446082	
APPLICATION SPEC -		SCALE 2:1	SHEET 1 OF 1
WEIGHT -			

AMP 1471-6 REV 3-87

10 MAY 1989 10:30:06 716402 451285-DEP15021-ALLSH

RESTRICTED CUSTOMER DRAWING

单击下面可查看定价，库存，交付和生命周期等信息

[>>TE Connectivity\(泰科\)](#)