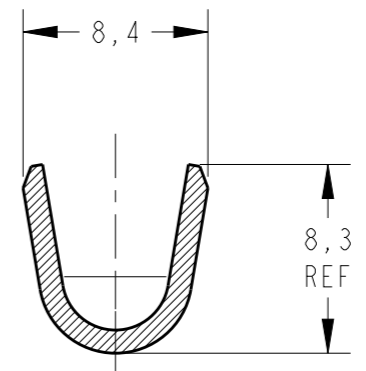
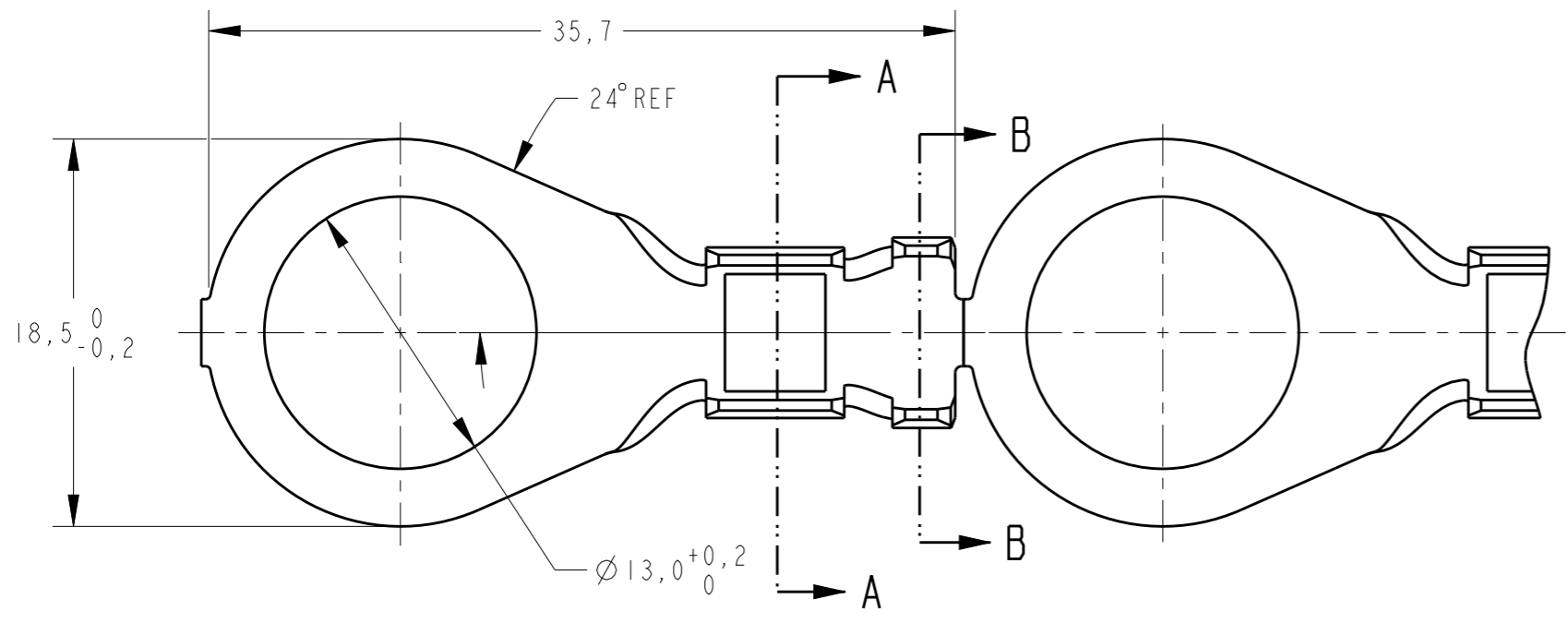


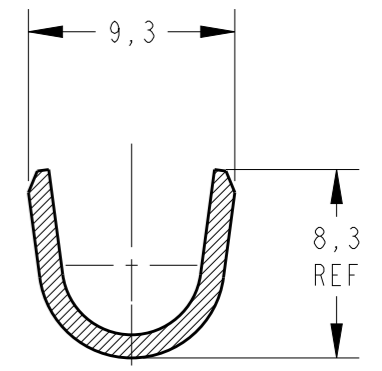
THIS DRAWING IS UNPUBLISHED. RELEASED FOR PUBLICATION 20
 © COPYRIGHT 20 BY - ALL RIGHTS RESERVED.

creo
 Creo Parametric 2.0
**DO NOT REVISE
 EXCEPT BY CAD**

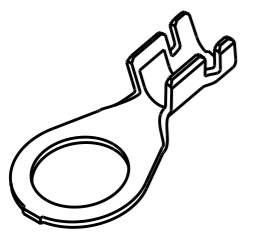
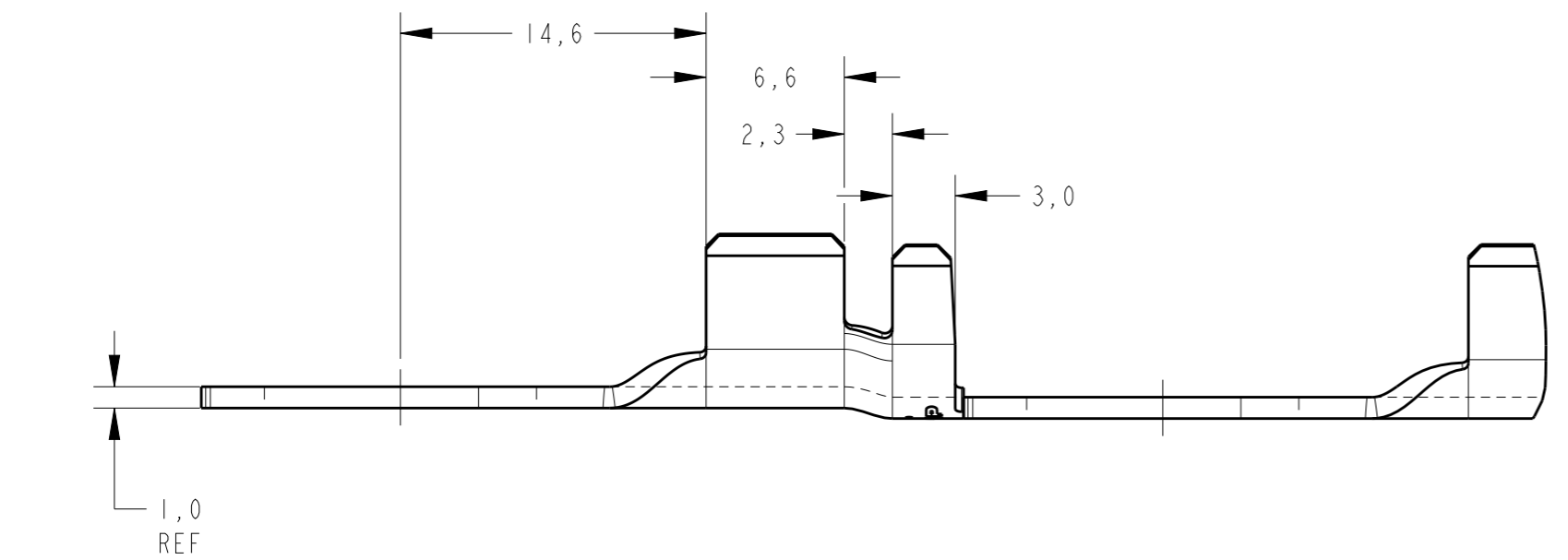
REVISIONS					
P	LTR	DESCRIPTION	DATE	DWN	APVD
	B	REDRAW BY CAD ECO-14-013530	08SEP2014	NCL	LWP
	B1	REV. BY ECO 16-006124	10JUN2016	HC	WLS



SECTION A-A
 SCALE 3:1



SECTION B-B
 SCALE 3:1



PERSPECTIVE VIEW
 SCALE 1:1

4,6-6,6mm	6,0-10,0mm ²
INSUL. RANGE	WIRE RANGE

OBSOLETE

SL E 101-26	ESTANHADO / TINNER	LATÃO / BRASS	881011-2
		LATÃO / BRASS	881011-1
FORD PN	FINISH	MATERIAL	PART NO

THIS DRAWING IS A CONTROLLED DOCUMENT.

DIMENSIONS: mm	TOLERANCES UNLESS OTHERWISE SPECIFIED:
	0 PLC ±-
	1 PLC ±0,3
	2 PLC ±-
	3 PLC ±-
	4 PLC ±-
	ANGLES ±1°

MATERIAL SEE TABLE	FINISH SEE TABLE
-----------------------	---------------------

DWN NCLAPRESA	10DEC2012
CHK JRGOLDSCHMIDT	10DEC2012
APVD DAOLIVEIRA	10DEC2012
PRODUCT SPEC	-
APPLICATION SPEC	-
WEIGHT	-

STE TE Connectivity

NAME
RING TONGUE

SIZE A3	CAGE CODE 00779	DRAWING NO C-881011	RESTRICTED TO -
------------	--------------------	------------------------	--------------------

Customer Drawing SCALE 3:1 SHEET 1 OF 1 REV B1

单击下面可查看定价，库存，交付和生命周期等信息

[>>TE Connectivity\(泰科\)](#)