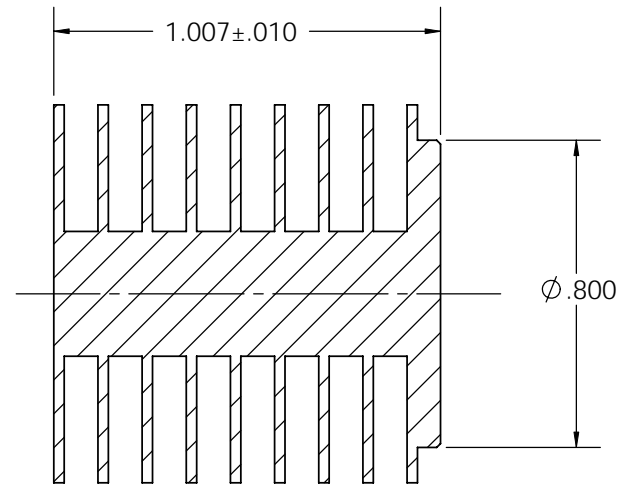
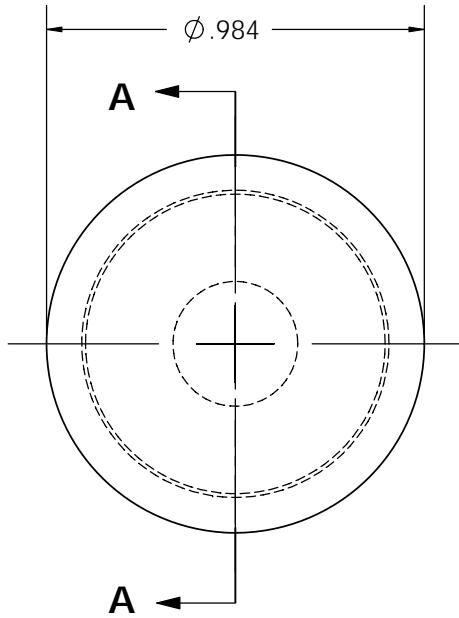
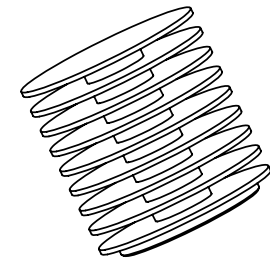


REVISION(S)			
LTR	DESCRIPTION	INIT	APP'D
A	NEW RELEASE	E.T 10/8/03	C.R 10/8/03
B	ECN: 0S60-0045-05	E.T 2/15/05	B.P 2/16/05
C	ECR-06-006382	E.T 3/16/06	C.W 3/16/06
D	ECO-09-000019	E.T 1/2/09	B.S 1/5/09



SECTION A-A



SCALE = 1X

NOTE: UNLESS OTHERWISE SPECIFIED:

1. INTERPRET DRAWING PER ASME Y14.5M - 1994.
2. RoHS COMPLIANT AND CERTIFIED.

CUSTOMER DRAWING
 SPECIFICATIONS ARE SUBJECT TO CHANGE WITHOUT NOTICE

DO NOT SCALE	Tyco Electronics Norwood, Massachusetts 02062			<small>CONFIDENTIAL PROPERTY OF TYCO ELECTRONICS. NOT TO BE DISCLOSED TO OTHERS. REPRODUCED OR USED FOR ANY PURPOSES EXCEPT AS AUTHORIZED IN WRITING BY AN AUTHORIZED OFFICIAL OF TE. MUST BE RETURNED TO TE ON DEMAND, ON COMPLETION OF ORDERS OR OTHER PURPOSES FOR WHICH LENT.</small>		TITLE: HEAT SINK		
	UNLESS OTHERWISE SPECIFIED TOLERANCES ARE:	DRAWN BY: E.TAO	DATE: 10/07/03			MATERIAL: 2011-T3 ALUM.	DIMENSIONS ARE IN: INCHES	SCALE: 2:1
	.XX ± .010 .XXX ± .005	ENGINEER: C.R	DATE: 10/07/03	FINISH: ANODIZE BLACK	SIZE: A	DWG. NO. C-1542779	REV: D	
		FILENAME	PROJECT	SYSTEM	THIRD ANGLE PROJECTION			

单击下面可查看定价，库存，交付和生命周期等信息

[>>TE Connectivity\(泰科\)](#)