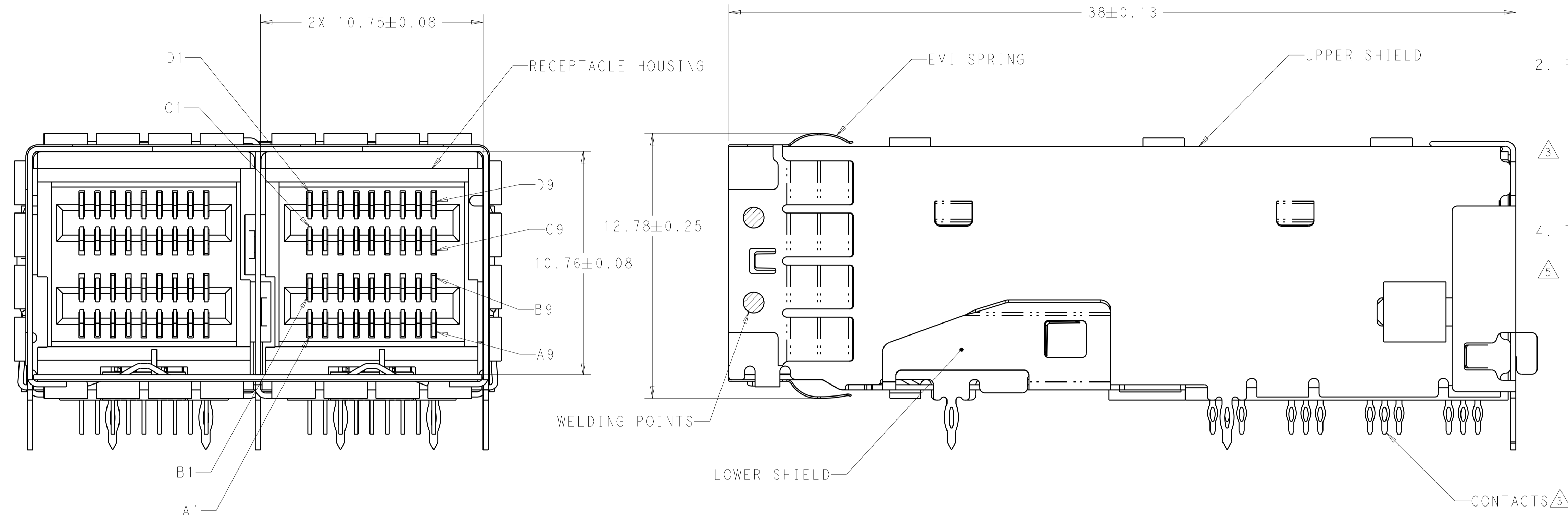
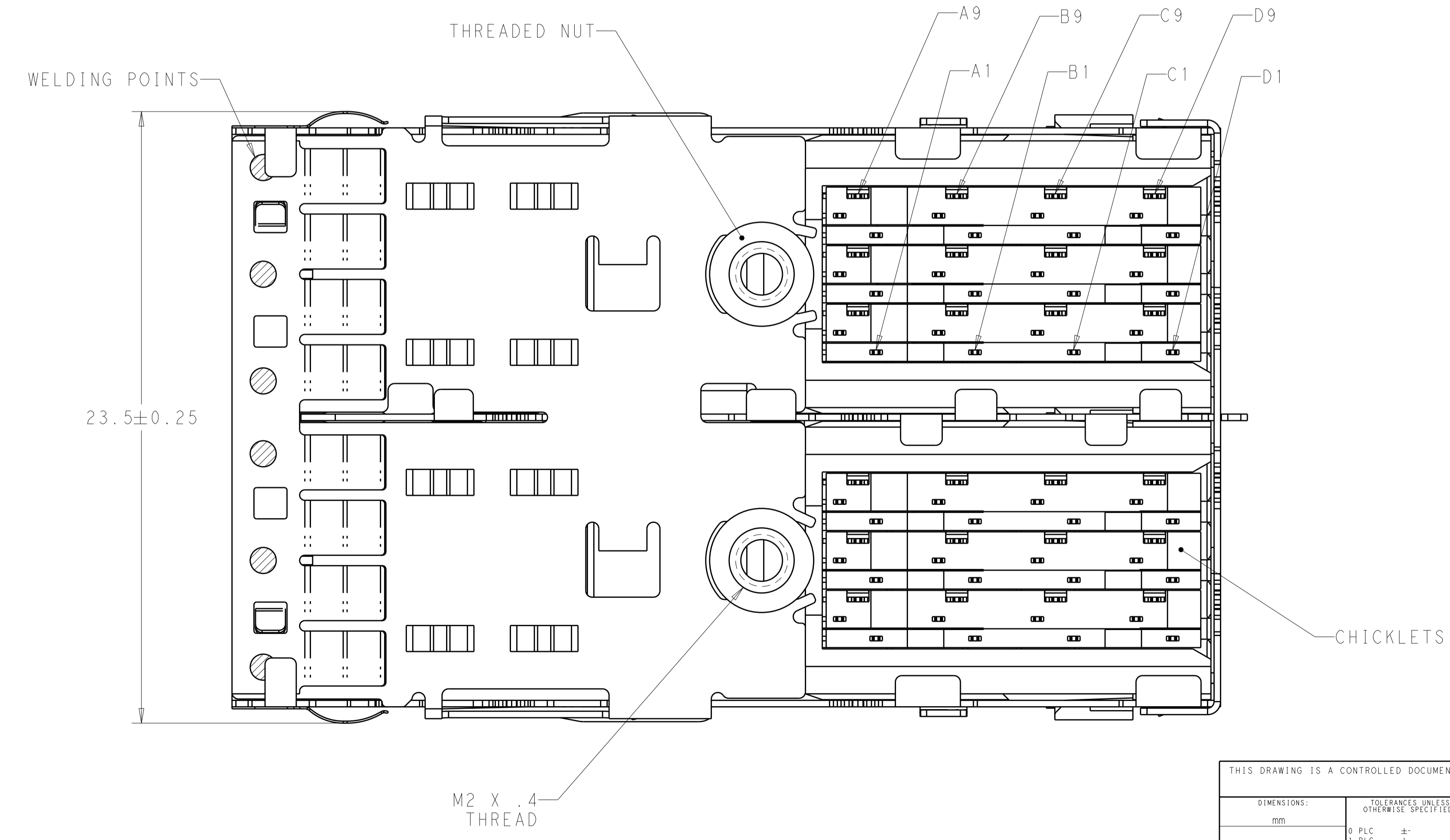


| LOC | DIST | REVISIONS | | | |
|-----|------|---------------------------|-----------|-----|------|
| P | LTN | DESCRIPTION | DATE | DMN | APVD |
| A | | REVISED PER ECO-14-018497 | 17DEC2014 | AP | DG |
| B | | REVISED PER ECO-15-013876 | 16MAY2016 | JY | SH |



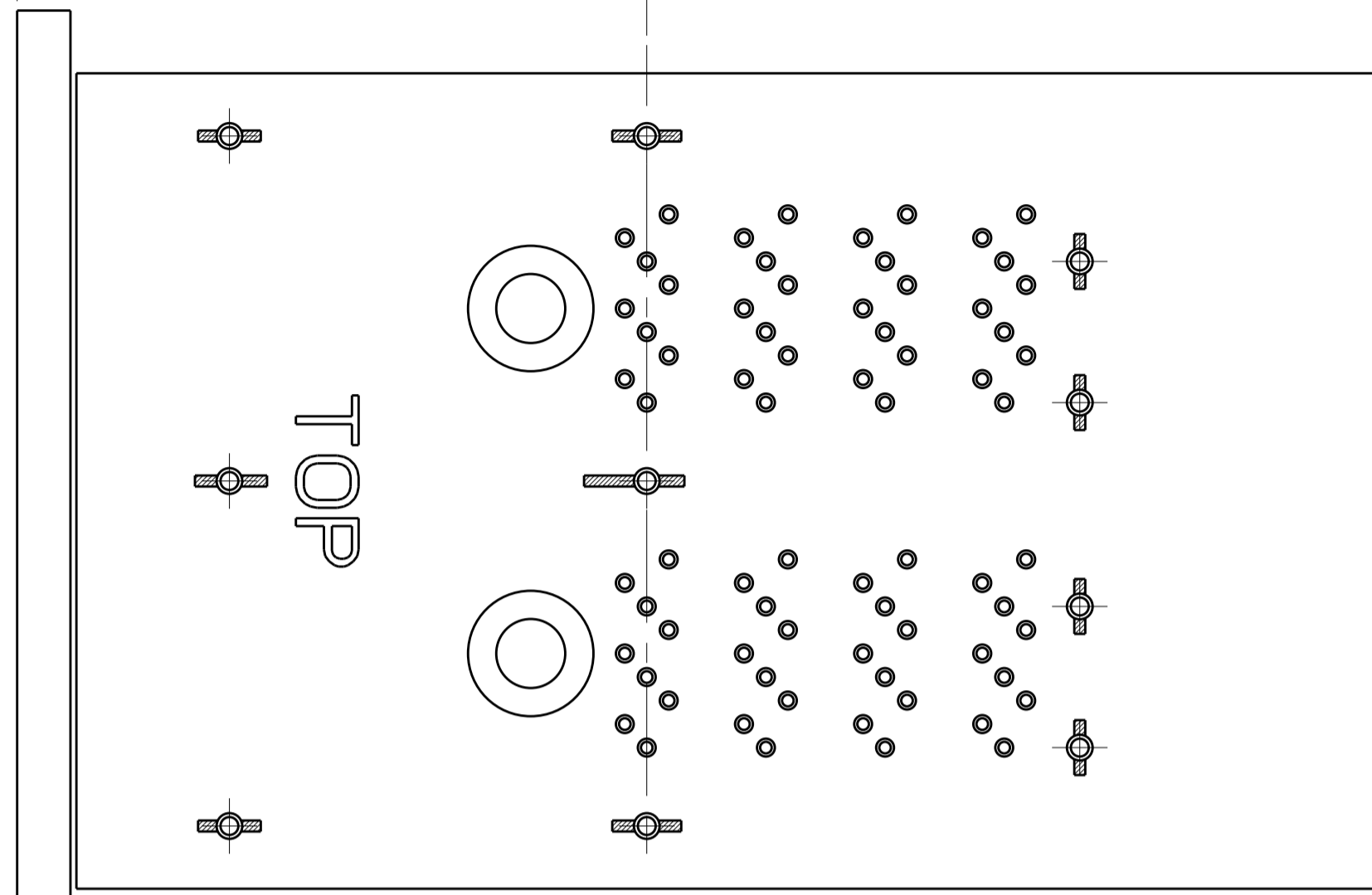
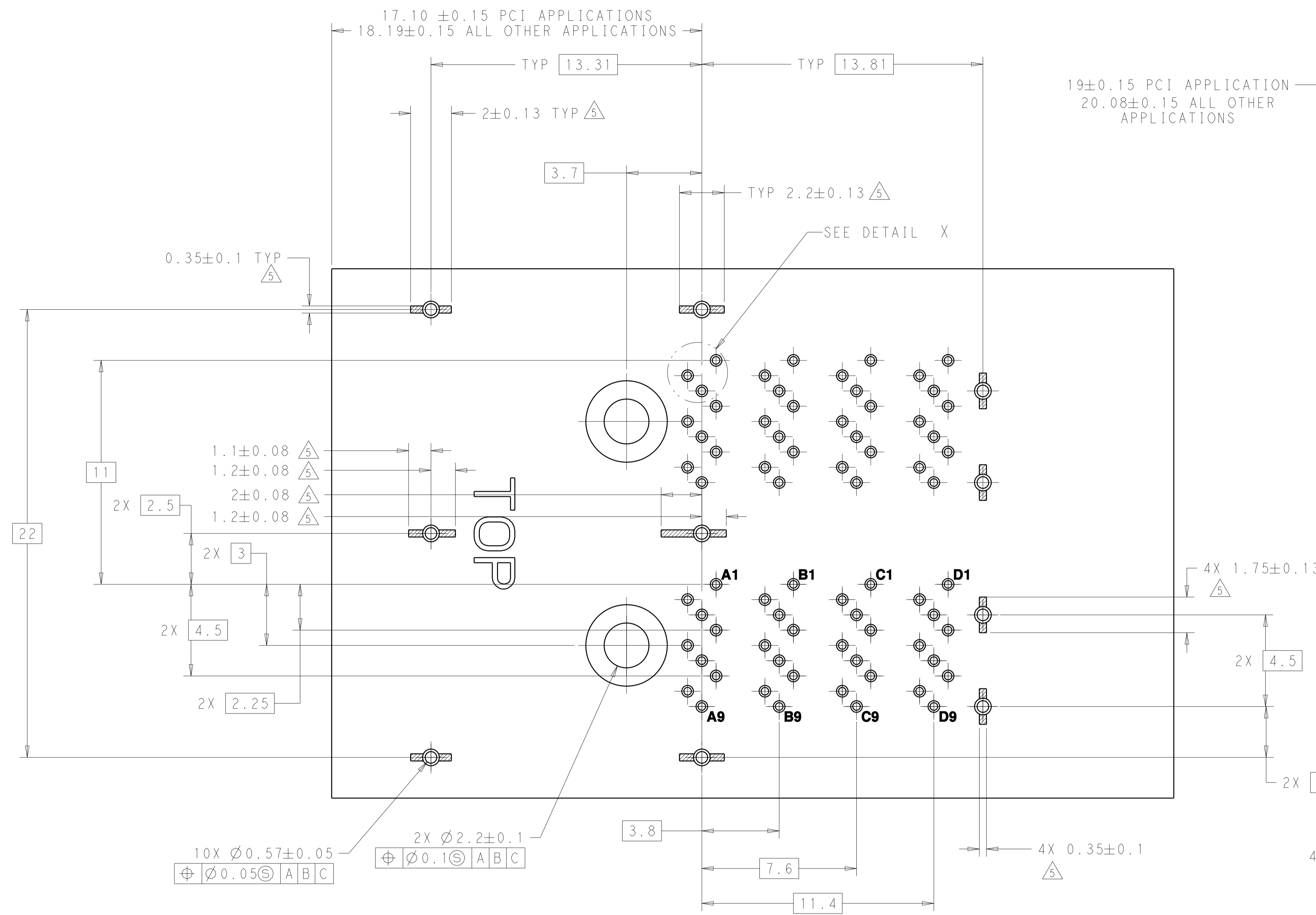
1. MATERIALS
 RECEPTACLE HOUSING, LCP, BLACK, UL94V-0 RATED
 SHIELD ASSY: NICKEL SILVER COPPER ALLOY
 CONTACTS: COPPER ALLOY
 EMI SPRING: COPPER ALLOY
 THREADED NUT: BRASS
 CHICKLETS: LCP, BLACK, UL 94V-0 RATED
 2. FINISH
 EMI SPRING: TIN PLATE OVER NICKEL PLATE
 NON-PLATED EDGES PERMISSABLE
 THREADED NUT: NICKEL PLATE
 3. CONTACT FINISH: CONFORMS TO THE REQUIREMENTS OF TE PRODUCT SPECIFICATION, 108-2462. BASED ON EIA/ECA-364-1000.01A. (CONTROLLED ENVIRONMENT APPLICATIONS) ON MATING END. TIN PLATED ON PCB TAIL
 4. THREAD LENGTH OF FASTENER = PCB THICKNESS + 1.45 MAX
- RECOMMENDED TRACE KEEP OUT ZONE



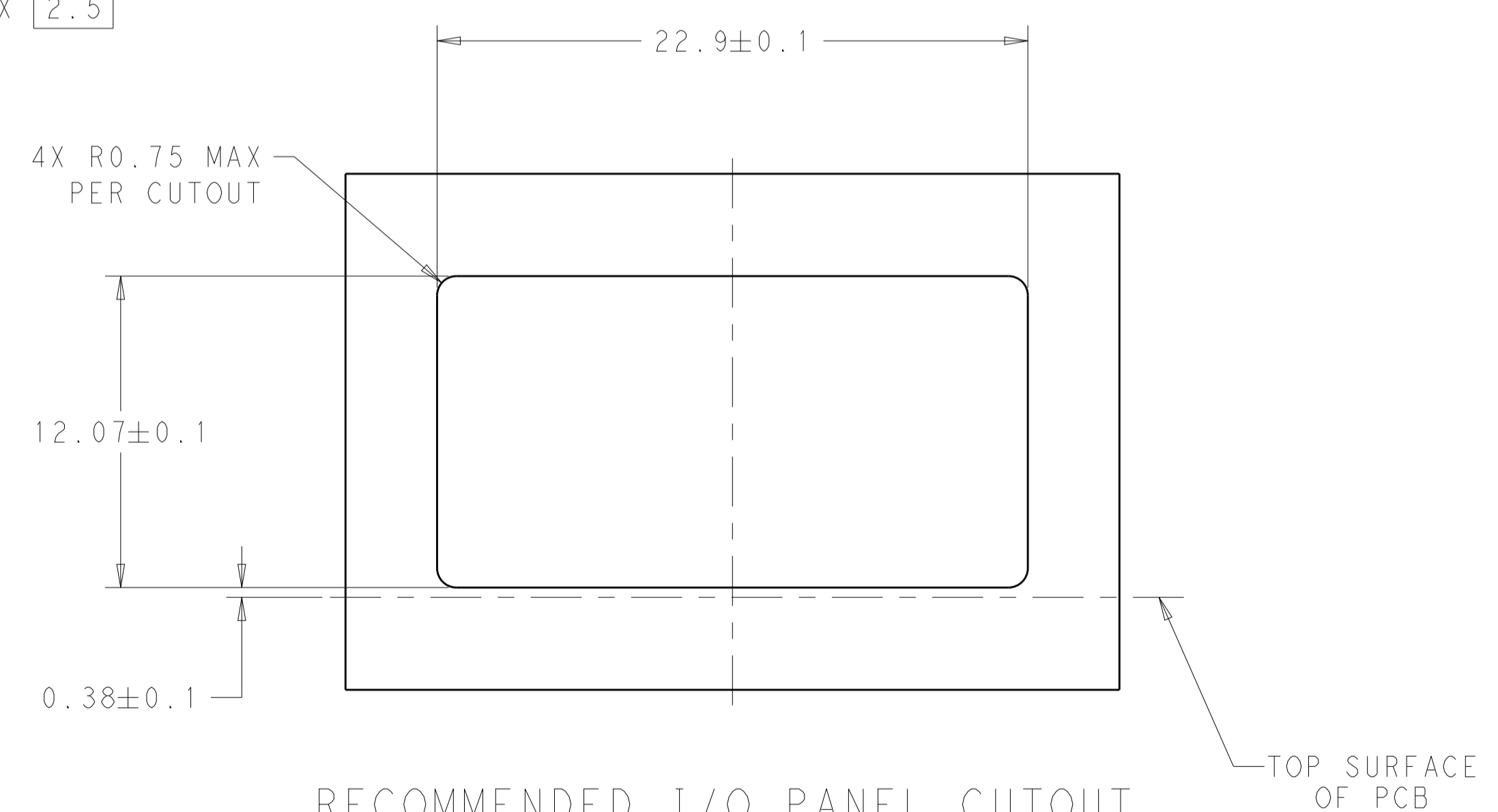
2214869-1
PART NUMBER

| | | | | | | | | | | | | | | | |
|--|---|----------------------------|-------------------------------|-------|---|-------|---|-------|---|-------|---|--------|---|-------------------|--|
| THIS DRAWING IS A CONTROLLED DOCUMENT. | | DMN: J. SECHRIST 26MAR2012 | | | | | | | | | | | | | |
| DIMENSIONS: mm | | CHK: J. SECHRIST 26MAR2012 | | | | | | | | | | | | | |
| <table border="1"> <tr><td>0 PLC</td><td>±</td></tr> <tr><td>1 PLC</td><td>±</td></tr> <tr><td>2 PLC</td><td>±</td></tr> <tr><td>3 PLC</td><td>±</td></tr> <tr><td>4 PLC</td><td>±</td></tr> <tr><td>ANGLES</td><td>±</td></tr> </table> | | 0 PLC | ± | 1 PLC | ± | 2 PLC | ± | 3 PLC | ± | 4 PLC | ± | ANGLES | ± | APVD: J. SECHRIST | NAME: RECEPTACLE ASSEMBLY, MINI-SAS HD, 2X |
| 0 PLC | ± | | | | | | | | | | | | | | |
| 1 PLC | ± | | | | | | | | | | | | | | |
| 2 PLC | ± | | | | | | | | | | | | | | |
| 3 PLC | ± | | | | | | | | | | | | | | |
| 4 PLC | ± | | | | | | | | | | | | | | |
| ANGLES | ± | | | | | | | | | | | | | | |
| MATERIAL: - | | FINISH: - | PRODUCT SPEC: 108-2462 | | | | | | | | | | | | |
| - | | - | APPLICATION SPEC: 114-13316 | | | | | | | | | | | | |
| - | | - | WEIGHT: - | | | | | | | | | | | | |
| - | | - | Customer Drawing | | | | | | | | | | | | |
| - | | - | RESTRICTED TO: - | | | | | | | | | | | | |
| - | | - | SCALE: 8:1 SHEET 1 OF 2 REV B | | | | | | | | | | | | |

| LOC | DIST | REVISIONS | | | |
|-----|------|-------------|------|-----|------|
| P | LTN | DESCRIPTION | DATE | DMN | APVD |
| - | - | SEE SHEET 1 | - | - | - |



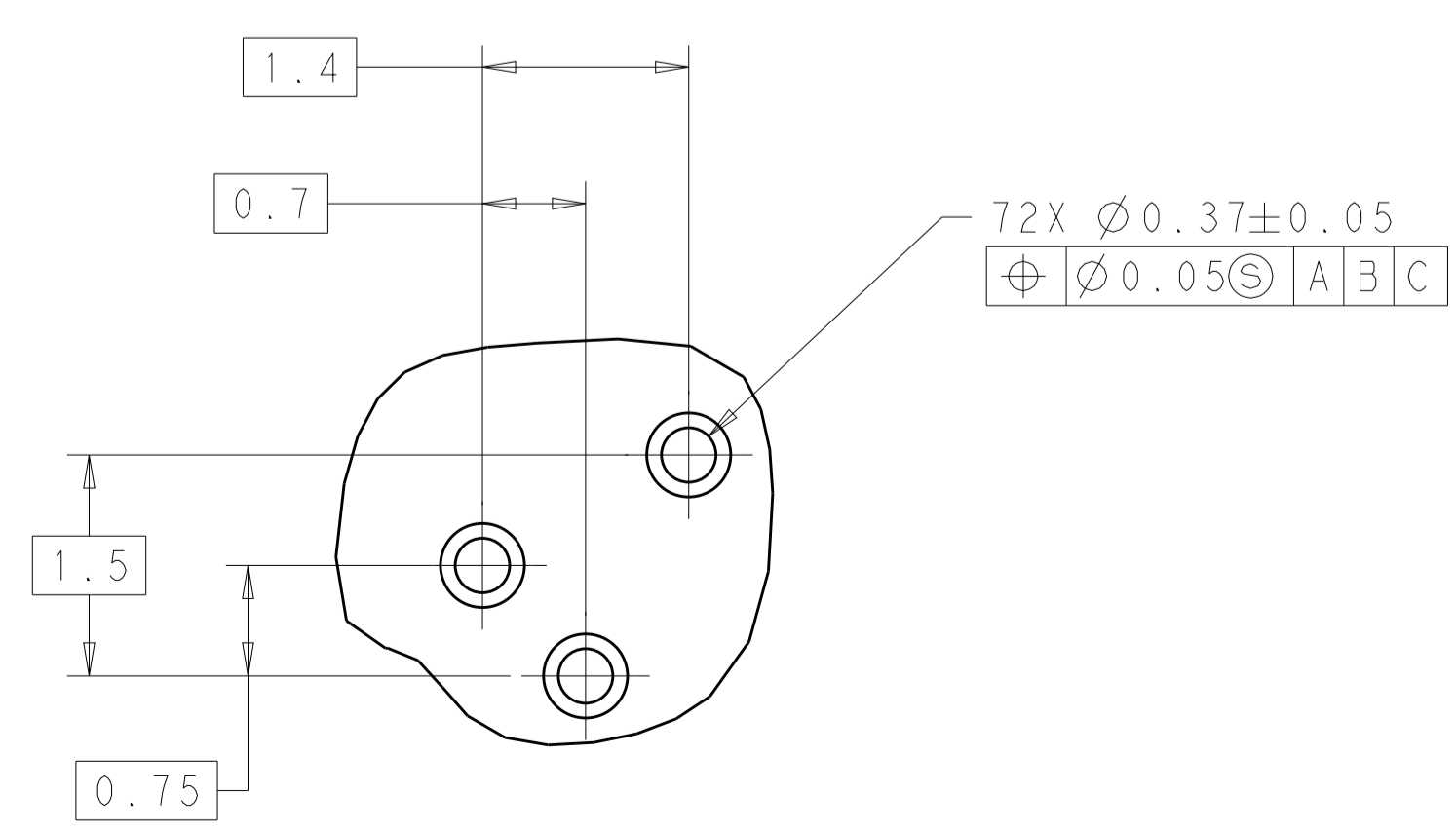
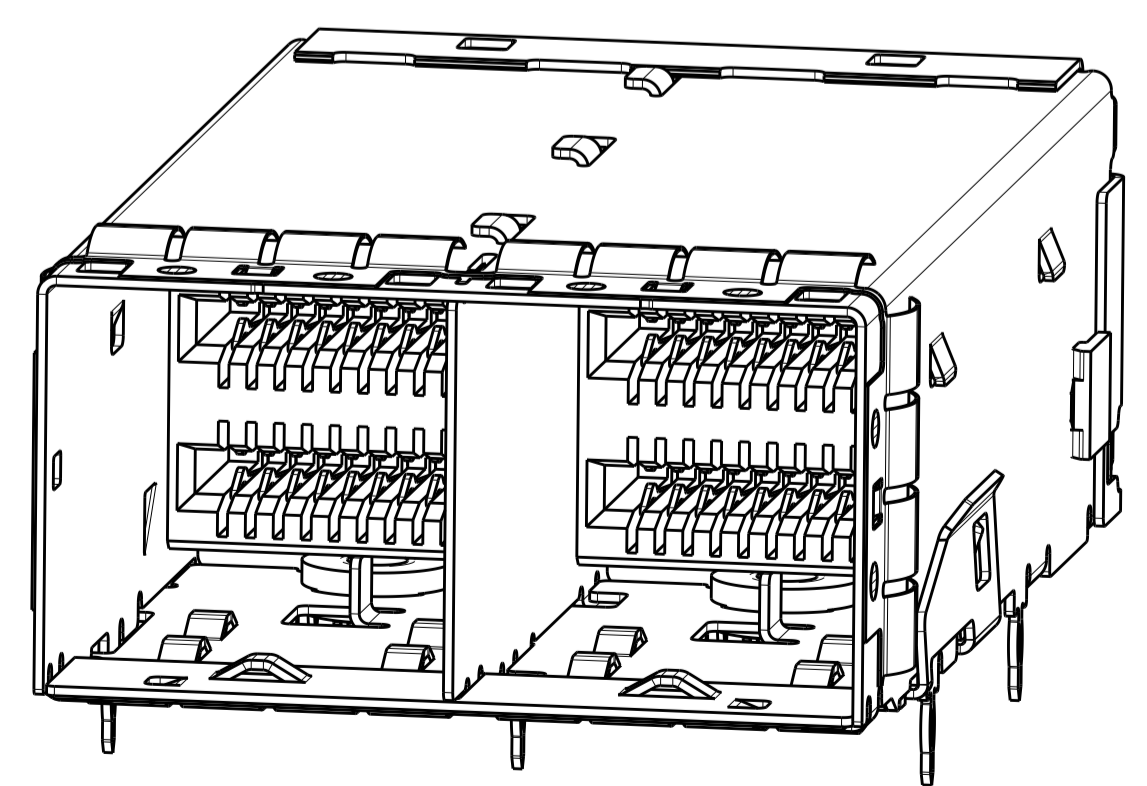
PANEL/PCB ASSEMBLY
SCALE=5:1



RECOMMENDED I/O PANEL CUTOUT
SCALE=5:1

TOP SURFACE OF PCB

RECOMMENDED PCB LAYOUT



DETAIL X
SCALE 20:1

| | | | |
|--|--|-----------------------------|--|
| THIS DRAWING IS A CONTROLLED DOCUMENT. | | DMN: J. SECHRIST 26MAR2012 | TE Connectivity |
| DIMENSIONS: mm | | CHK: J. SECHRIST 26MAR2012 | |
| TOLERANCES UNLESS OTHERWISE SPECIFIED: | | APVD: - | NAME: RECEPTACLE ASSEMBLY, MINI-SAS HD, 2X |
| 0 PLC ± | | PRODUCT SPEC: 108-2462 | SIZE: A1 |
| 1 PLC ± | | APPLICATION SPEC: 114-13316 | CAGE CODE: 2214869 |
| 2 PLC ± | | WEIGHT: - | RESTRICTED TO: - |
| 3 PLC ± | | FINISH: - | SCALE: 8:1 |
| 4 PLC ± | | MATERIAL: - | SHEET: 2 OF 2 |
| ANGLES ± | | Customer Drawing | REV: B |

单击下面可查看定价，库存，交付和生命周期等信息

[>>TE Connectivity\(泰科\)](#)