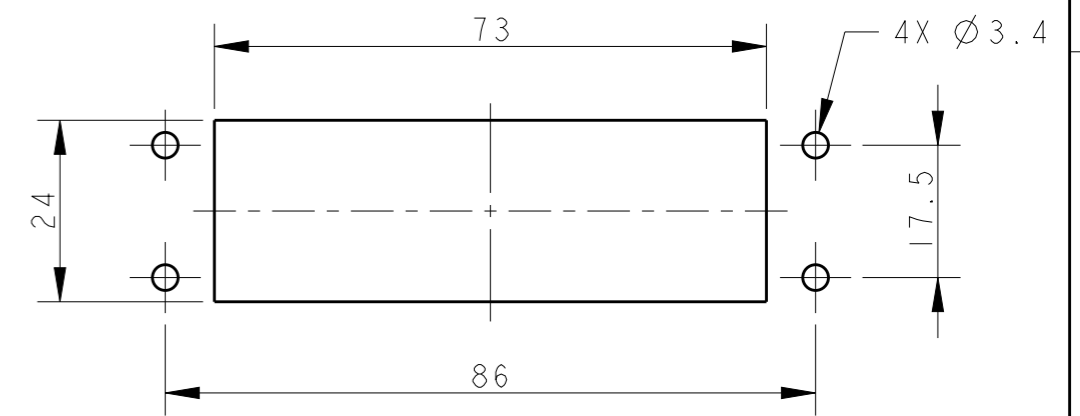
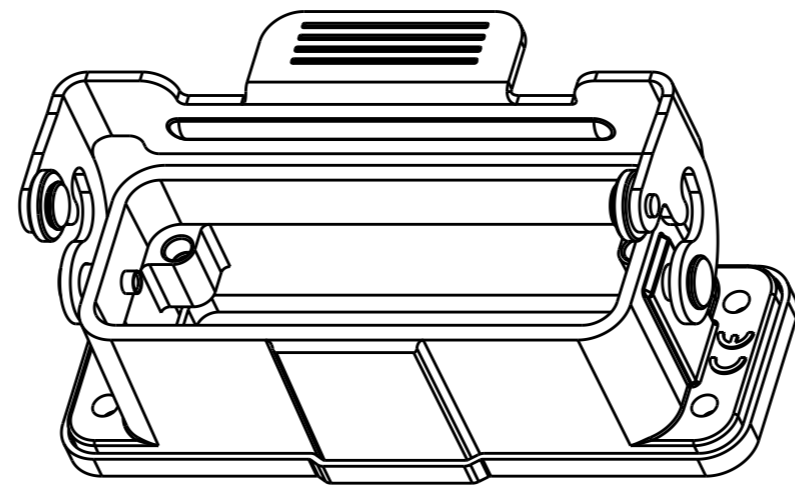
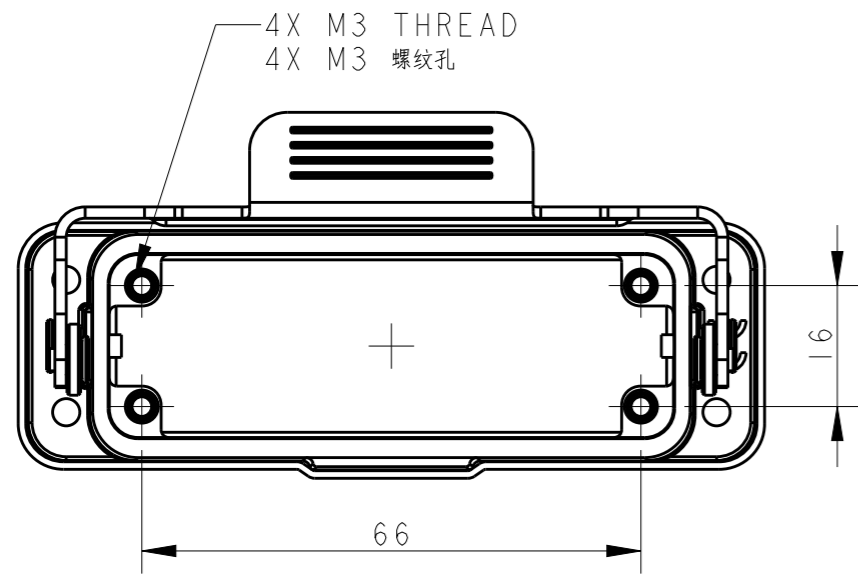
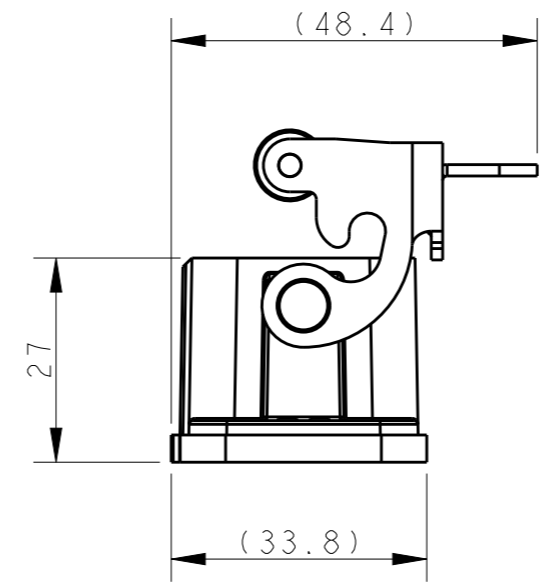
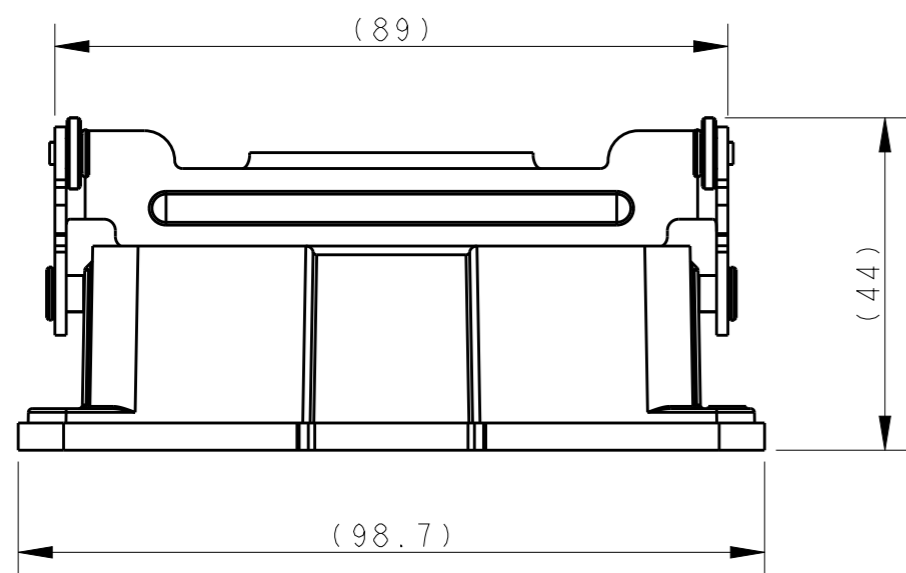


THIS DRAWING IS UNPUBLISHED. RELEASED FOR PUBLICATION 20
 © COPYRIGHT 20 BY - ALL RIGHTS RESERVED.

| REVISIONS | | | | | |
|-----------|-----|-----------------|-----------|-----|------|
| P | LTR | DESCRIPTION | DATE | DWN | APVD |
| | A | INITIAL RELEASE | 05MAY2015 | DL | CW |
| | B | ECR-18-012608 | 13AUG2018 | CH | CW |
| | C | ECR-20-009510 | 28DEC2020 | BS | CW |

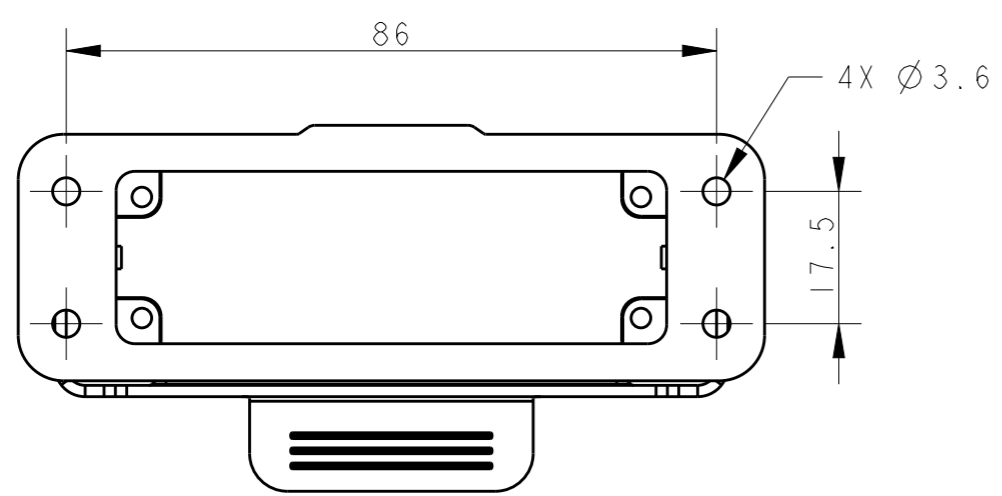


RECOMMENDED PANEL CUT OUT DIMENSIONS
 推荐面板开孔尺寸



NOTES:
 1. TECHNICAL CHARACTERISTICS:
 BODY MATERIAL: DIE CAST ALUMINIUM ALLOY
 SURFACE TREATMENT: POWDER-COATED, GREY
 DEGREE OF PROTECTION: IP65 (MATED)

注释:
 1. 技术参数:
 主体材料: 铝合金
 表面处理: 灰色粉末喷涂
 防护等级: IP65(配合)



| | | |
|-------------------|------------------------|--|
| T1509161000-000 | HI6A-AGS | HI6A HOUSING, BULKHEAD MOUNTED, STAINLESS STEEL SINGLE LOCKING, POWDER COATED, GREY HI6A下壳, 开孔安装, 不锈钢单扣, 灰色粉末喷涂 |
| PART NUMBER 料号 | PART DESCRIPTION 描述 | |

| | | | | | |
|--|--|---|--------------------------------|--------------------------------|----------------|
| THIS DRAWING IS A CONTROLLED DOCUMENT. | | DWN 05MAY2015 DAVID LI | STE TE Connectivity | | |
| | | CHK 05MAY2015 CHRIS WANG | | | |
| | | APVD 05MAY2015 XU XIANG | NAME HI6A-AGS | | |
| DIMENSIONS: mm | | TOLERANCES UNLESS OTHERWISE SPECIFIED: 0 PLC ±- 1 PLC ±- 2 PLC ±- 3 PLC ±- 4 PLC ±- ANGLES ±- | PRODUCT SPEC 108-137010 | RESTRICTED TO | |
| MATERIAL - | | FINISH - | APPLICATION SPEC 114-137010 | SIZE A3 | CAGE CODE - |
| | | | WEIGHT - | DRAWING NO C-T1509161000000 | SCALE 1:1 |
| CUSTOMER DRAWING | | | SHEET 1 OF 1 | | REV C |

单击下面可查看定价，库存，交付和生命周期等信息

[>>TE Connectivity\(泰科\)](#)