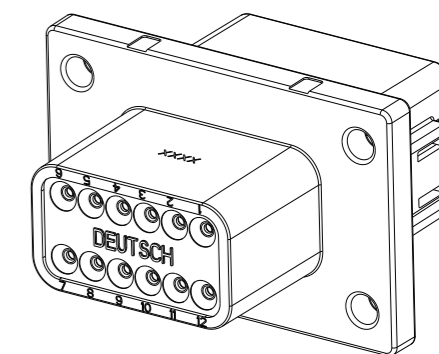
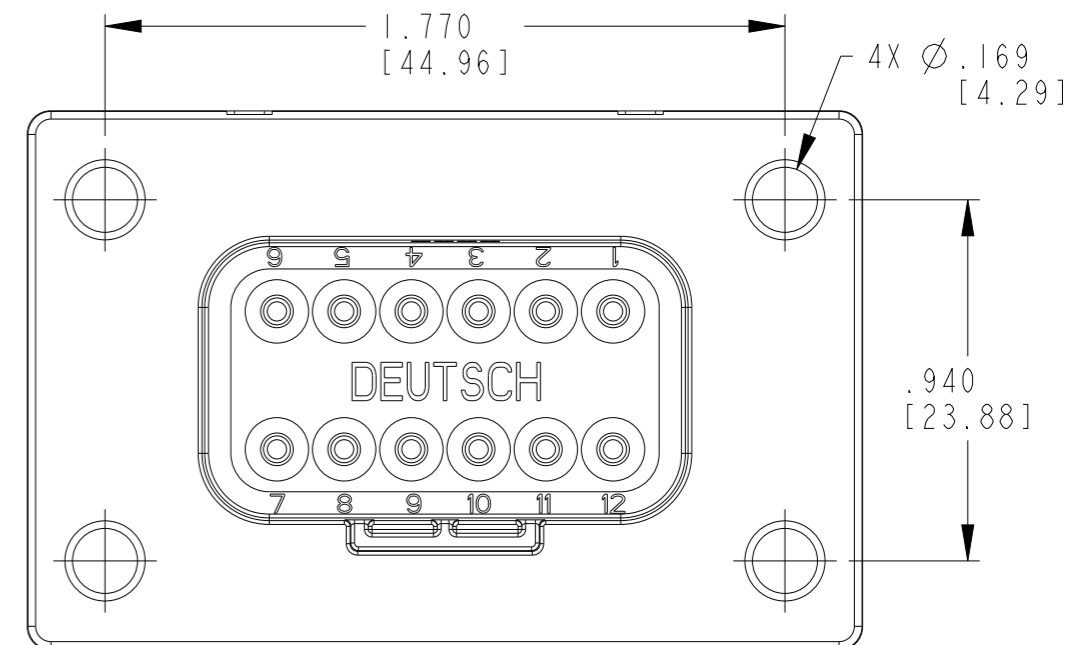
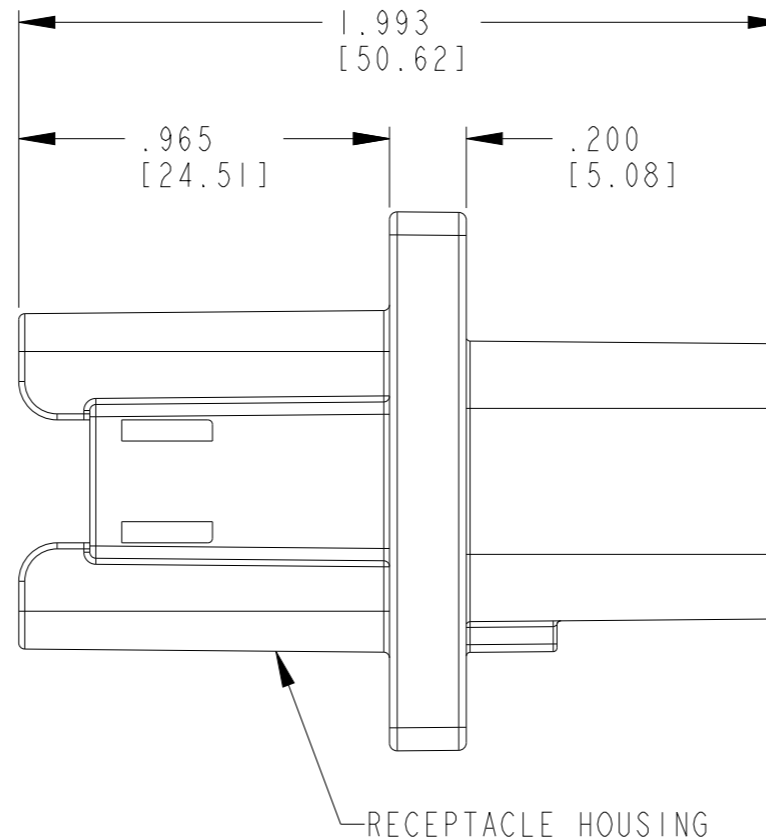
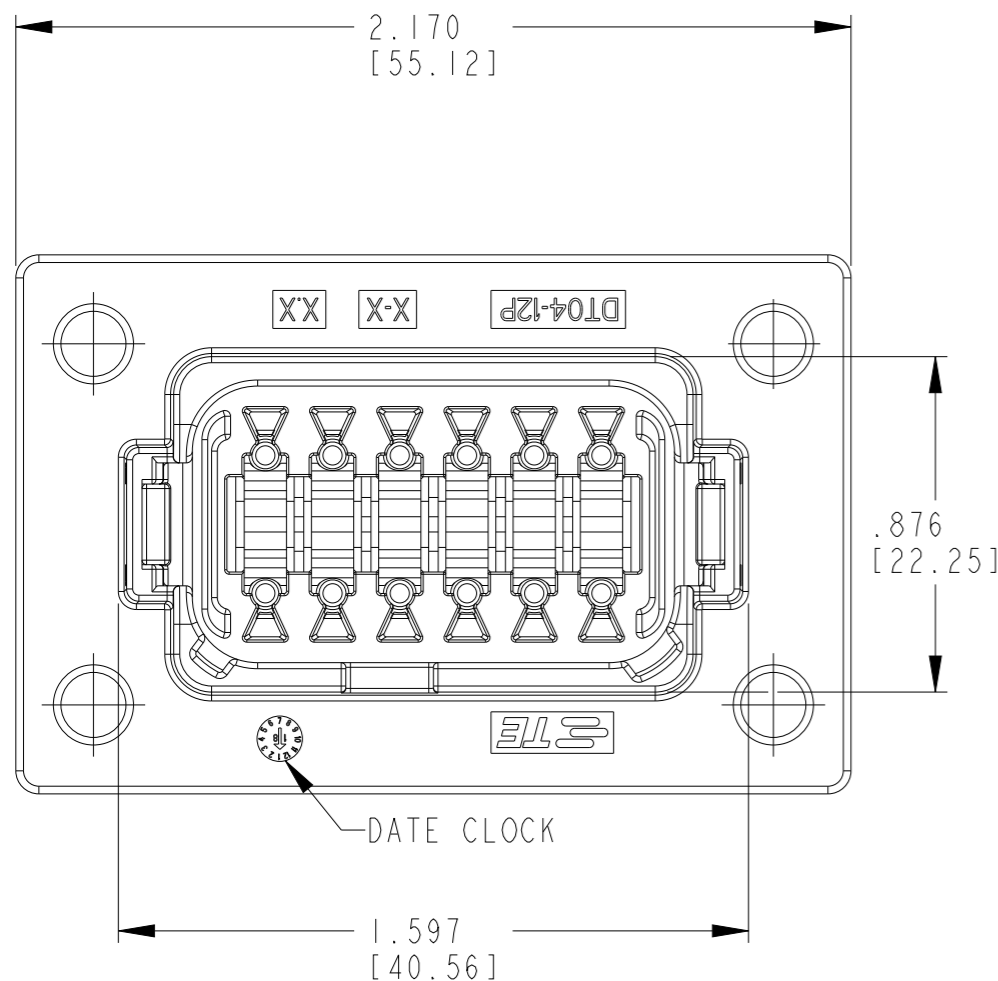


P	LTR	DESCRIPTION	DATE	DWN	APVD
NC		NEW RELEASE/REPLACES PREVIOUS	-	-	-
-		RELEASE PER E.O. P20101	15APR2009	-	RDR
A		REVISED PER E.O. P20438	18MAY2010	-	RDR
C		REVISED PER PCN E-20-009825	29JUN2020	PMV	IG



3-DIMENSIONAL VIEW

CONTACT SIZE	MIN. INSUL. O.D.	MAX. INSUL. O.D.	WIRE RANGE [mm ²]
16	.088 [2.24]	.145 [3.68]	14-20 AWG [2.0-0.5]

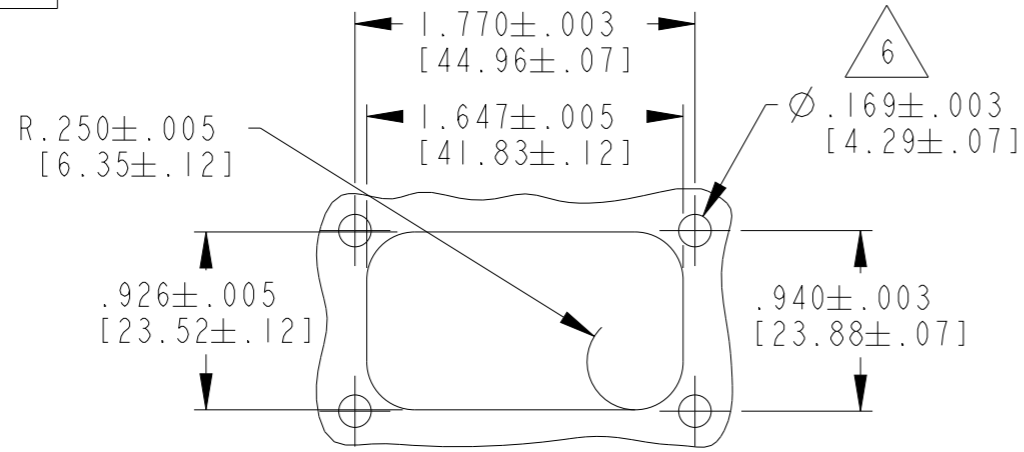
- 7. SECONDARY WEDGE LOCK SOLD SEPARATELY: W12P-XXXX. (XXXX = ALL MODIFICATIONS)
- 6. RECOMMENDED SCREW: 6-32 [M4]. RECOMMENDED TORQUE: 20-25 IN-LB [2.26-2.82 Nm].
- 5. MATERIAL - HOUSING: PA66 GF15 GROMMET: VMQ (ORANGE RED)
- 4. THIS RECEPTACLE MATES WITH DT06-12SX-XXXX PLUG. (X = KEY ARR. A,B,C,D; XXXX = ALL MODIFICATIONS) CONSULT FACTORY FOR MODIFICATIONS.

- 3. FOR CONTACT AND WIRE PERFORMANCE AND APPLICATION CHARACTERISTICS, SEE ENVELOPE DRAWING 0425-015-0000.
- 2. DELETED
- 1. DELETED

NOTES:

THIS DRAWING IS A CONTROLLED DOCUMENT.		DWN 01JUN2009 R. MESSENGER		TE Connectivity	
DIMENSIONS: INCHES [mm]		CHK 14MAY2010 R. MCCORD			
TOLERANCES UNLESS OTHERWISE SPECIFIED:		APVD 04MAY2010 S. BEARD		NAME 12 WAY RECEPTACLE WITH ENHANCED KEY AND FLANGE DT SERIES	
0 PLC ±- 1 PLC ±- 2 PLC ±- 3 PLC ±.025 [0.64] 4 PLC ±- ANGLES ±0° 30' 0"		PRODUCT SPEC 108-151009		SIZE A3	
MATERIAL		APPLICATION SPEC 114-151009		CAGE CODE 00779	
FINISH		WEIGHT -		DRAWING NO DT04-12PX-BL04	
5		CUSTOMER DRAWING		RESTRICTED TO -	
		SCALE 2:1		SHEET 1 OF 2	
				REV C	

P	LTR	DESCRIPTION	DATE	DWN	APVD
-	-	SEE SHEET 1	-	-	-



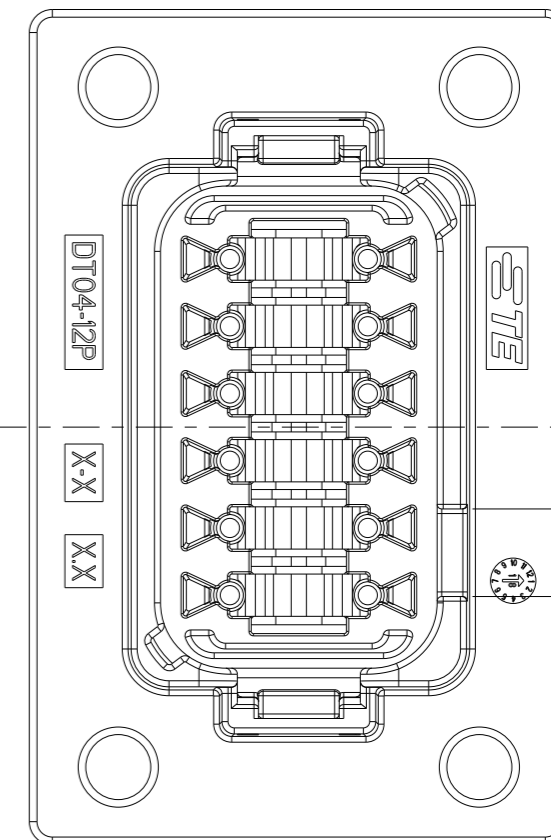
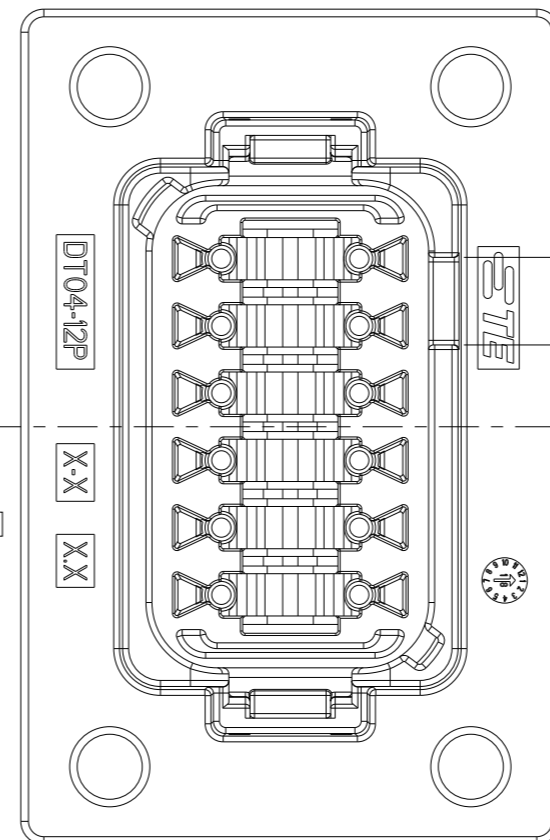
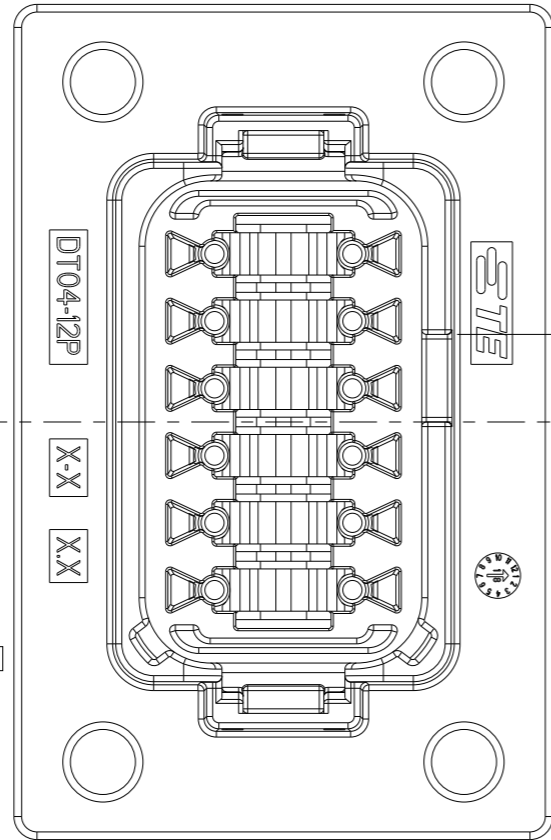
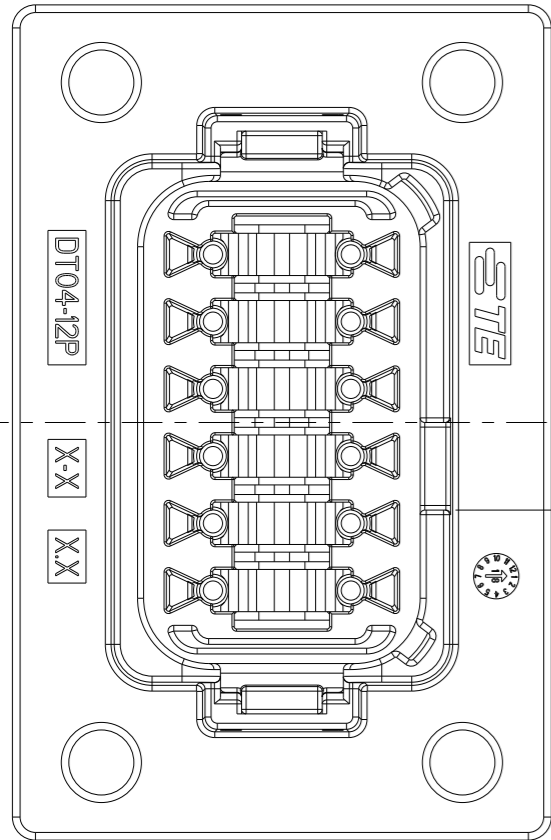
RECOMMENDED PANEL CUTOUT

DT04-12PA-BL04
KEY -A-
COLOR: GRAY

DT04-12PA-BL04
KEY -B-
COLOR: BLACK

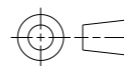
DT04-12PA-BL04
KEY -C-
COLOR: GREEN

DT04-12PA-BL04
KEY -D-
COLOR: BROWN



THIS DRAWING IS A CONTROLLED DOCUMENT.

DIMENSIONS:
 INCHES [mm]



TOLERANCES UNLESS OTHERWISE SPECIFIED:

- 0 PLC ±-
- 1 PLC ±-
- 2 PLC ±-
- 3 PLC ±.025 [0.64]
- 4 PLC ±-
- ANGLES ±° 30' 0"
- FINISH -

MATERIAL

DWN R. MESSENGER 01JUN2009
 CHK R. MCCORD 14MAY2010
 APVD S. BEARD 04MAY2010
 PRODUCT SPEC 108-151009
 APPLICATION SPEC 114-151009
 WEIGHT -

CUSTOMER DRAWING



NAME
 12 WAY RECEPTACLE WITH ENHANCED KEY AND FLANGE DT SERIES

SIZE	CAGE CODE	DRAWING NO	RESTRICTED TO
A3	00779	DT04-12PX-BL04	-

SCALE 1:1 SHEET 2 OF 2 REV C

单击下面可查看定价，库存，交付和生命周期等信息

[>>TE Connectivity\(泰科\)](#)