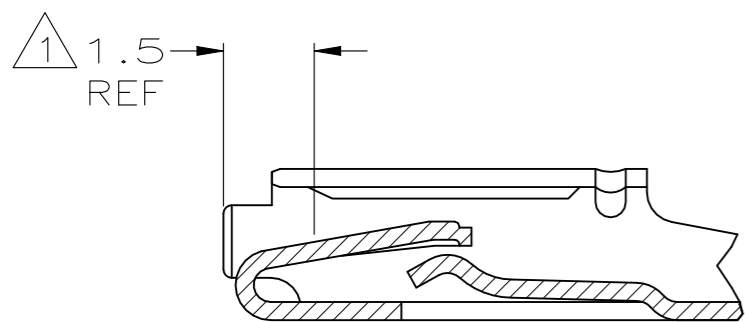
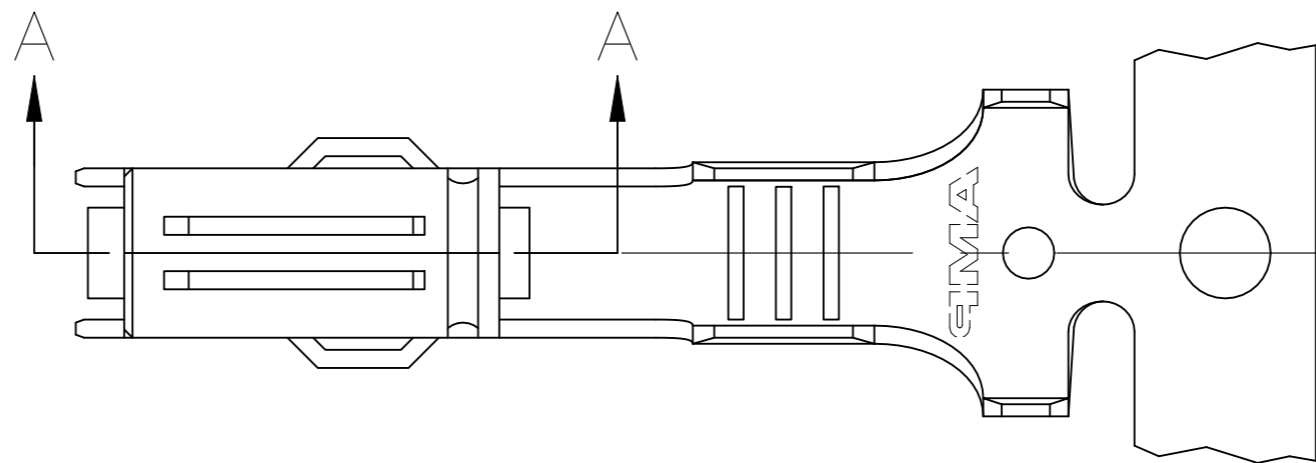
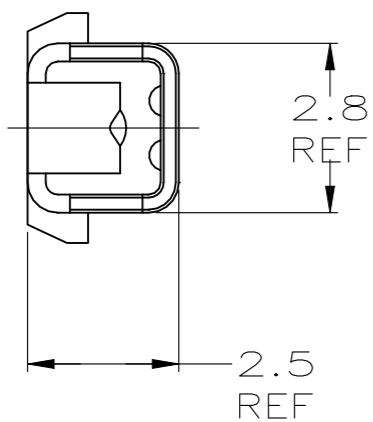
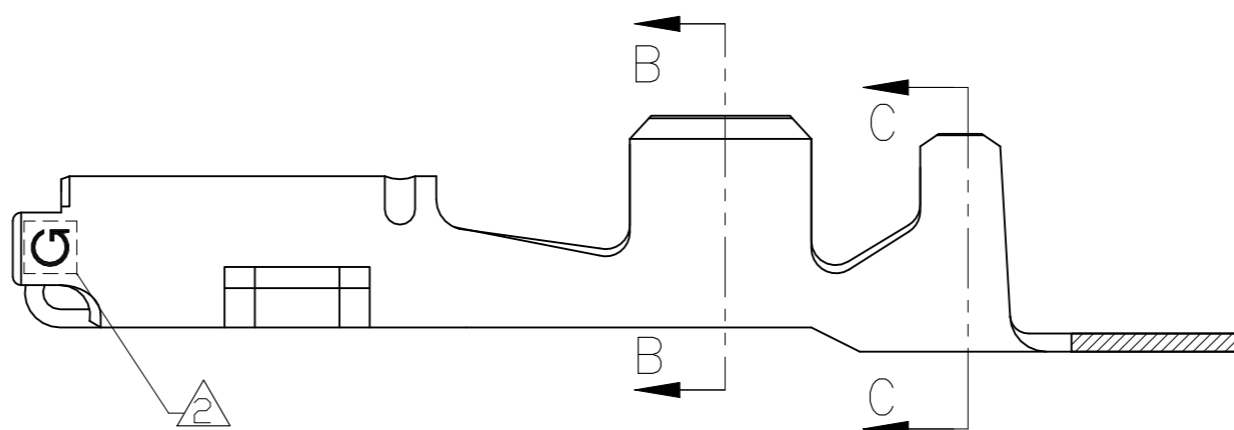


| REVISIONS | | | | | |
|-----------|-----|---------------------------|-----------|-----|------|
| P | LTR | DESCRIPTION | DATE | DWN | APVD |
| | D | REVISED PER ECO-21-002133 | 15APR2021 | SM | AH |

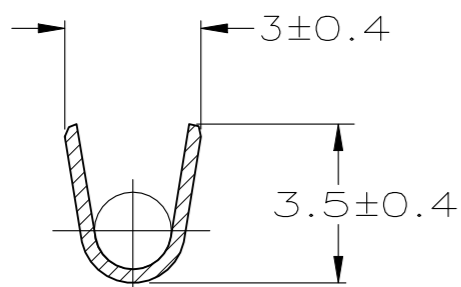
- ① NYE FLUOROETHER GREASE
- ② FOR GOLD PLATED PART ONLY - AT LEAST ONE "G" INDICATOR MUST BE VISIBLE IN THIS LOCATION ON EITHER SIDE INDICATING GOLD PLATED CONTACT



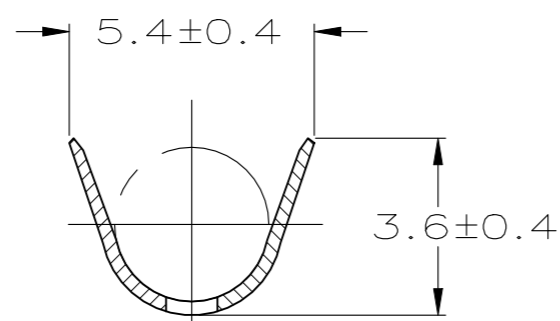
SECTION A-A
SCALE 8:1



| | | | |
|-------------|---------------------|---|-------------|
| TIN | 1.2 - 2.7 ϕ | AVS 0.5 - 2.0mm ² (#20 - #14 AWG) | 184289-3 |
| SELECT GOLD | 1.2 - 2.7 ϕ | AVS 0.5 - 2.0mm ² (#20 - #14 AWG) | 184289-1 |
| FINISH | INSULATION DIAMETER | WIRE RANGE | PART NUMBER |



SECTION B-B



SECTION C-C

THIS DRAWING IS A CONTROLLED DOCUMENT.

| | | | |
|------------------|------------|----------|----------------------------|
| DWN | K.WISE | 04/14/97 | STE TE Connectivity |
| CHK | E.OSWANDEL | 04/15/97 | |
| APVD | E.OSWANDEL | 04/15/97 | |
| PRODUCT SPEC | | | NAME |
| APPLICATION SPEC | | | CONTACT, RECEPTACLE, .070 |
| MATERIAL | | | SIZE |
| PH BRZ (0.3 THK) | | | CAGE CODE |
| FINISH | | | DRAWING NO |
| | | | A3 00779 C-184289 |
| CUSTOMER DRAWING | | | RESTRICTED TO |
| | | | - |
| SCALE | | | 8:1 |
| SHEET | | | 1 OF 1 |
| REV | | | D |

单击下面可查看定价，库存，交付和生命周期等信息

[>>TE Connectivity\(泰科\)](#)