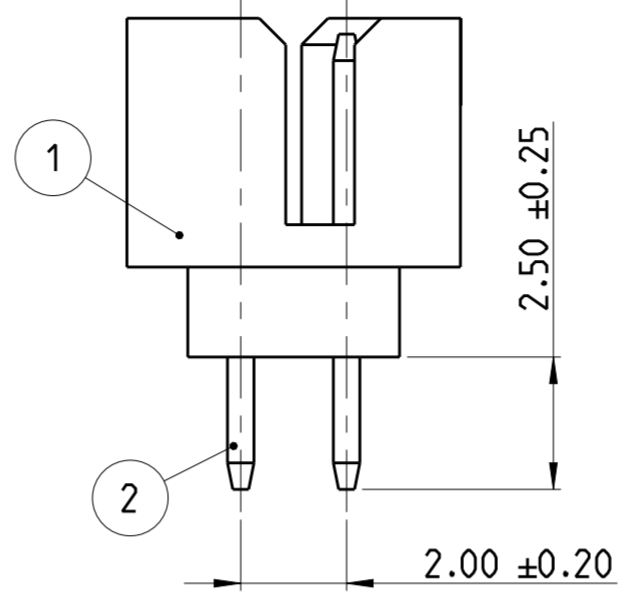
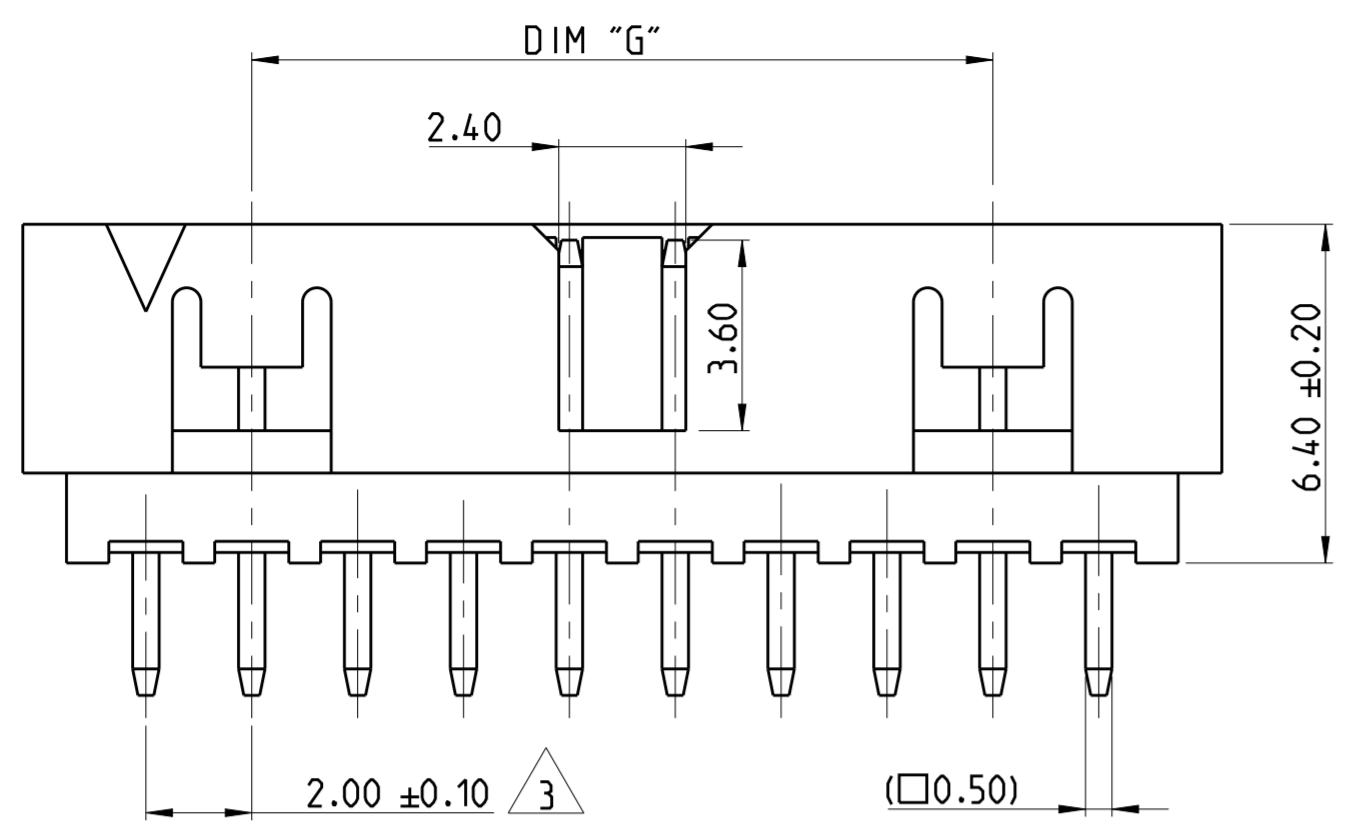
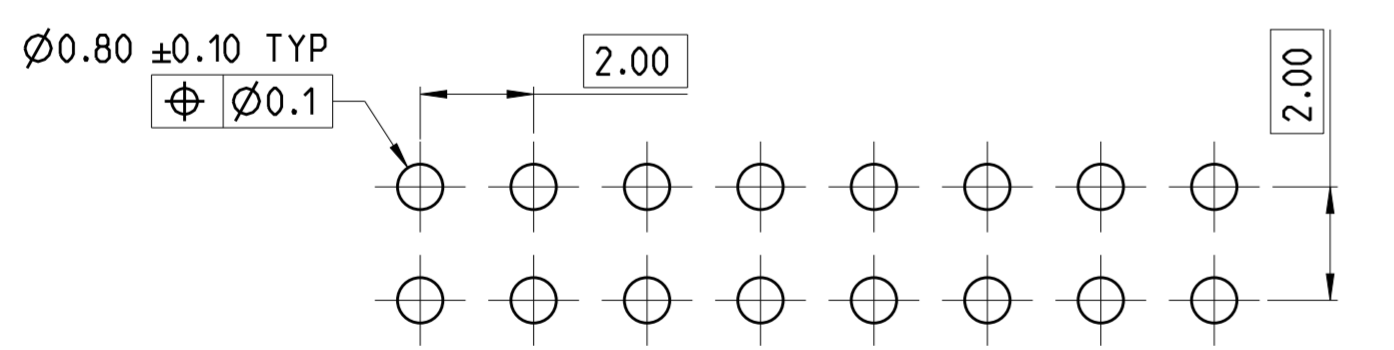
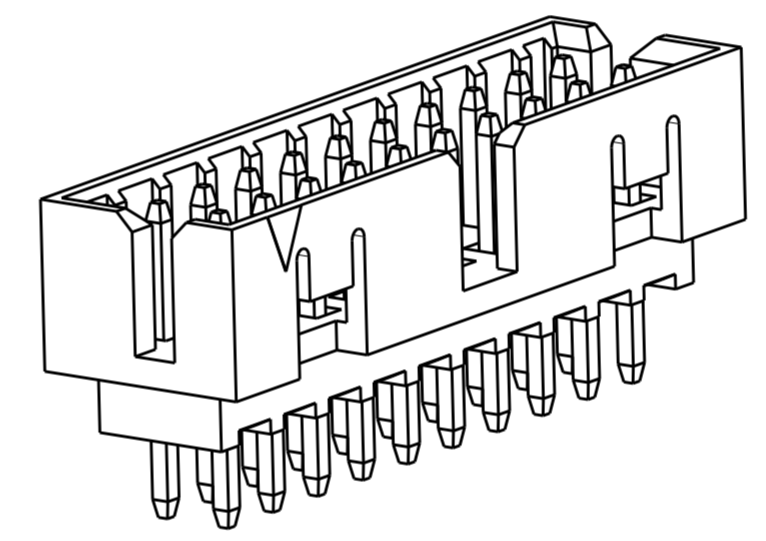
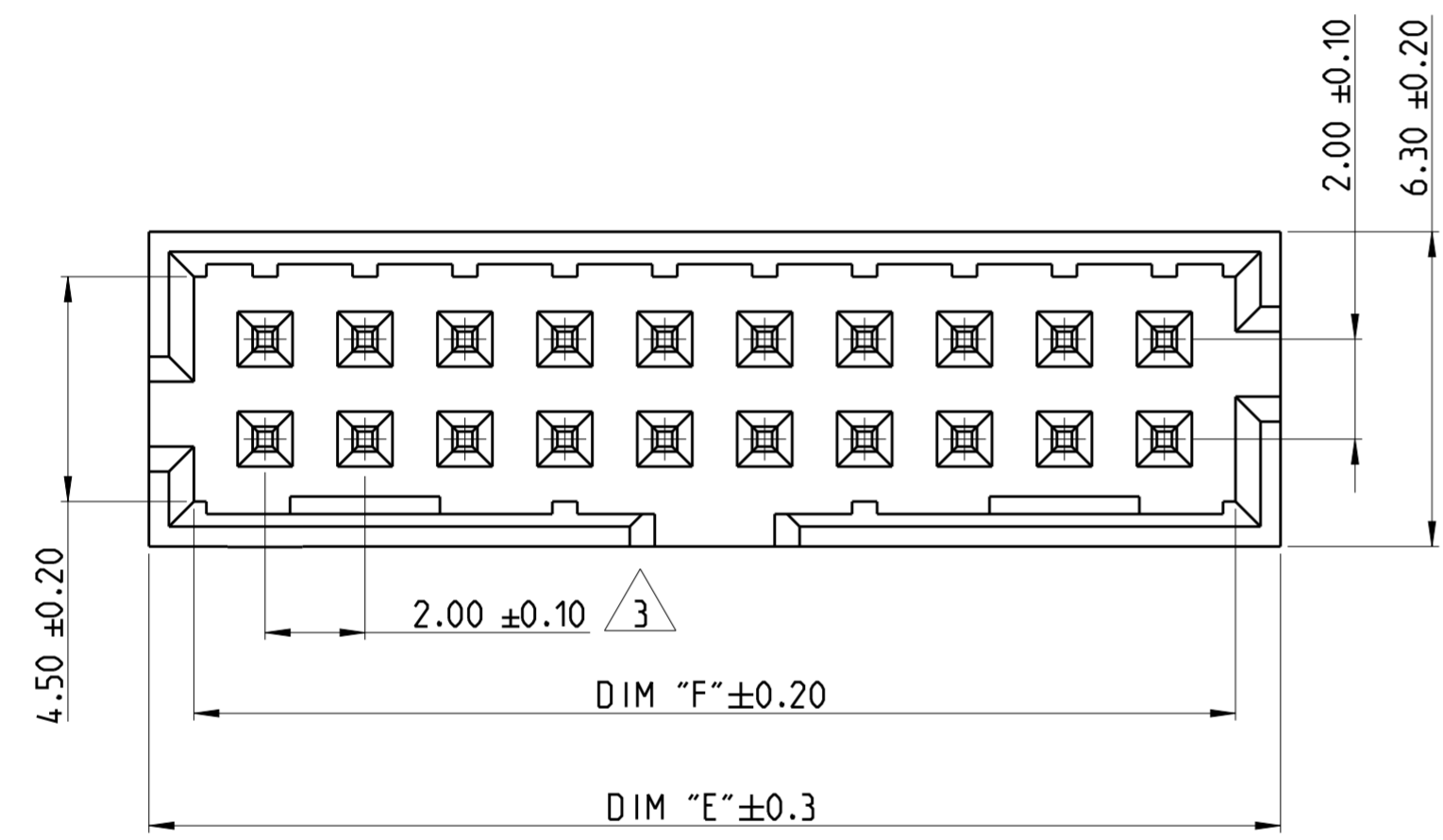


© 2019 TE Connectivity. All Rights Reserved.

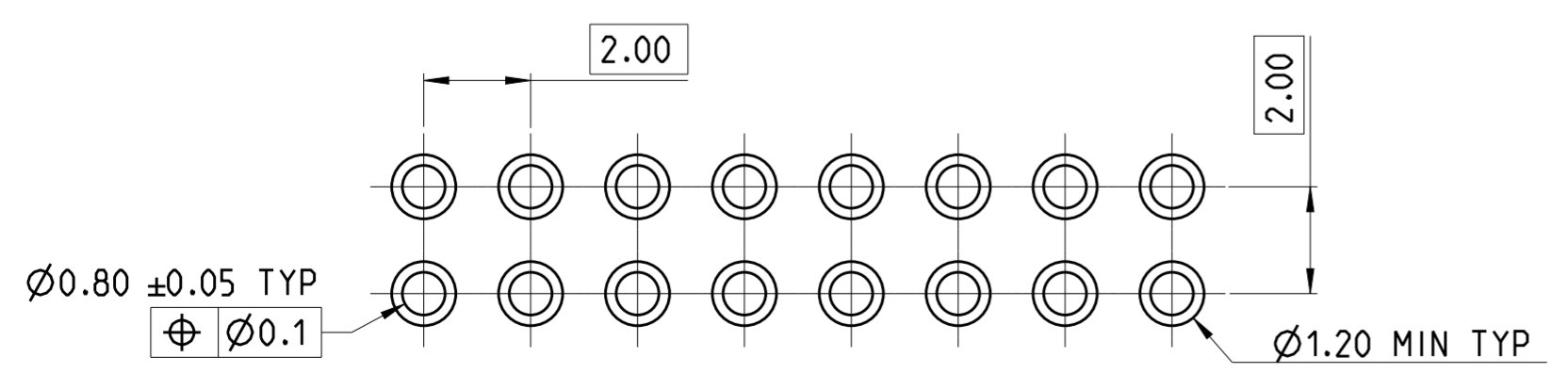
REVISIONS				
P	LTR	DESCRIPTION	DATE	APVD
A		RELEASE TO PRODUCTION	28NOV2019	AY PS



- NOTES:
- MATERIAL
HOUSING : HIGH TEMPERATURE THERMOPLASTIC, UL94-V0; COLOR- BLACK
POST : COPPER ALLOY
FINISH : MIN. 2.0 µm TIN OVER NICKEL UNDER PLATING.
 - PACKAGING: TUBE
 - TOLERANCE NOT CUMULATIVE.



RECOMMENDED PCB HOLE PATTERN FOR THROUGH HOLE WAVE



RECOMMENDED PCB HOLE PATTERN FOR THROUGH HOLE REFLOW /PIN-IN-PASTE

2-2842235-0 AS SHOWN

44	50.85	52.65	50	5-2842235-0
38	44.85	46.65	44	4-2842235-4
34	40.85	42.65	40	4-2842235-0
28	34.85	36.65	34	3-2842235-4
24	30.85	32.65	30	3-2842235-0
20	26.85	28.65	26	2-2842235-6
18	24.85	26.65	24	2-2842235-4
14	20.85	22.65	20	2-2842235-0
10	16.85	18.65	16	1-2842235-6
8	14.85	16.65	14	1-2842235-4
DIM "G"	DIM "F"	DIM "E"	POS.	TE PN.

CONTACT PIN	2
HOUSING	1
DESCRIPTION	ITEM NO.

DIMENSIONS:		TOLERANCES UNLESS OTHERWISE SPECIFIED:	
mm		0 PLC	±
		1 PLC	±
		2 PLC	±0.25
		3 PLC	±
		4 PLC	±
		ANGLES	±2°
		FINISH	-

THIS DRAWING IS A CONTROLLED DOCUMENT.			
DWN	12NOV2019	ANKIT YADAV	
CHK	25NOV2019	KARTHIK JK	
APVD	27NOV2019	PRASHANTH S.	
PRODUCT SPEC		108-64040	
APPLICATION SPEC		114-32259	
WEIGHT		-	
CUSTOMER DRAWING		-	

TE Connectivity			
NAME: AMPMODU 2mm SHROUDED HEADER, DUAL ROW, VERTICAL TH. SN. TUBE			
SIZE	CAGE CODE	DRAWING NO	RESTRICTED TO
A2	00779	C-2842235	-
SCALE 5:1		SHEET 1 OF 1	REV A

单击下面可查看定价，库存，交付和生命周期等信息

[>>TE Connectivity\(泰科\)](#)