

THIS DRAWING IS UNPUBLISHED. RELEASED FOR PUBLICATION AUGUST ,2006.

© COPYRIGHT 2006 By - ALL RIGHTS RESERVED.

LOC	DIST	REVISIONS					
E	B	P	LTR	DESCRIPTION	DATE	DWN	APVD
			D2	REVISED PER ECO-11-005033	01APR11	RK	HMR

NOTES

1 SINGLE PACK IN ACCORDANCE WITH AMP SPEC 107-3275

2 50 TRAY PACK IN ACCORDANCE WITH AMP SPEC 107-3275

3 Au PLATING

4 Ni PLATING

5 HAND TOOL: 9-1478240-0

6 DIE SET: 9-1478242-0

7 ELECTRICAL CHARACTERISTICS

FREQUENCY RANGE:	DC - 2 GHz
NOMINAL IMPEDANCE:	50 Ohm
INSULATION RESISTANCE:	5000 MOhm
WORKING VOLTAGE:	500 Volts RMS at Sea Level
DIELECTRIC WITHSTAND VOLTAGE:	1000 Volts RMS Max
CONTACT RESISTANCE:	
CENTRE CONTACT:	10.00 mOhm Max
OUTER CONTACT:	5.00 mOhm Max
VSWR @ 1.8GHz:	1.30:1 Max
INSERTION LOSS dB @ x 1.8 GHz:	0.50 Max

8 MECHANICAL CHARACTERISTICS

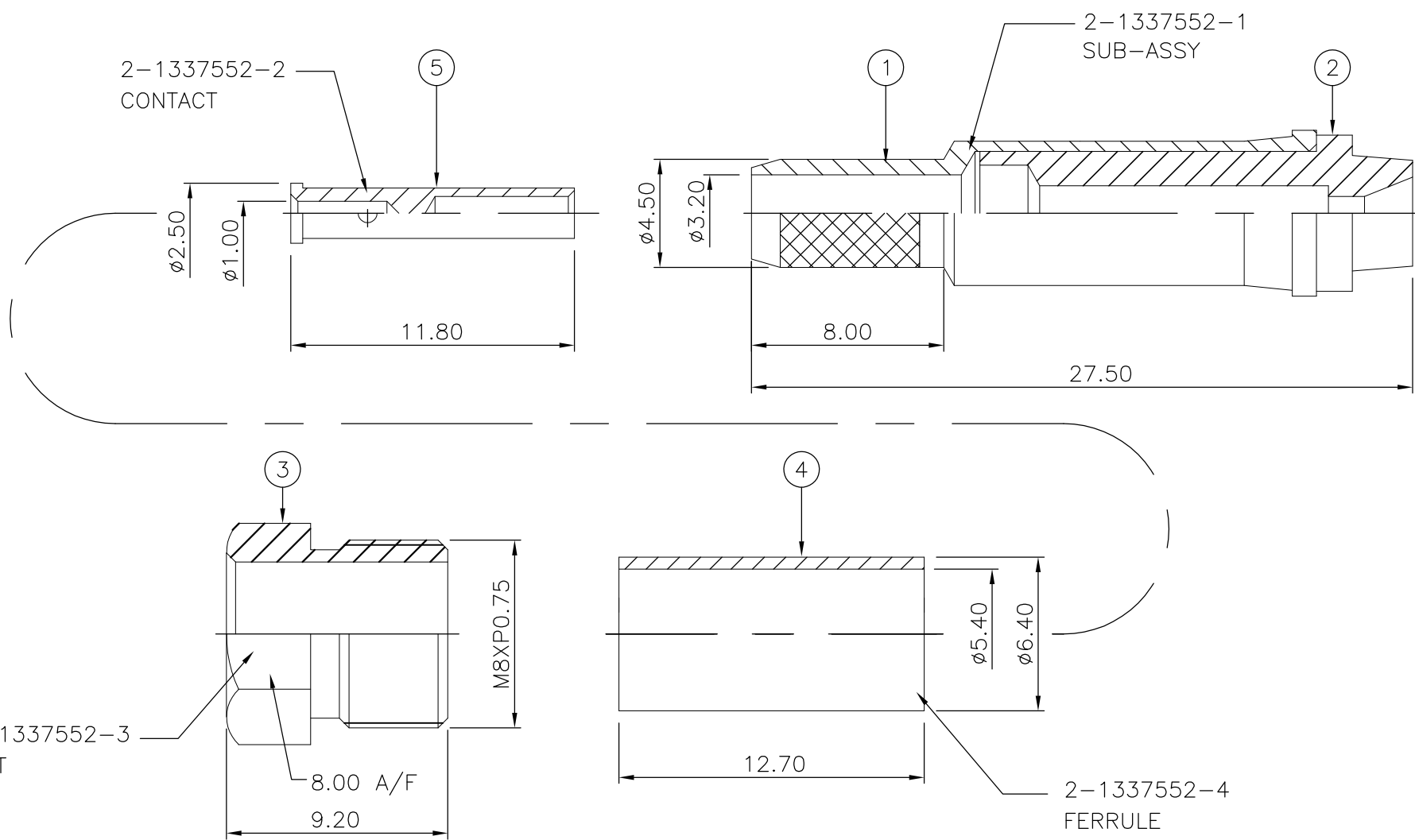
CABLE RETENTION FORCE:	
RG58C/U, 141A/U, URM43, 76:	170N Min
RG174A/U, 188A/U, 316/U, URM95:	85N Min
DURABILITY:	500 Cycles Min
CLAMP NUT TORQUE SETTING:	0.9Nm

9 ENVIRONMENTAL CHARACTERISTICS

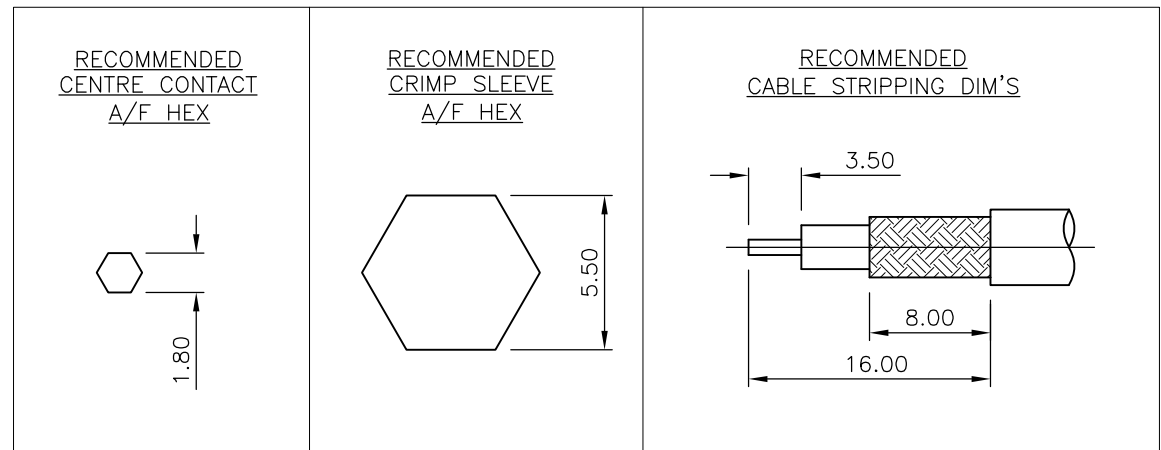
OPERATING TEMPERATURE: -55 to +85 DegC

10 FOR TECHNICAL DATA REFER TO YOUR LOCAL TE CONNECTIVITY SALES OFFICE

11 ALL DIMENSIONS ARE NOMINAL FOR REFERENCE ONLY UNLESS OTHERWISE STATED



			1	1	BRASS	△	CONTACT	5	
			1	1	BRASS	△	FERRULE	4	
			1	1	BRASS	△	NUT	3	
			1	1	PTFE		INSULATION	2	
			1	1	BRASS	△	BODY	1	
		6--0	1--0		MATERIAL		DESCRIPTION	ITEM	
QUANTITY PER ASSY								PARTS LIST	



THIS DRAWING IS A CONTROLLED DOCUMENT.

DIMENSIONS:	TOLERANCES UNLESS OTHERWISE SPECIFIED:	DWN	J.SANDWELL	25AUG06	 TE Connectivity	
mm		CHK	S.PARLOW	25AUG06		
		APVD	F.WHEELER-KING	25AUG06		
		PRODUCT SPEC				
MATERIAL	FINISH	APPLICATION SPEC	NAME			
SEE TABLE	SEE TABLE		FME STRAIGHT JACK CRIMP 50 OHM			
		WEIGHT	RG58C/U, 141A/U, URM43, 76, Belden 9907, KX15			
			SIZE	CAGE CODE	DRAWING NO	RESTRICTED TO
			A3	00779	C-1337552	
CUSTOMER DRAWING			SCALE	SHEET	REV	
			NTS	1 OF 1	D2	

单击下面可查看定价，库存，交付和生命周期等信息

[>>TE Connectivity\(泰科\)](#)