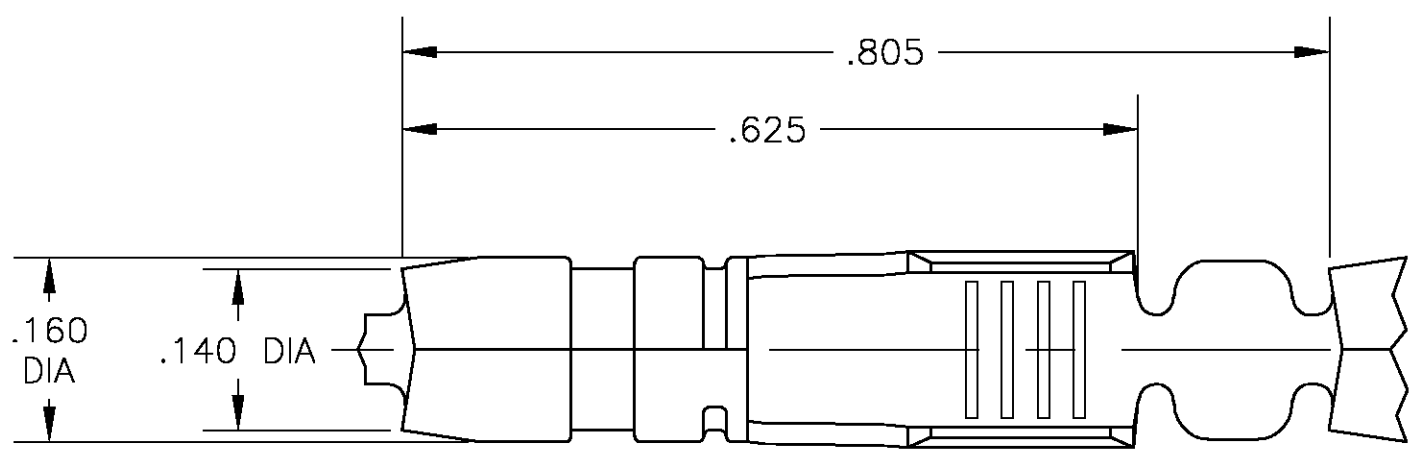
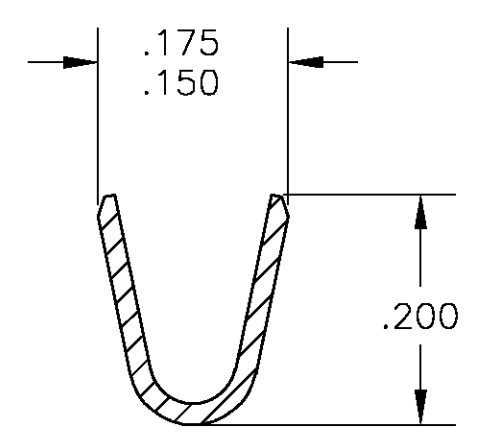
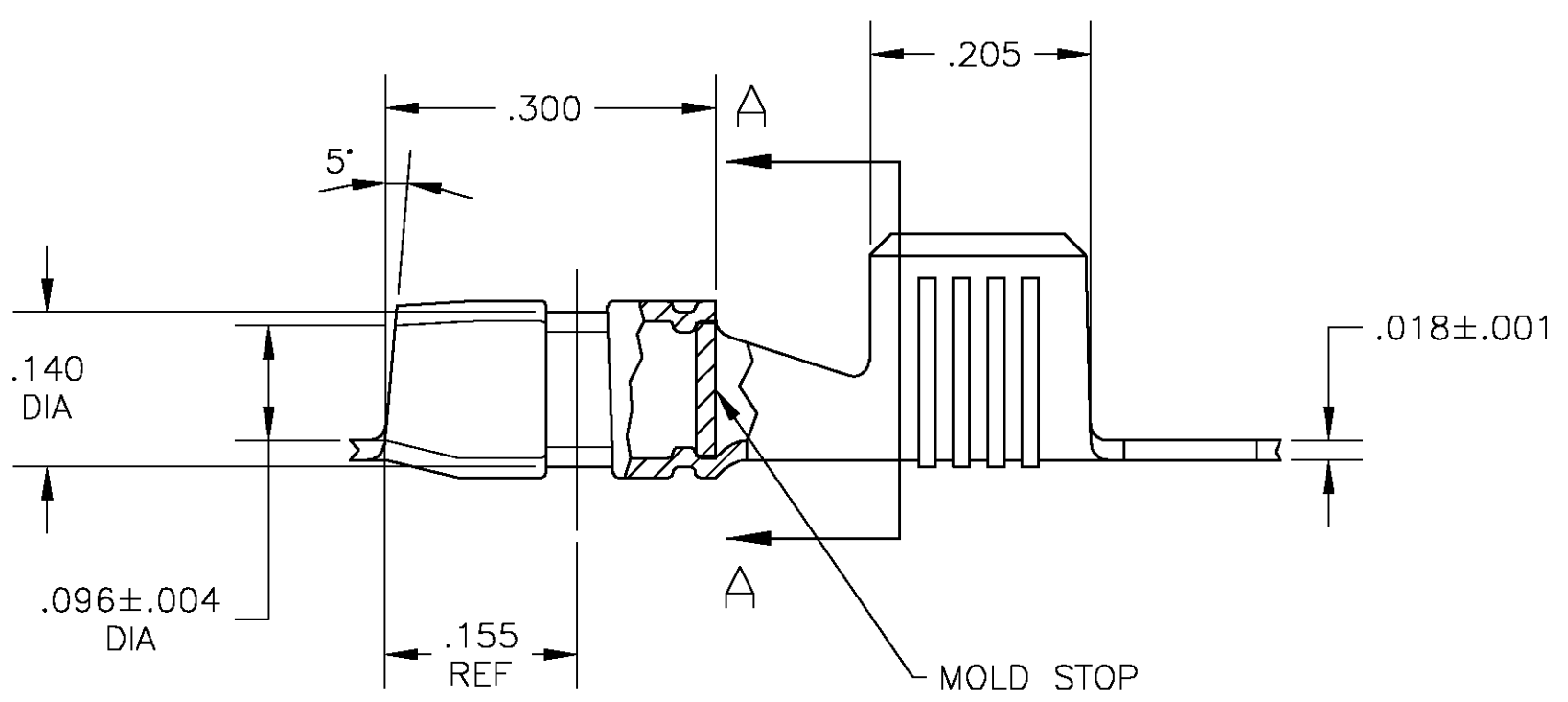


THIS DRAWING IS UNPUBLISHED. RELEASED FOR PUBLICATION
 © COPYRIGHT BY TYCO ELECTRONICS CORPORATION. ALL RIGHTS RESERVED.

LOC	DIST	REVISIONS			
P	LTR	DESCRIPTION	DATE	DWN	APVD
AF	50	C	REL PER 0G3A-0098-05	09MAR05	JR DD



- 1 CONTINUOUS STRIP ON REELS
- 2 WIRE SIZE IS #10-#14 (9600 CMA MAX)
OR TWO #14'S
- 3 .000130 MAX PRE-TIN



1742039-1
PART NO

THIS DRAWING IS A CONTROLLED DOCUMENT.		DWN JR RUTH 19DEC2003	Tyco Electronics Corporation Harrisburg, Pa 17105-3608	
DIMENSIONS: INCHES		CHK D DECKER 19DEC03		
		APVD D DECKER 19DEC03	NAME SHUR PLUG, .156 DIA	
TOLERANCES UNLESS OTHERWISE SPECIFIED:		PRODUCT SPEC	SIZE A3	
0 PLC ± -		APPLICATION SPEC	CAGE CODE 00779	DRAWING NO C-1742039
1 PLC ± -		WEIGHT	RESTRICTED TO	
2 PLC ± -		CUSTOMER DRAWING	SCALE 1:1	SHEET 1 OF 1
3 PLC ± .010			REV C	
4 PLC ± -				
ANGLES ± 1'				
FINISH				
MATERIAL 081 BRASS				

单击下面可查看定价，库存，交付和生命周期等信息

[>>TE Connectivity\(泰科\)](#)