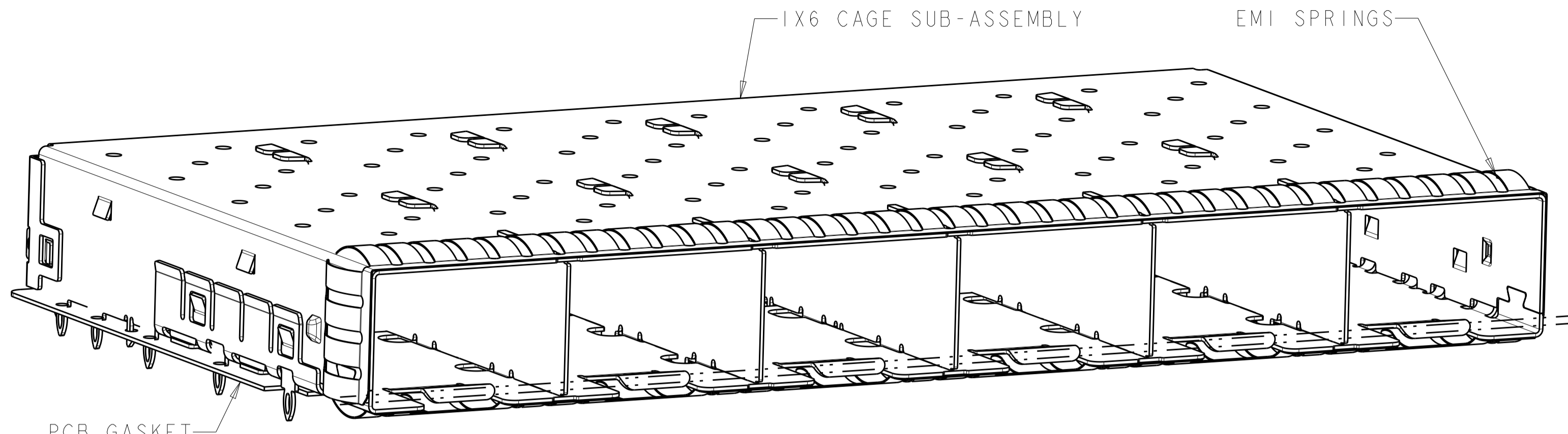
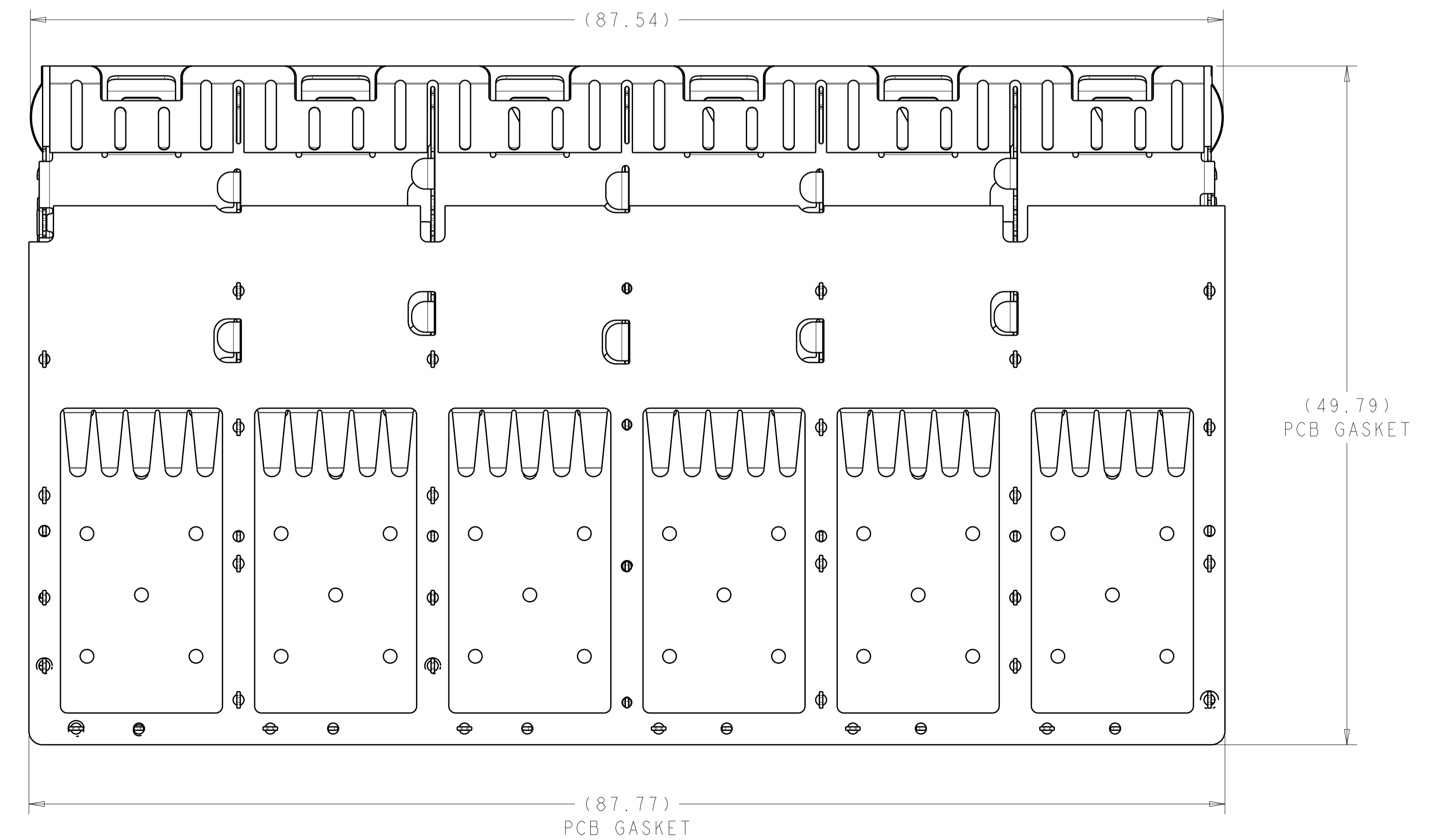
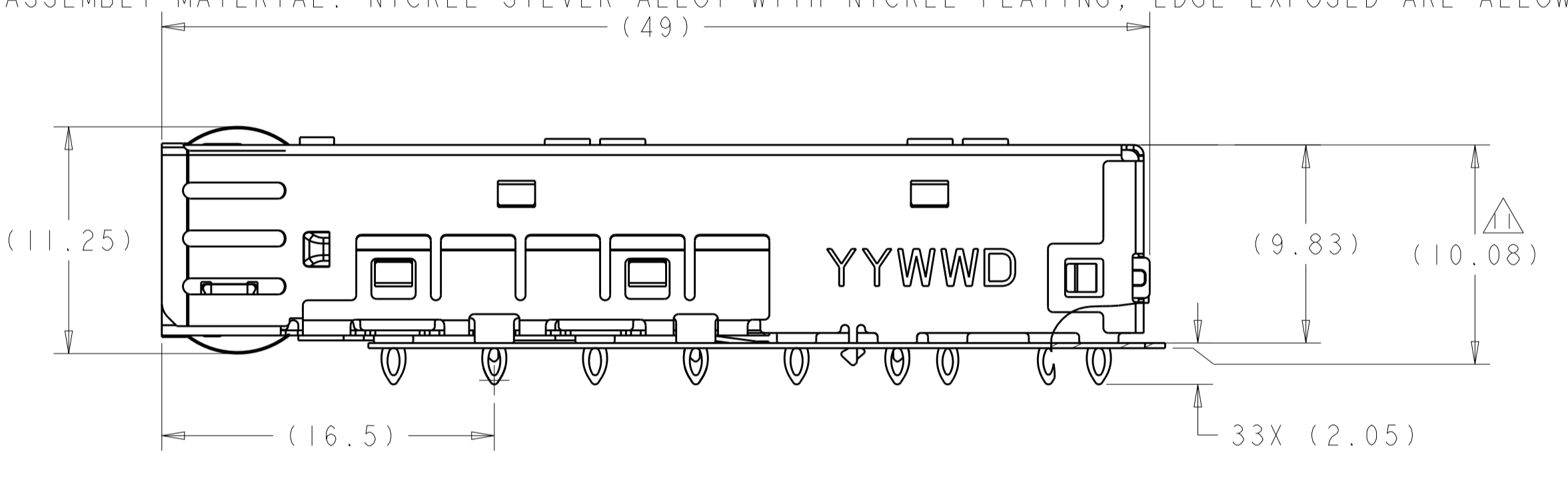
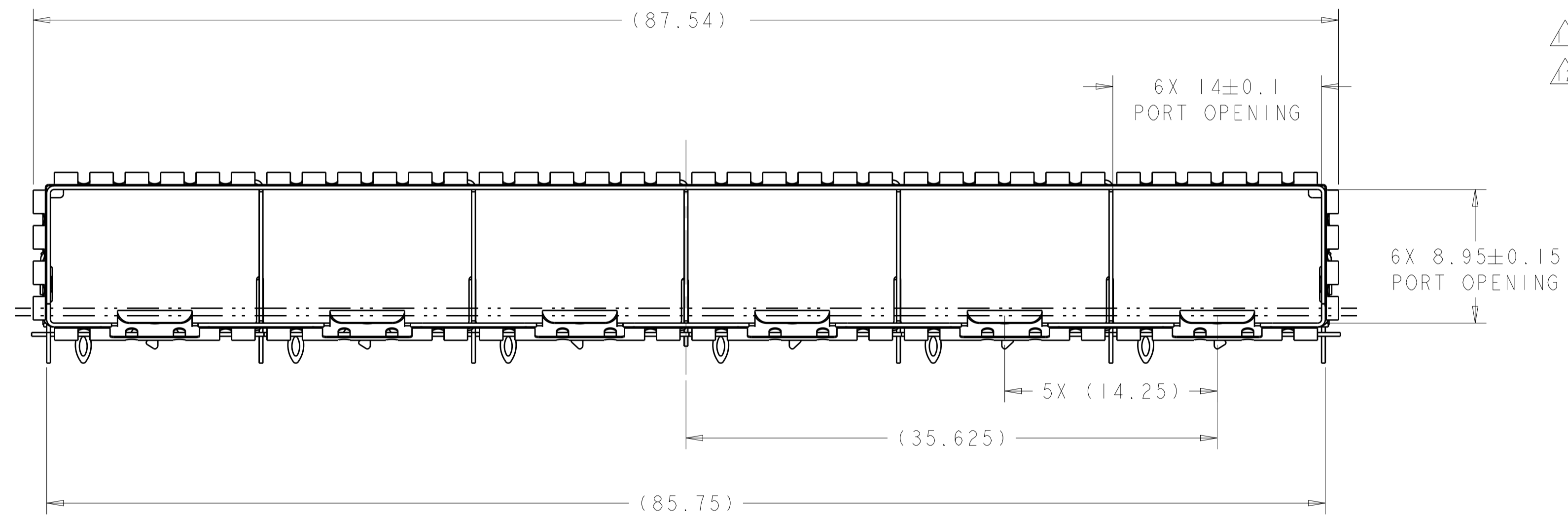


| LOC | DIST | REVISIONS |     |                           |           |     |      |
|-----|------|-----------|-----|---------------------------|-----------|-----|------|
| GP  | 00   | P         | LTN | DESCRIPTION               | DATE      | DWN | APVD |
|     |      | A         |     | REVISED PER ECO-15-002647 | 05MAR2015 | AP  | MS   |
|     |      | B         |     | REVISED PER ECO-15-007912 | 29MAY2015 | PP  | SH   |
|     |      | B1        |     | REVISED PER ECO-16-014593 | 13FEB2017 | JW  | SH   |
|     |      | B2        |     | REVISED PER ECO-18-018494 | 26NOV2018 | JW  | SH   |



2227732-1/1-2227732-1  
SCALE 4:1

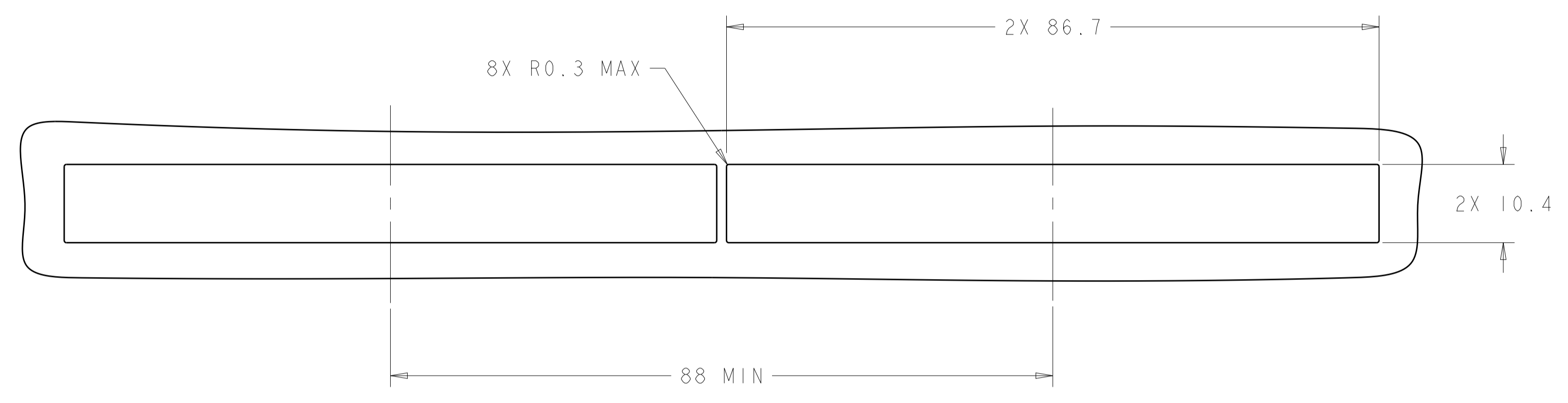
- 1 MATERIAL:  
CAGE ASSEMBLY: NICKEL SILVER ALLOY  
EMI SPRINGS: COPPER ALLOY WITH NICKEL PLATING  
PCB GASKET: RF ABSORBER
  - 2 MINIMUM PC BOARD THICKNESS:  
SINGLE SIDED = 1.45mm  
BELLY TO BELLY = 2.25mm
  - 3 PADS AND VIAS CHASSIS GROUND
  - 4 DATUM AND BASIC DIMENSION ESTABLISHED BY CUSTOMER
  - 5 MATES WITH SFP MSA COMPLIANT TRANSCEIVERS
  - 6 INTERPRETATION OF DATUM REFERENCE FRAME IN ACCORDANCE WITH SECT 4.4.1.1 OF ASME Y14.5M-1994
  - 7 REFERENCE APPLICATION SPEC. 114-13120, HOLE A, FOR RECOMMENDED DRILL HOLE DIAMETER AND PLATING THICKNESS
  - 8 REFERENCE APPLICATION SPEC. 114-13120, HOLE B, FOR RECOMMENDED DRILL HOLE DIAMETER AND PLATING THICKNESS
  - 9 HOLE PATTERN REPEATS FOR EACH PORT, SPACING BETWEEN PORTS IS 14.25mm
  10. PRODUCT COMPLIES WITH SPECIFICATION SFF-8433, IMPROVED PLUGGABLE FORM FACTOR FOR SFP+ GANGED CAGES
- CONTACT STANDOFF WILL PIERCE GASKET WHEN PROPERLY PRESSED INTO PCB.  
CAGE ASSEMBLY MATERIAL: NICKEL SILVER ALLOY WITH NICKEL PLATING, EDGE EXPOSED ARE ALLOWED



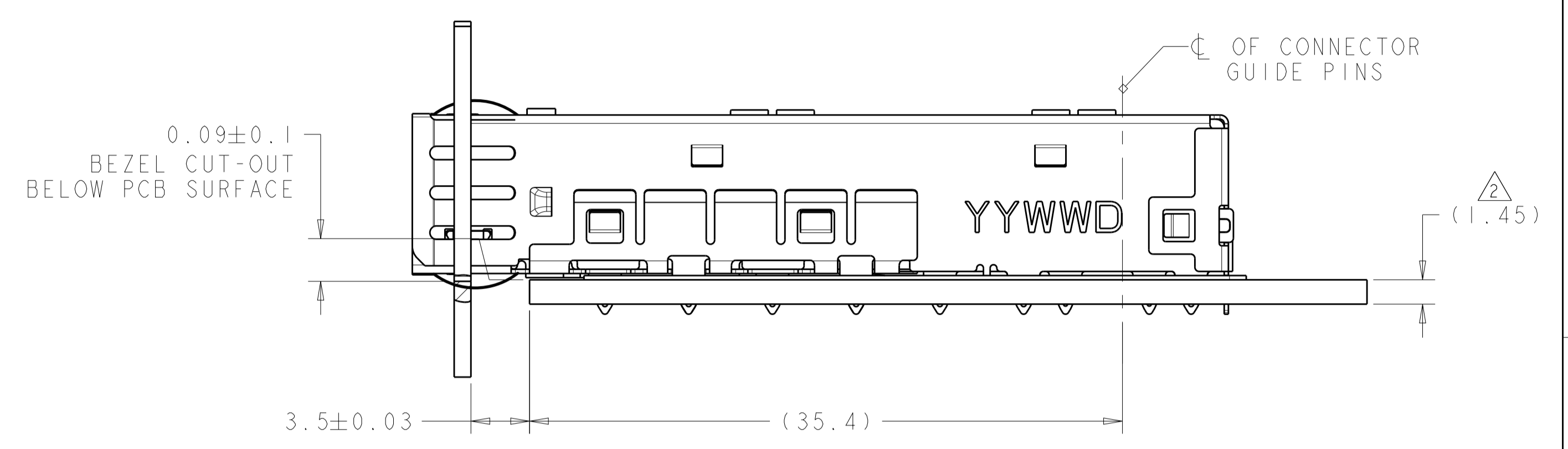
1-2227732-1  
2227732-1  
PART NUMBER

|   |  |  |  |                  |                  |                     |                  |
|---|--|--|--|------------------|------------------|---------------------|------------------|
| THIS DRAWING IS A CONTROLLED DOCUMENT. DIMENSIONING AND TOLERANCING PER ASME Y14.5M-2009. |  | DWN: C. VALENTINE 08MAR2013<br>CHK: M. PHILLIPS 08MAR2013<br>APVD: M. PHILLIPS 08MAR2013 | TE Connectivity<br>NAME: CAGE ASSEMBLY, ENHANCED, PRESS-FIT, 1X6, zSFP+<br>PRODUCT SPEC: 108-2364<br>APPLICATION SPEC: 114-13120 | SIZE: A1         | CAGE CODE: 00779 | DRAWING NO: 2227732 | RESTRICTED TO: - |
| DIMENSIONS: mm  | TOLERANCES UNLESS OTHERWISE SPECIFIED:<br>0 PLC ±0.25<br>1 PLC ±0.25<br>2 PLC ±0.25<br>3 PLC ±0.25<br>4 PLC ±0.25<br>ANGLES ±° | WEIGHT: -  |  | Customer Drawing | SCALE: 4:1       | SHEET: 1            | OF: 4            |

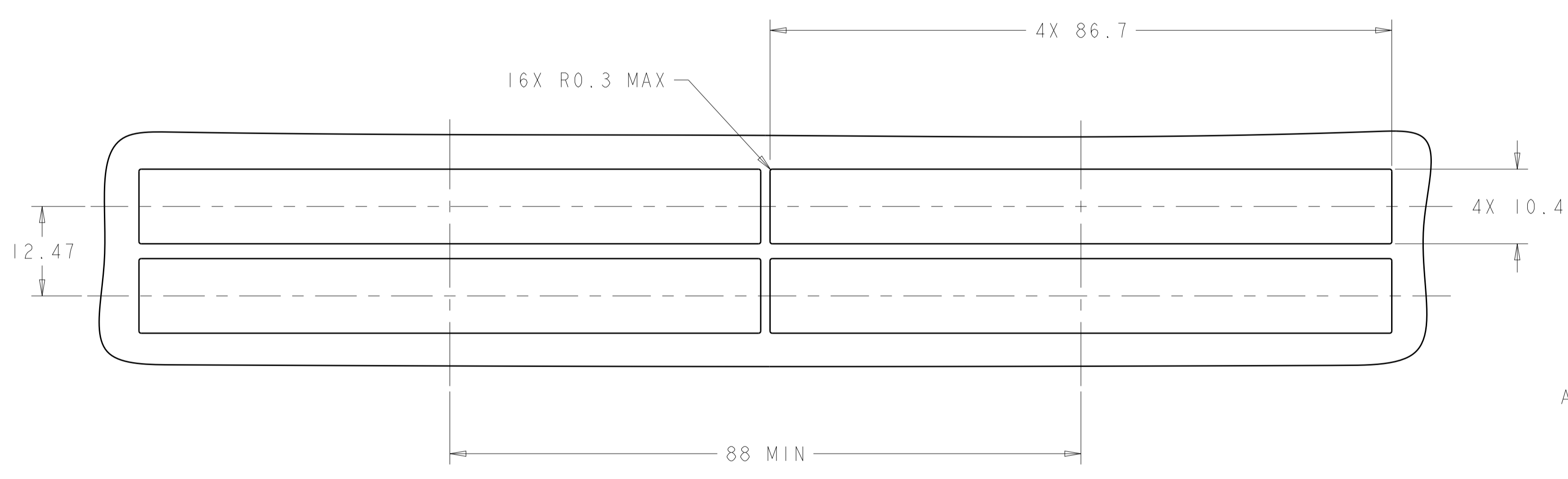
| LOC |    | DIST |     | REVISIONS   |      |     |      |
|-----|----|------|-----|-------------|------|-----|------|
| GP  | 00 | P    | LTN | DESCRIPTION | DATE | DMN | APVD |
| -   | -  | -    | -   | SEE SHEET 1 | -    | -   | -    |



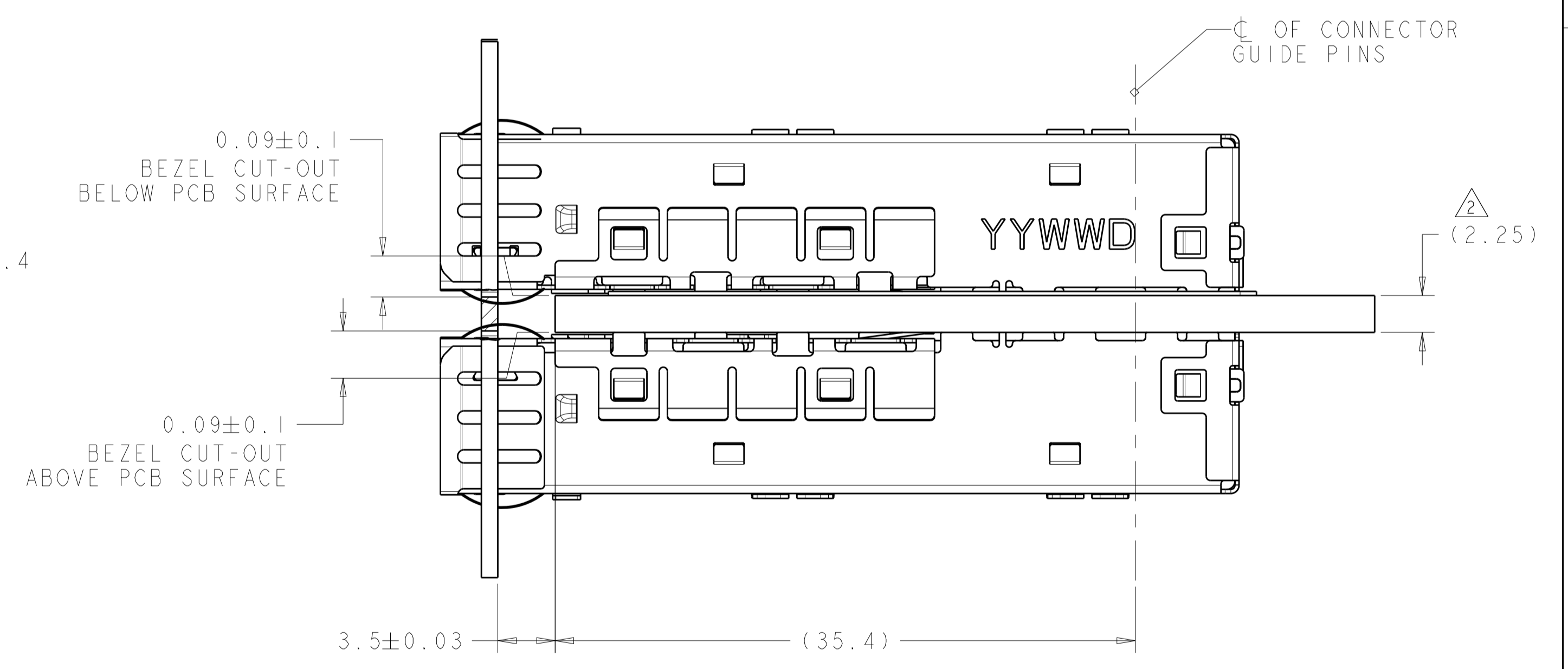
RECOMMENDED BEZEL OPENING  
 SINGLE SIDED APPLICATIONS  
 SCALE 2:1



MOUNTED ON PC BOARD  
 SHOWN THRU RECOMMENDED BEZEL  
 SCALE 4:1



RECOMMENDED BEZEL OPENING  
 BELLY TO BELLY APPLICATIONS  
 SCALE 2:1



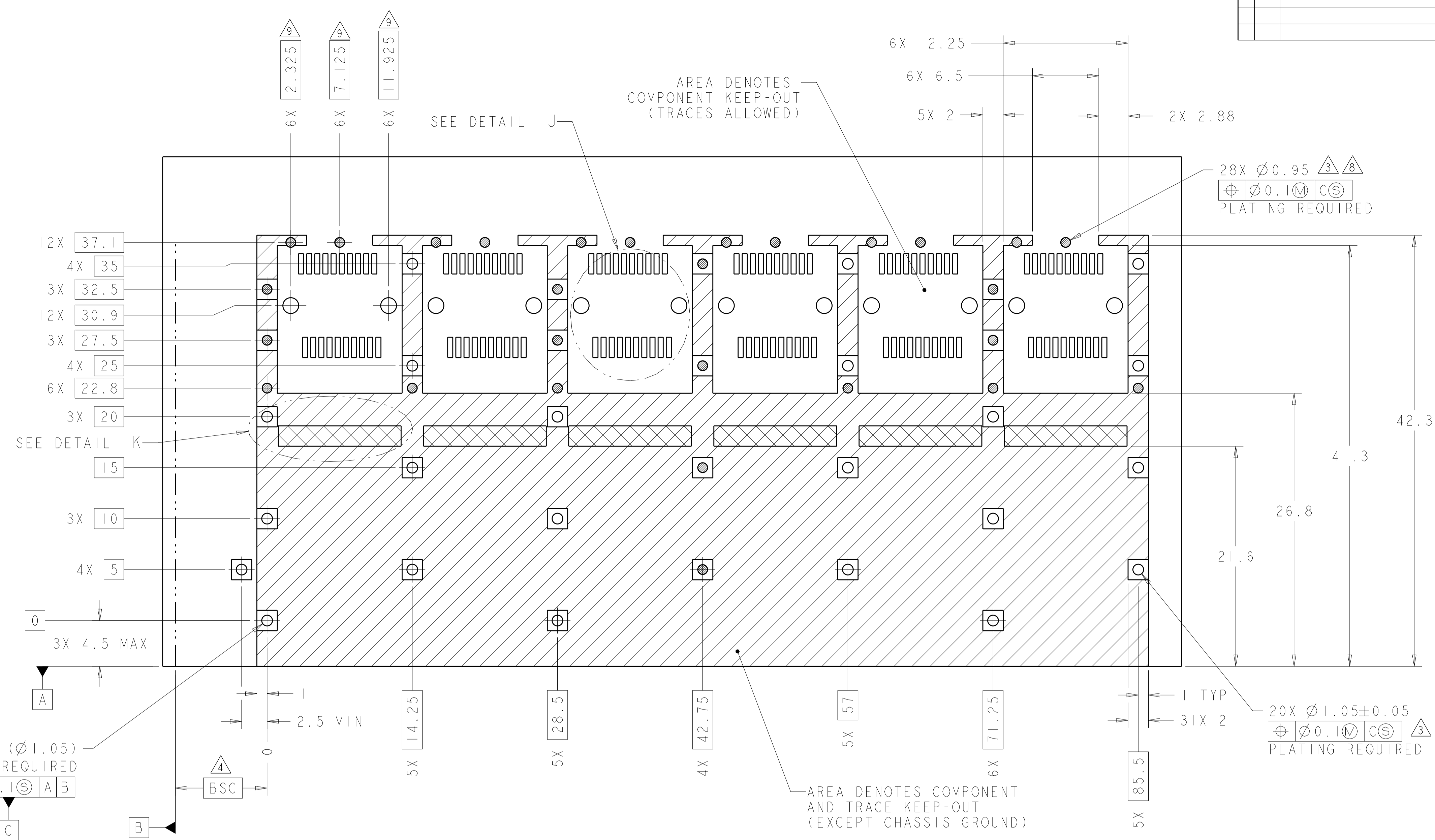
MOUNTED BELLY TO BELLY ON PC BOARD  
 SHOWN THRU RECOMMENDED BEZEL  
 SCALE 4:1

|  |        |                            |                               |
|--|--------|----------------------------|-------------------------------|
| THIS DRAWING IS A CONTROLLED DOCUMENT. DIMENSIONING AND TOLERANCING PER ASME Y14.5M-2009 |        | DMN C. VALENTINE 08MAR2013 | TE Connectivity               |
| TOLERANCES UNLESS OTHERWISE SPECIFIED:   |        | CHK M. PHILLIPS 08MAR2013  |                               |
| DIMENSIONS:  | mm     | APVD M. PHILLIPS 08MAR2013 | NAME                          |
| 0 PLC  | ±0.1   | PRODUCT SPEC               | CAGE ASSEMBLY, ENHANCED,      |
| 1 PLC  | ±0.1   | 108-2364                   | PRESS-FIT, 1X6, zSFP+         |
| 2 PLC  | ±0.08  | APPLICATION SPEC           |                               |
| 3 PLC  | ±0.05  | 114-13120                  | SIZE CAGE CODE DRAWING NO     |
| 4 PLC  | ±*     | WEIGHT                     | RESTRICTED TO                 |
| ANGLES   | ±*     | A100779C=2227732           |                               |
| MATERIAL   | FINISH | Customer Drawing           | SCALE 4:1 SHEET 2 OF 4 REV B2 |

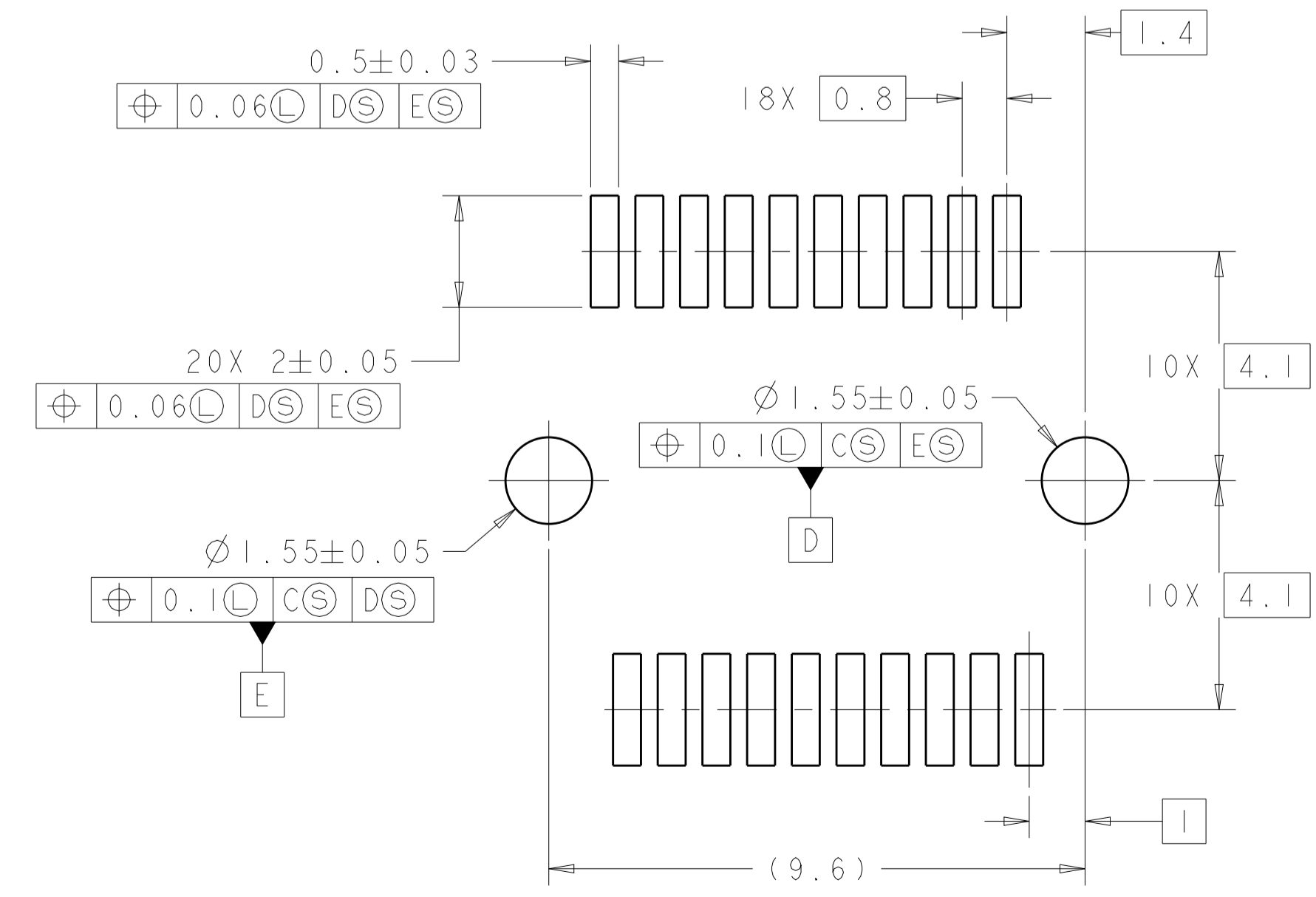
| LOC | DIST | REV | DATE | BY | APPV |
|-----|------|-----|------|----|------|
| GP  | 00   |     |      |    |      |

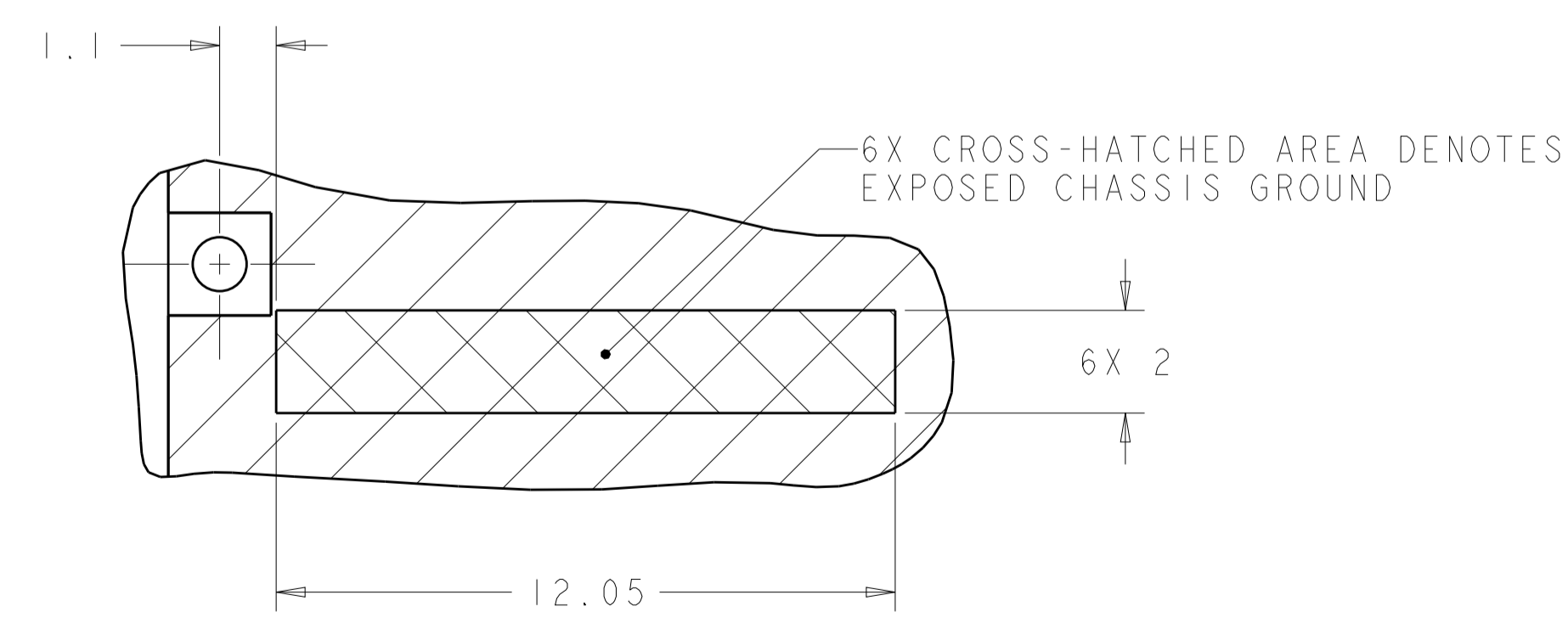
| REVISIONS |             | DATE | BY | APPV |
|-----------|-------------|------|----|------|
| -         | SEE SHEET 1 | -    | -  | -    |



RECOMMENDED PCB CONFIGURATION  
 WITH KEEP-OUT AREAS FOR SINGLE SIDED APPLICATION  
 SCALE 4:1



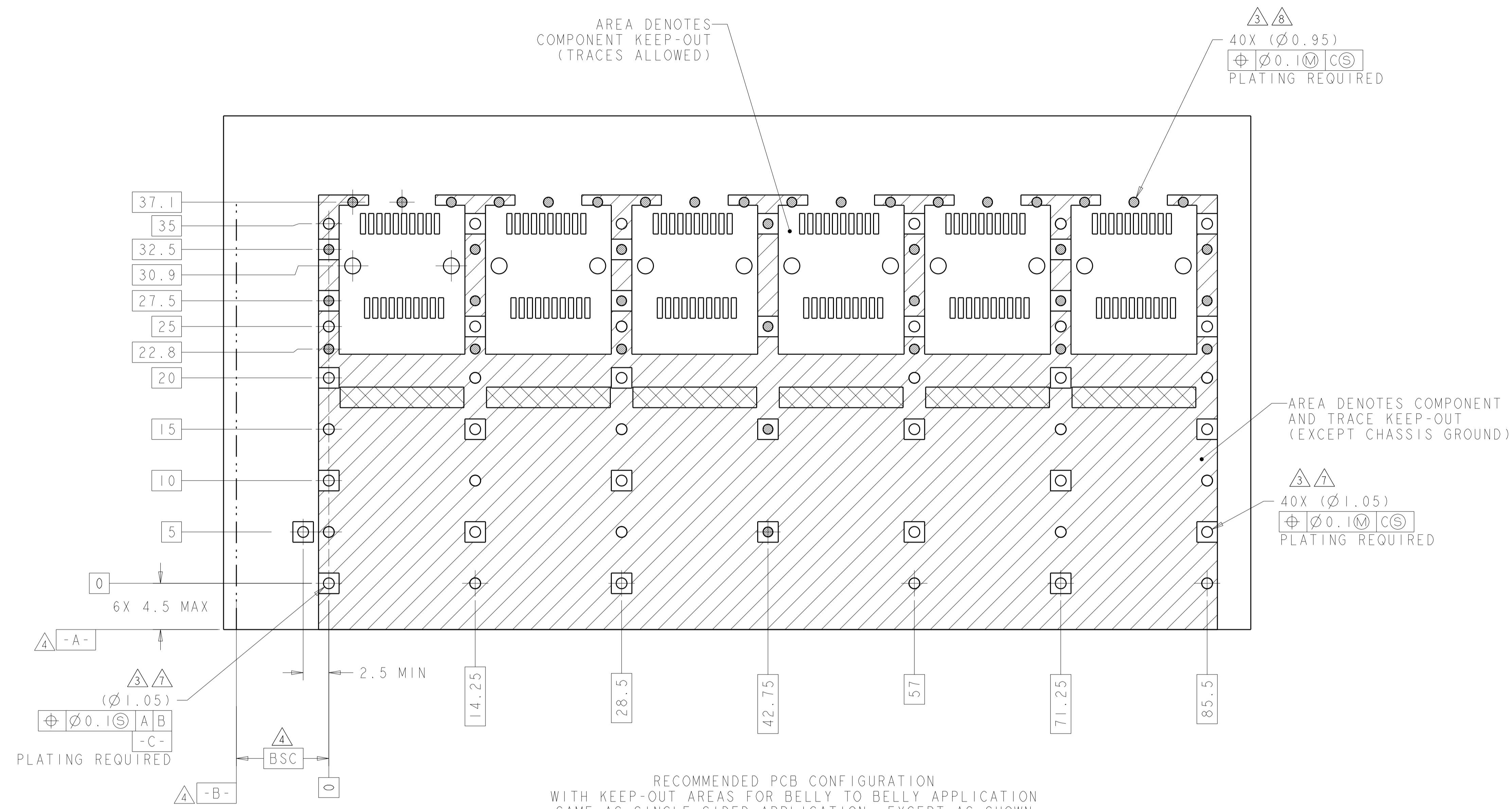
DETAIL J  
 RECOMMENDED PT CONNECTOR LAYOUT  
 SCALE 10:1



DETAIL K  
 SCALE 8:1

|   |   |  |  |
|---|---|--|--|
| THIS DRAWING IS A CONTROLLED DOCUMENT. DIMENSIONING AND TOLERANCING PER ASME Y14.5M-2009. |   | OWN: C. VALENTINE 08MAR2013<br>CHK: M. PHILLIPS 08MAR2013<br>APVD: M. PHILLIPS 08MAR2013 | TE Connectivity<br><b>CAGE ASSEMBLY, ENHANCED, PRESS-FIT, 1X6, zSFP+</b>                         |
| DIMENSIONS: mm  | TOLERANCES UNLESS OTHERWISE SPECIFIED:<br>0 PLC $\pm 0.1$<br>1 PLC $\pm 0.1$<br>2 PLC $\pm 0.08$<br>3 PLC $\pm 0.05$<br>4 PLC $\pm$<br>ANGLES $\pm$<br>FINISH $\pm$ | PRODUCT SPEC: 108-2364<br>APPLICATION SPEC: 114-13120<br>WEIGHT: -                       |  |
| MATERIAL: -   | FINISH: -   | Customer Drawing   | SIZE: A1<br>CAGE CODE: 100779<br>DRAWING NO: C=2227732<br>SCALE: 4:1<br>SHEET: 3 OF 4<br>REV: B2 |

| LOC | DIST | REVISIONS   |      |     |      |
|-----|------|-------------|------|-----|------|
| P   | LTN  | DESCRIPTION | DATE | DWN | APVD |
| -   | -    | SEE SHEET 1 | -    | -   | -    |
|     |      |             |      |     |      |
|     |      |             |      |     |      |



RECOMMENDED PCB CONFIGURATION  
 WITH KEEP-OUT AREAS FOR BELLY TO BELLY APPLICATION  
 SAME AS SINGLE SIDED APPLICATION, EXCEPT AS SHOWN  
 SCALE 4:1

|  |  |                                  |  |
|--|--|----------------------------------|--|
| THIS DRAWING IS A CONTROLLED DOCUMENT. DIMENSIONING AND TOLERANCING PER ASME Y14.5M-2009                                 |  | DWN<br>C. VALENTINE<br>08MAR2013 | TE Connectivity<br>NAME<br>CAGE ASSEMBLY, ENHANCED,<br>PRESS-FIT, 1X6, zSFP+ |
| DIMENSIONS: mm   |  | CHK<br>M. PHILLIPS<br>08MAR2013  |  |
| TOLERANCES UNLESS OTHERWISE SPECIFIED:<br>0 PLC ±0.1<br>1 PLC ±0.1<br>2 PLC ±0.08<br>3 PLC ±0.05<br>4 PLC ±<br>ANGLES ±° |  | APVD<br>M. PHILLIPS<br>08MAR2013 | PRODUCT SPEC<br>108-2364   |
| MATERIAL   |  | FINISH                           | APPLICATION SPEC<br>114-13120  |
| Customer Drawing   |  | WEIGHT                           | RESTRICTED TO  |
| SCALE 4:1  |  | SHEET 4 OF 4                     | REV B2   |

单击下面可查看定价，库存，交付和生命周期等信息

[>>TE Connectivity\(泰科\)](#)