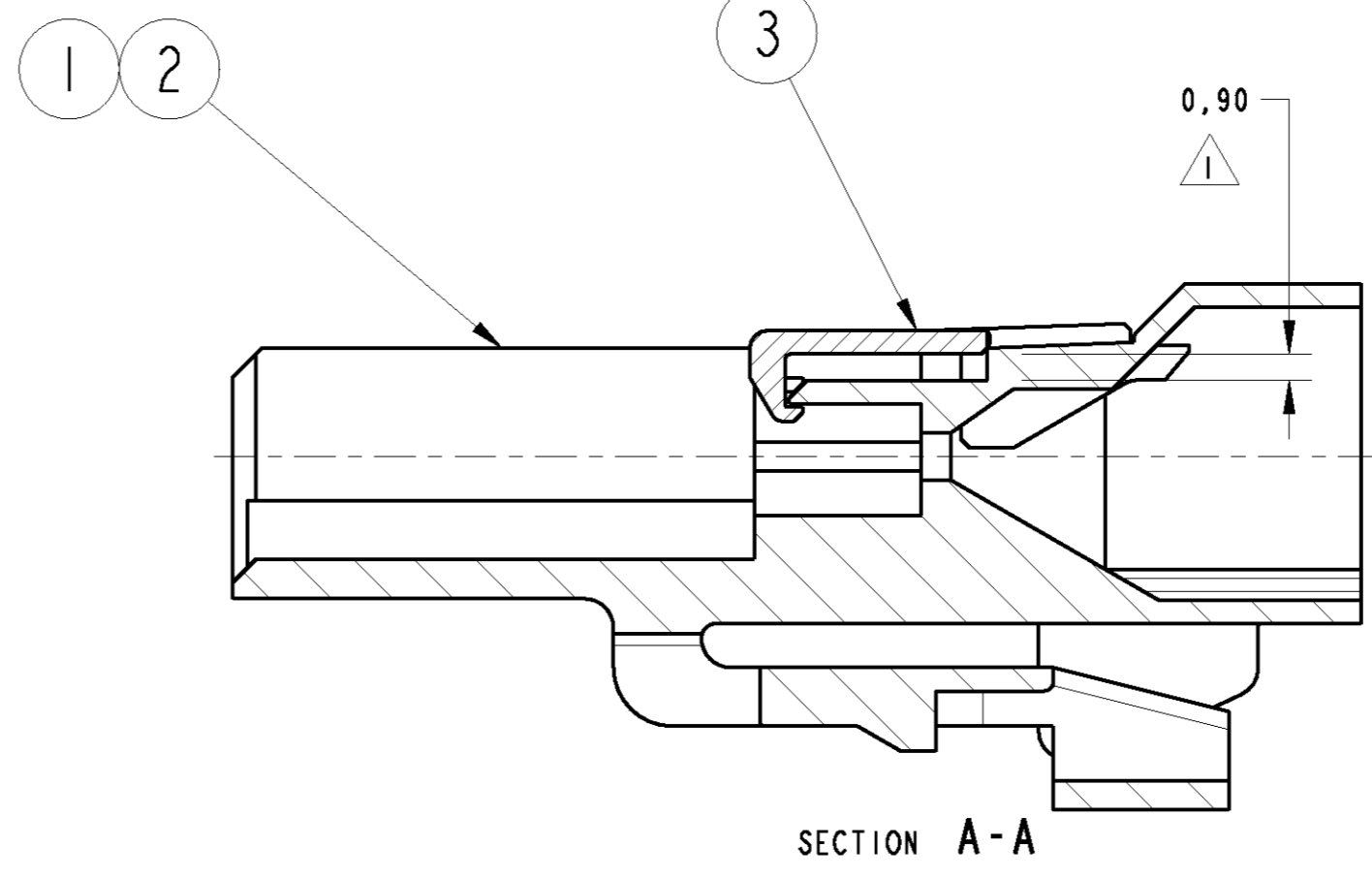
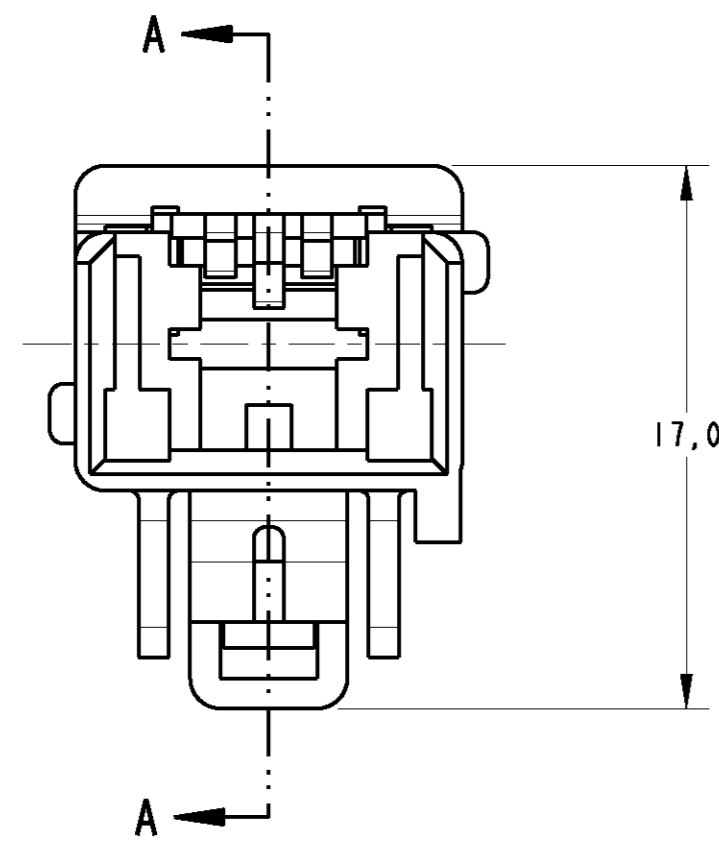
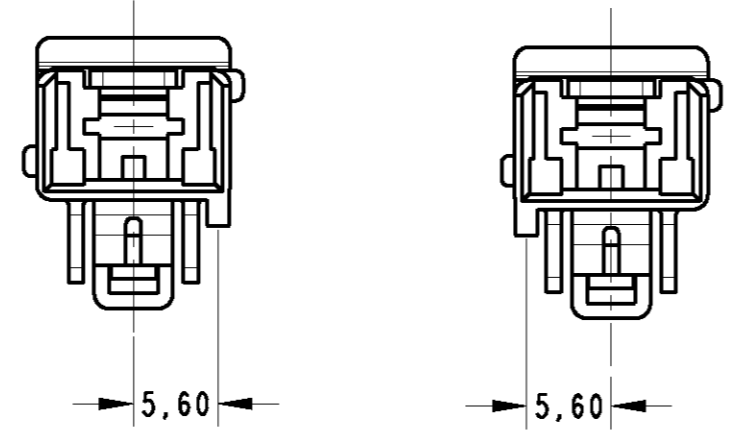
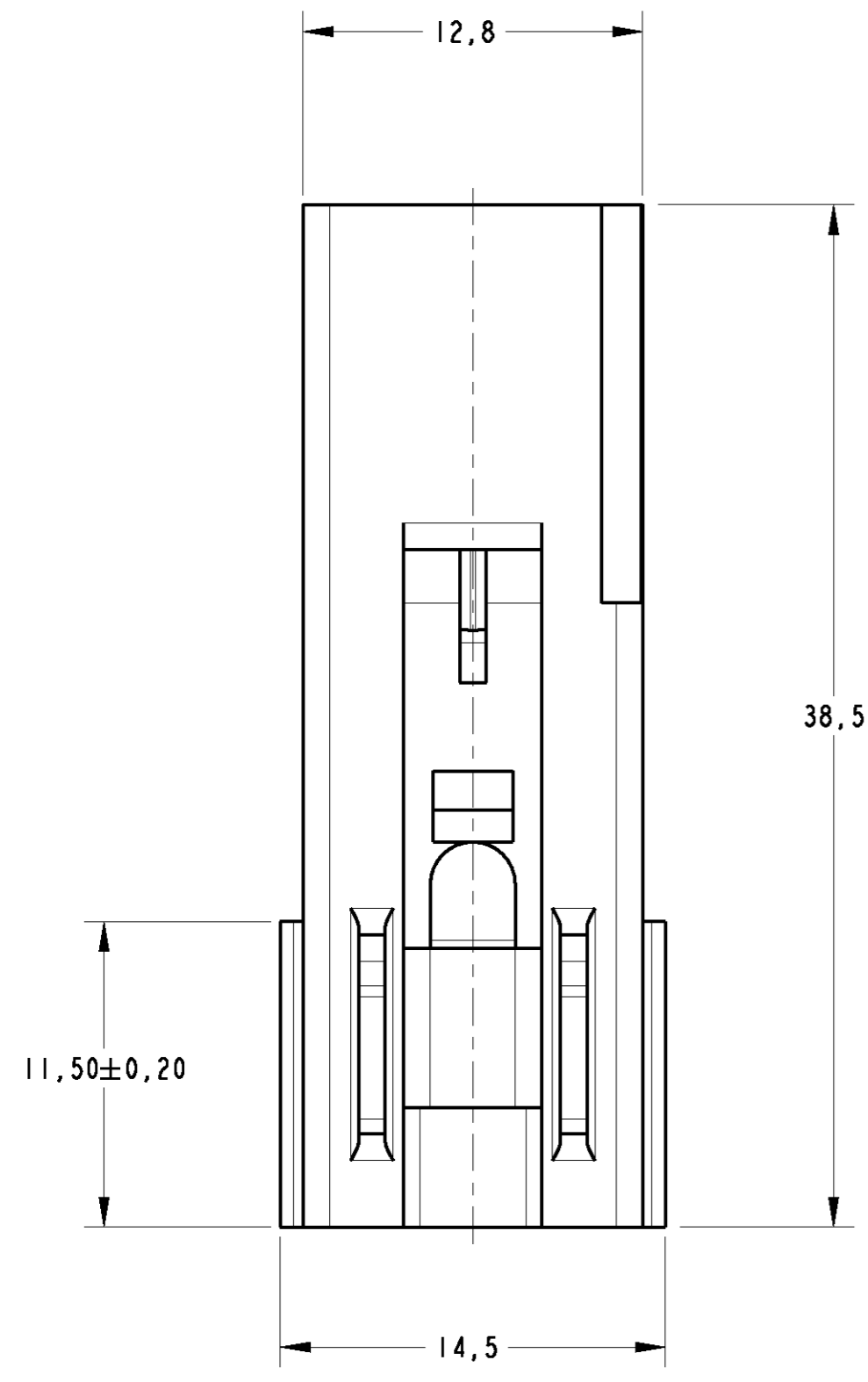


THIS DRAWING IS UNPUBLISHED. RELEASED FOR PUBLICATION
 © COPYRIGHT 20 BY TYCO ELECTRONICS CORPORATION. ALL RIGHTS RESERVED.

LOC		DIST		REVISIONS			
P	LTR	DESCRIPTION	DATE	DWN	APVD		
		C2	REVISED BY ECO-09-003255	10JUN2009	EGS	MBG	



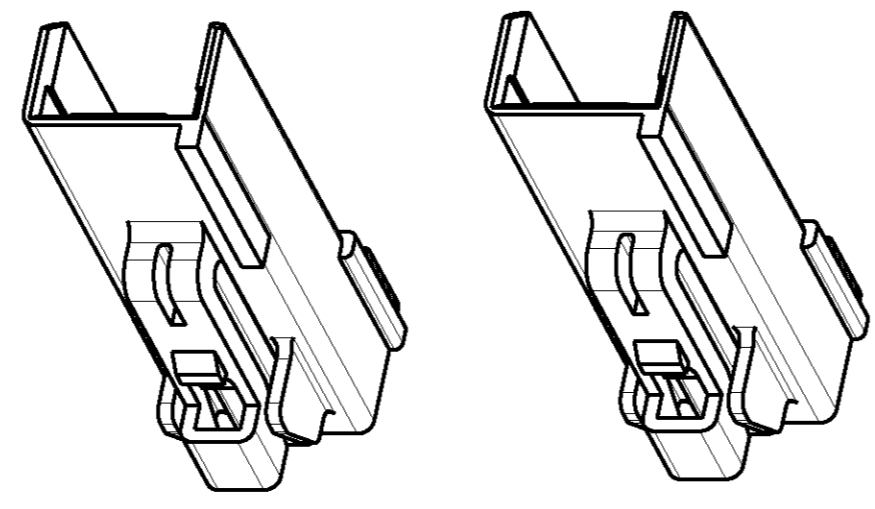
GRAVAÇÃO MARKING
LOGOTIPO TE TE LOGO
CÓDIGO PAÍS PRODUTOR MANUFACTURER COUNTRY CODE
NOMENCLATURA MATERIAL MATERIAL NOMENCLATURE
NÚMERO COMPONENTE TE TE COMPONENT NUMBER
NÚMERO CAVIDADE CAVITY NUMBER
LOGOTIPO CLIENTE CUSTOMER LOGO
REV+ LETRA REV.DA PEÇA REV.+ PART REV.LETTER



TYCO PN 1380085-1
 FORD PN 2S65-14A459-AB
 SCALE 2:1

TYCO PN 1380085-2
 FORD PN 2S65-14A459-BB
 SCALE 2:1

- 1 -OS ITENS DEVERÃO SER FORNECIDOS COMO MOSTRADO. 1 -ITEMS MUST BE SUPPLIED AS SHOWN.
- 2 -DEVE ESTAR CONFORME A ELECTRICAL CONNECTION SYSTEM DESIGN SPECIFICATION (SDS) REV.6 2 -PART MUST CONFORM TO THE ELECTRICAL CONNECTION SYSTEM DESIGN SPECIFICATION (SDS) REV.6
- 3 -DEVE ESTAR CONFORME A USCAR PERFORMANCE STANDARD FOR AUTOMOTIVE ELECTRICAL CONNECTION SYSTEM REV.2 3 -PART MUST CONFORM TO USCAR PERFORMANCE STANDARD FOR AUTOMOTIVE ELECTRICAL CONNECTION SYSTEM REV.2.



PERSPECTIVE VIEW
 SCALE 2:1

CAD
 DO NOT REVISE
 EXCEPT BY CAD

REQ PER ASSY	ITEM	DESCRIPTION	MATERIAL	FINISH
1	3	SPACER IPOSN. .250 FASTIN ON TAB	PBT + 33% FV/GF	VERMELHO/RED
1	2	HOUSING IPOSN. .250 FASTIN ON TAB	PBT + 10% FV/GF	PRETO / BLACK
-	1	HOUSING IPOSN. .250 FASTIN ON TAB	PBT + 10% FV/GF	NATURAL
1380085				

THIS DRAWING IS A CONTROLLED DOCUMENT FOR TYCO ELECTRONICS CORPORATION IT IS SUBJECT TO CHANGE AND THE CONTROLLING ENGINEERING ORGANIZATION SHOULD BE CONTACTED FOR THE LATEST REVISION.		DWN P.L.FARIA 22AUG00 CHK M.L.OGAWA 22AUG00 APVD J.A.MARSON 22AUG00	Tyco Electronics TYCO ELECTRONICS do Brasil LTDA. São Paulo, Brasil
DIMENSIONS: mm		TOLERANCES UNLESS OTHERWISE SPECIFIED: 0 PLC ± 1 PLC ±0.3 2 PLC ± 3 PLC ± 4 PLC ± ANGLES ± FINISH ±1	NAME HOUSING ASSY, IPOSN .250 FASTIN ON TAB SIZE A2 CAGE CODE 00779 DRAWING NO. C-1380085 RESTRICTED TO WEIGHT - APPLICATION SPEC -
MATERIAL SEE TABLE		CUSTOMER DRAWING	
		SCALE 4:1	SHEET 1 OF 1 REV C2

1380085

单击下面可查看定价，库存，交付和生命周期等信息

[>>TE Connectivity\(泰科\)](#)