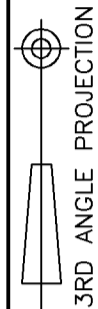


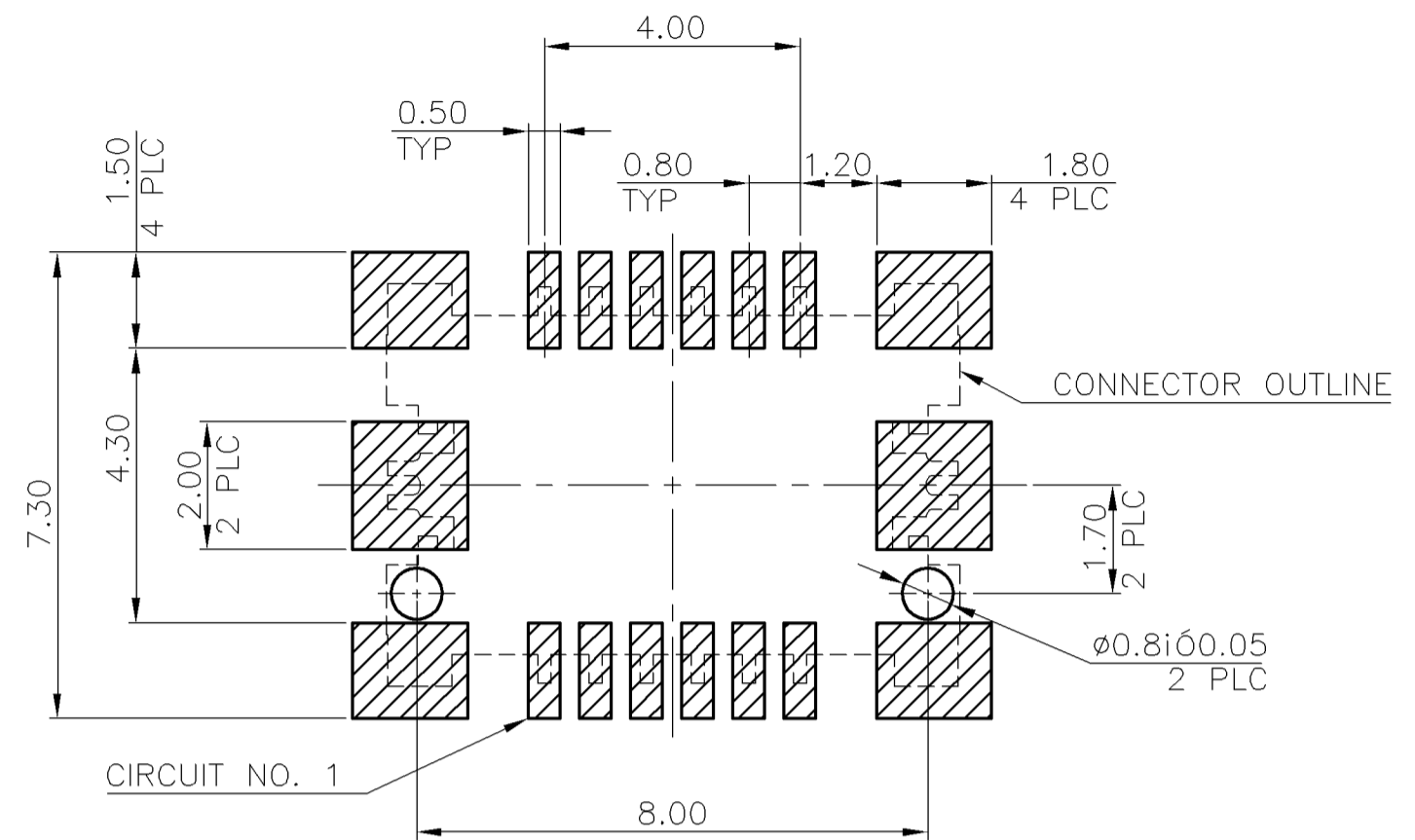
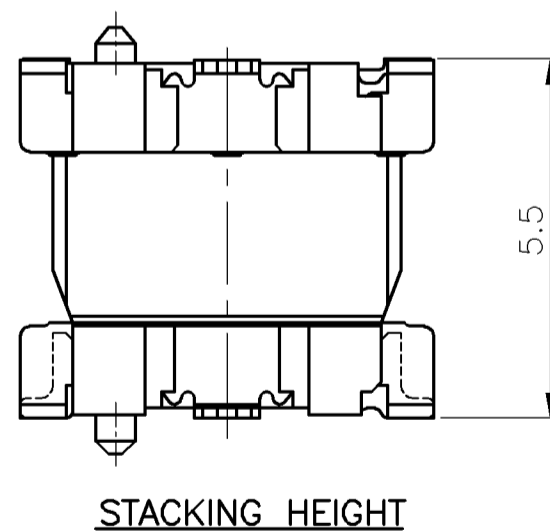
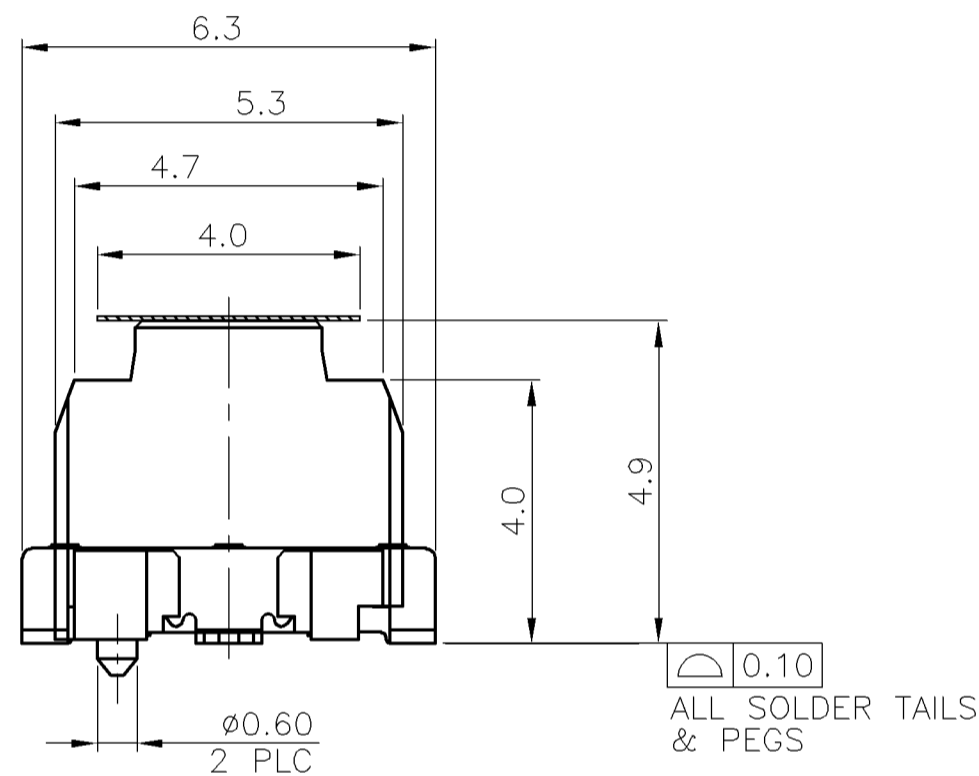
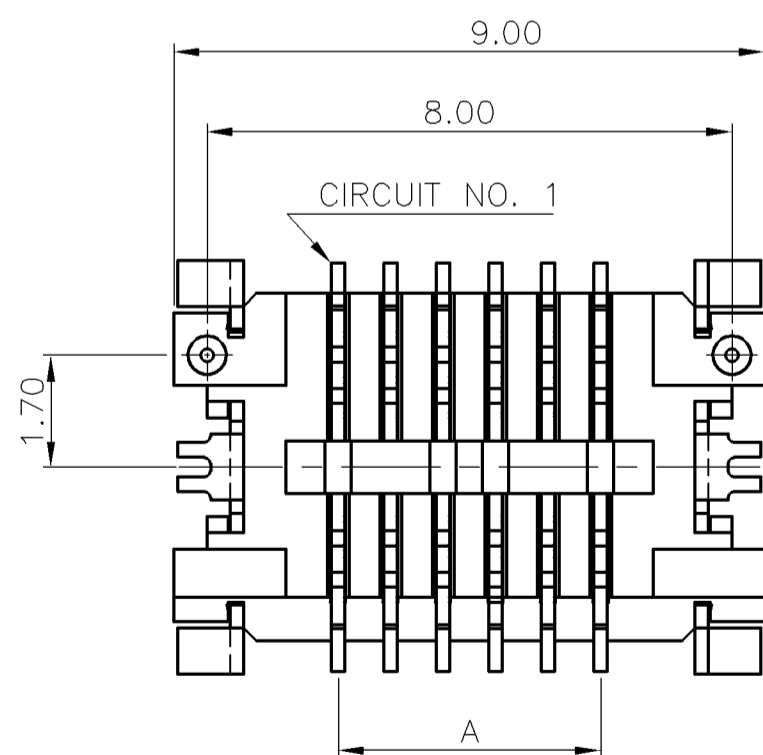
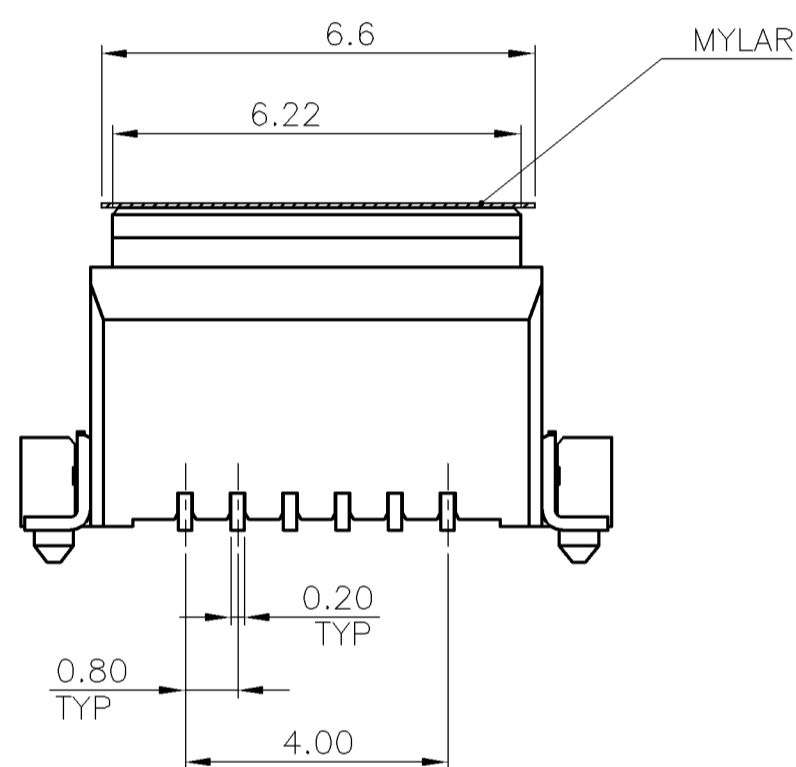
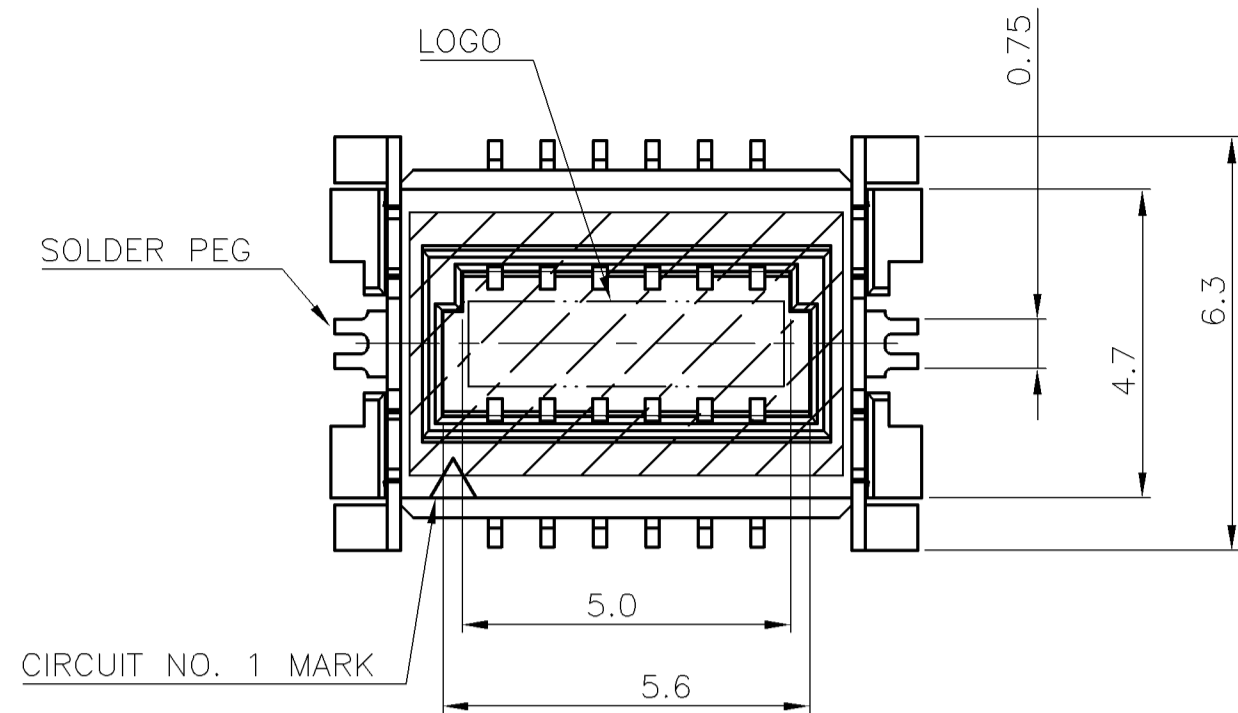
THIS INFORMATION IS CONFIDENTIAL AND IS DISCLOSED TO YOU ON CONDITION THAT NO FURTHER DISCLOSURE IS MADE BY YOU TO OTHER THAN AMP PERSONNEL WITHOUT WRITTEN AUTHORIZATION FROM AMP (TAIWAN) LTD. DIMENSIONS IN MILLIMETERS. DO NOT SCALE PRINT.

PRINT DIST DW

METRIC



NUMBER C-1775149



RECOMMENDED PCB LAYOUT

NOTE:

- MATERIAL:  
HOUSING: LCP UL 94V-0, NATURAL COLOR.  
CONTACTS: PHOSPHOR BRONZE.  
PEGS: PHOSPHOR BRONZE.
- FINISH:  
CONTACTS: 100μ" MIN. MATTE-TIN OVER 50μ" MIN. NICKEL ON ENTIRE CONTACT.  
PEGS: 100μ" MIN. TIN OVER 50μ" MIN. NICKEL PLATED.
- PART NUMBER OF MATING RECEPTACLE: X-1775013-X
- REFLOW SOLDER CAPABLE TO 260°C AS PER TEC-109-201, CONDITION B.

12	1-1775149-2
NO. OF CONTACTS	PART NUMBER

TOLERANCES UNLESS OTHERWISE SPECIFIED: 0 PLC ±- 1 PLC ±0.25 2 PLC ±0.1 3 PLC ±- ANGLES ±3'		DWN A. WU 11-JUN-2007	Tyco Electronics Corporation Taipei, Taiwan	
MATERIAL  SEE NOTE		CHK S. HOU 11-JUN-2007	NAME  BOARD TO BOARD CONNECTOR, 0.8mm PITCH, FINE-STACK, 5.5H, PLUG	
FINISH  SEE NOTE		APVD W.J. KE 11-JUN-2007	LOC DW	REV B
		PRODUCT SPEC 108-57488	SIZE A <sub>3</sub>	DRAWING NO C-1775149
		QUALIFICATION TEST REPORT 501-57566	SCALE --	SHEET 1 OF 2
		WEIGHT 0.0003 g		

B	CHG MTL FOR HSG	ECR-09-011092	AW SH	15MAY 2009
A	REVISE PLATING	ECR-07-010889	AW SH	09MAY 2007
O	FIRST RELEASED	--	AW SH	27SEP 2005
LTR	REVISION RECORD	ECN	DWN CHK	DATE

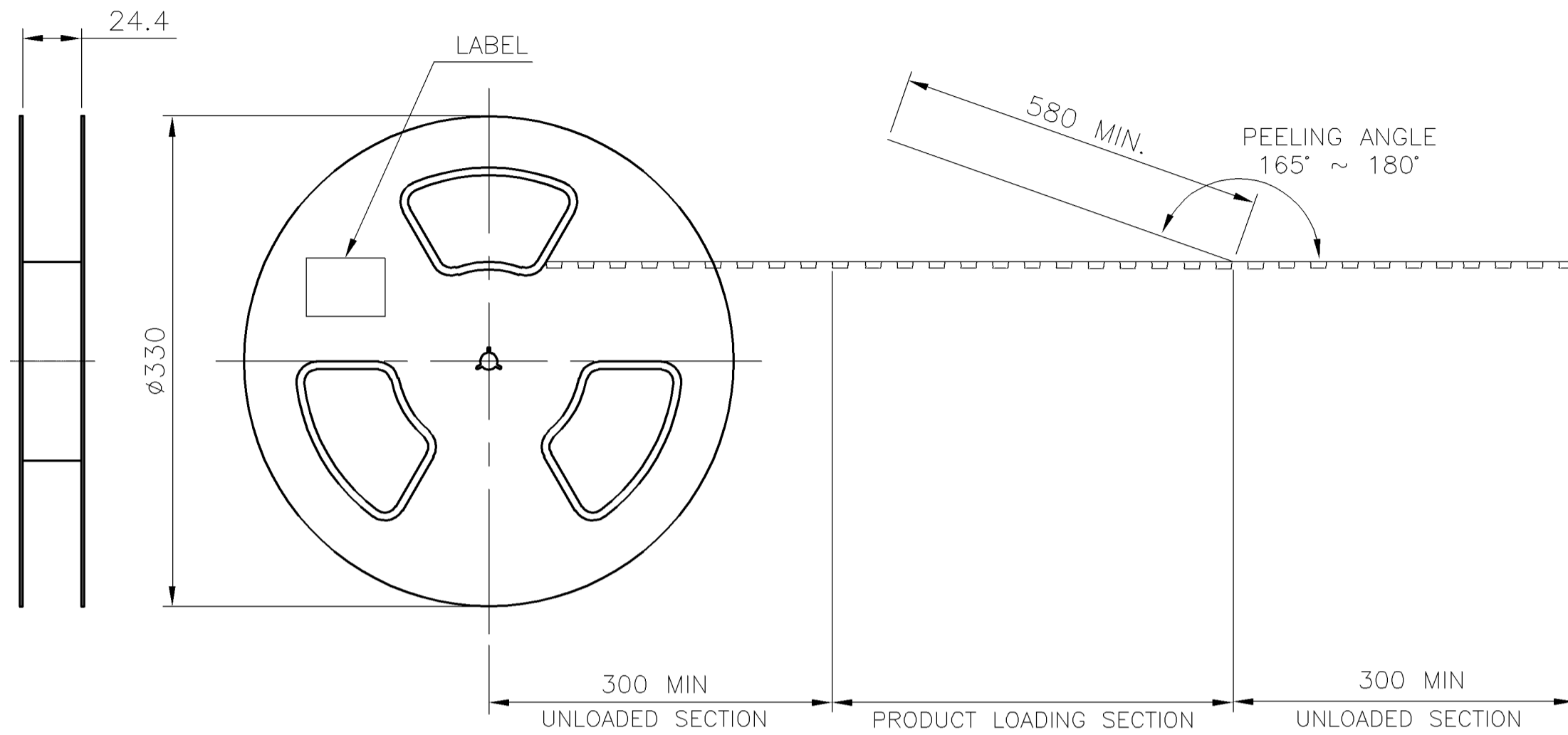
NUMBER  
C-1775149

3RD ANGLE PROJECTION

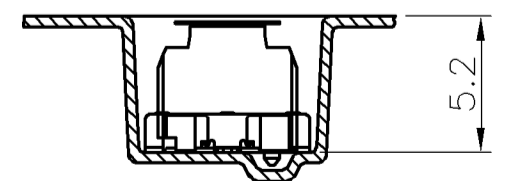
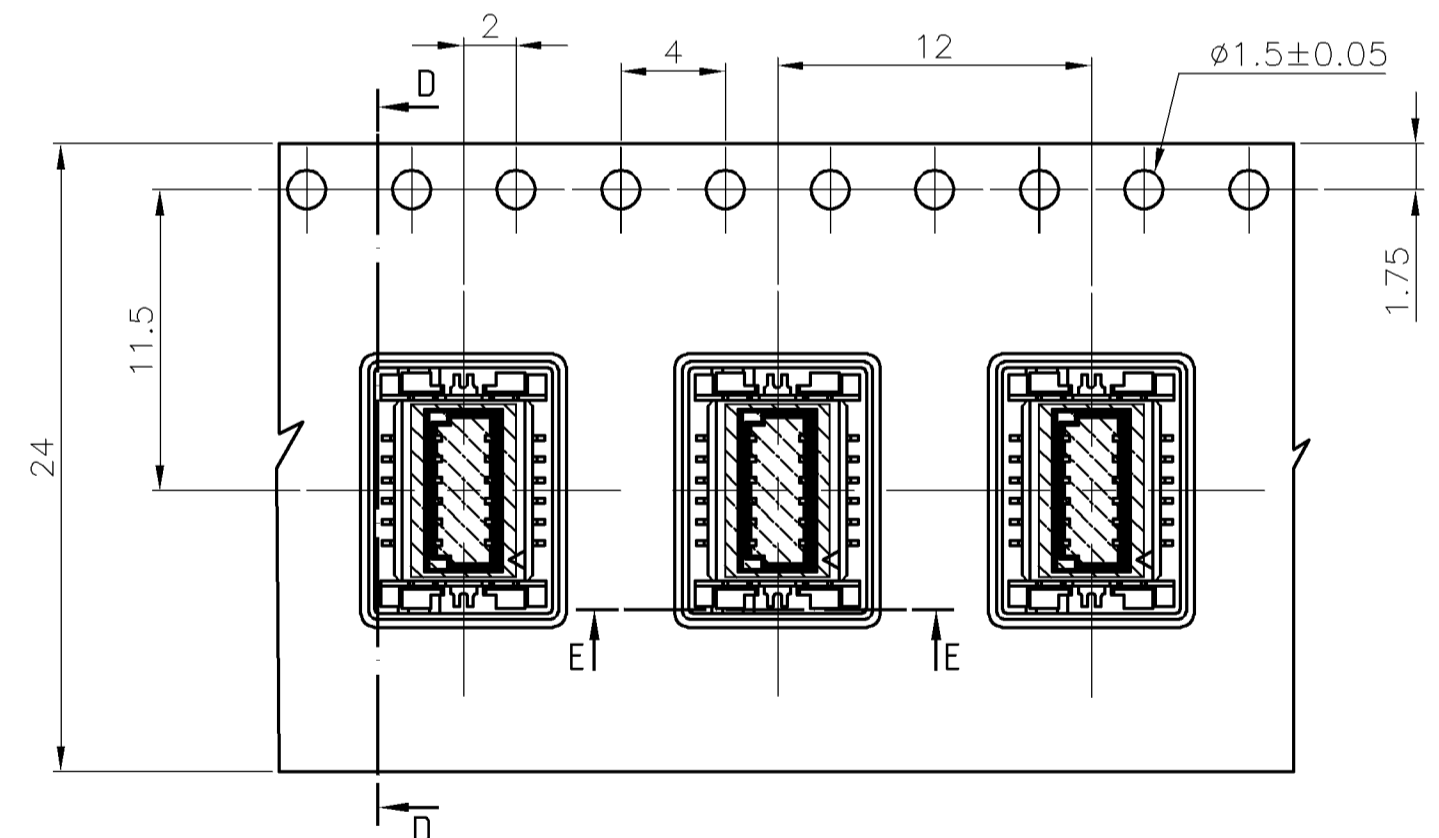
METRIC

THIS INFORMATION IS CONFIDENTIAL AND IS DISCLOSED TO YOU ON CONDITION THAT NO FURTHER DISCLOSURE IS MADE BY YOU TO OTHER THAN AMP PERSONNEL WITHOUT WRITTEN AUTHORIZATION FROM AMP (TAIWAN) LTD. DO NOT SCALE PRINT.

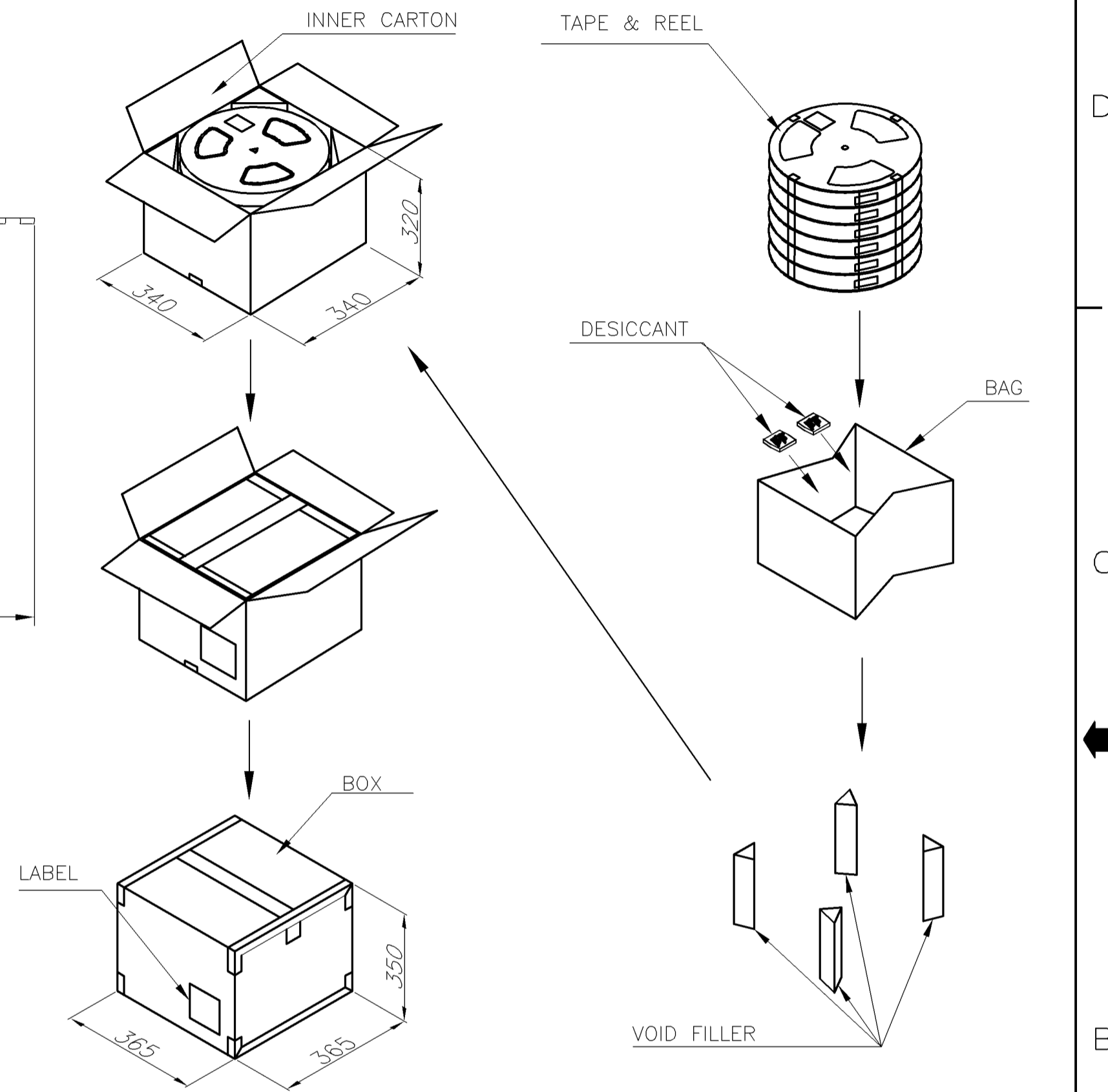
PRINT  
DW



USER DIRECTION OF UNREELING →



SECTION D-D



9.5 Kg	2.56 Kg	800	10	8000 PCS	12
GROSS WEIGHT	NET WEIGHT	PCS/TAPE	REELS /BOX	QUANTITY	NO. OF CONTACTS

TOLERANCES UNLESS OTHERWISE SPECIFIED: 0 PLC ±- 1 PLC ±- 2 PLC ±- 3 PLC ±- ANGLES ±-	DWN A. WU 11-JUN-2007	Tyco Electronics Corporation Taipei, Taiwan NAME
MATERIAL	CHK S. HOU 11-JUN-2007	
FINISH	APVD W.J. KE 11-JUN-2007	<b>BOARD TO BOARD CONNECTOR, 0.8mm PITCH, FINE-STACK, 5.5H, PLUG</b>
	PRODUCT SPEC	LOC DW
	APPLICATION SPEC	SIZE A <sub>3</sub>
	WEIGHT	DRAWING NO C-1775149
		REV B
		SCALE
		SHEET

SEE SHEET 1.	ECN	DWN	CHK	DATE
LTR	REVISION RECORD			

单击下面可查看定价，库存，交付和生命周期等信息

[>>TE Connectivity\(泰科\)](#)