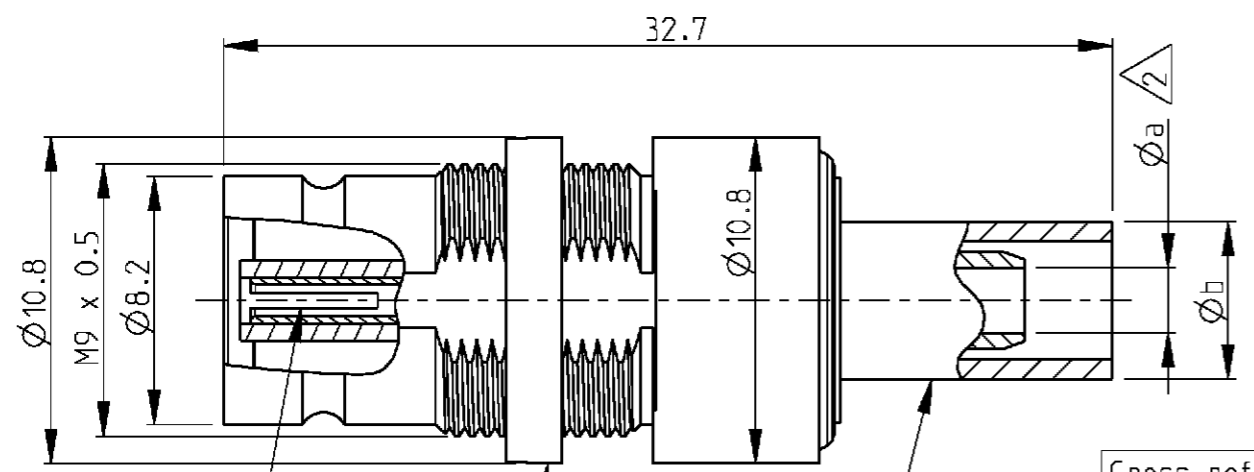


THIS DRAWING IS UNPUBLISHED. RELEASED FOR PUBLICATION 2000  
 © COPYRIGHT 2000 BY TYCO ELECTRONICS CORPORATION. ALL RIGHTS RESERVED.

LOC	DIST	REVISIONS					
		P	LTR	DESCRIPTION	DATE	DWN	APVD
GW	-		A	-	5APR2001	BL	KM
			A1	REVISED PER ECO-09-026495	30NOV09	KK	AEG



Cross reference table									
Old part number	Tyco part number	Description	Material	Plating	Cable type	Appl spec	Øa	Øb	
V23612-D609-G32	<del>2-1393672-0</del>	Outer conductor	Brass	1 µm Au min in contact area	TR-SP 109	114-71029	3.8	8.2	
		Center conductor	CuBe	1 µm Au min in contact area					
		Dielectric	PEEK/PC	-					
V23612-C609-G69	<del>1-1393672-9</del>	Outer conductor	Brass	1 µm Au min in contact area	TR-SP 119	114-71029	2.95	8.18	
		Center conductor	CuBe	1 µm Au min in contact area					
		Dielectric	PEEK/PC	-					
V23612-C609-G34A	1-1393672-8	Outer conductor	Brass	1 µm Au min in contact area	TR-SP 127 TR-SP 128	114-71029	2.35	6.4	
		Center conductor	CuBe	1 µm Au min in contact area					
		Dielectric	PEEK/PC	-					
V23612-C609-G34	<del>1-1393672-7</del>	Outer conductor	Brass	1 µm Au min in contact area	TR-SP 127 TR-SP 128	114-71029	2.35	6.4	
		Center conductor	CuBe	1 µm Au min in contact area					
		Dielectric	PEEK/PC	-					
V23612-B602-G76	1-1393672-4	Outer conductor	Brass	1 µm Au min in contact area	02Y (St) CY 0.45/2.0	114-71021	2.15	5.2	
		Center conductor	CuBe	1 µm Au min in contact area					
		Dielectric	PEEK/PC	-					

**6** OBSOLETE PARTS: OBSOLETE CIS STREAMLINING PER D.RENAUD/D.SINISI

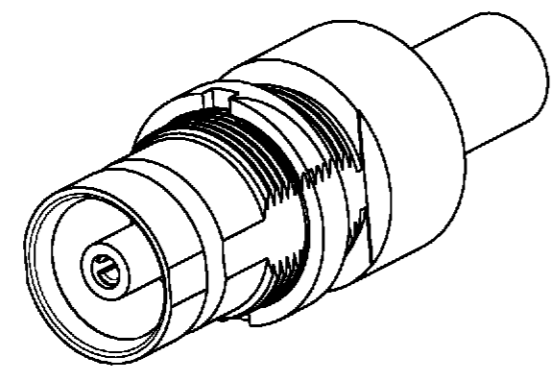
**5** Packed in tray

4) Mating face according to DIN 47295/CECC 22240

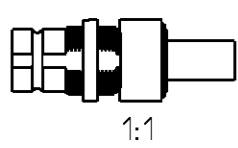
3) Construction : 3 components principle.

**2** Minimum dimension.

**1** Supplied as loose part



3:1



1:1

<small>THIS DRAWING IS A CONTROLLED DOCUMENT FOR TYCO ELECTRONICS CORPORATION. IT IS SUBJECT TO CHANGE AND THE CONTROLLING ENGINEERING ORGANIZATION SHOULD BE CONTACTED FOR THE LATEST REVISION.</small>		DWN 26FEB2001 B. Lenvain		Tyco Electronics Oostkamp - Belgium	
DIMENSIONS: mm		TOLERANCES UNLESS OTHERWISE SPECIFIED:		NAME Cable jack 1.6/5.6 75 ohm	
		0 PLC ± 1 PLC ± 2 PLC ± 3 PLC ± 4 PLC ± ANGLES ±		PRODUCT SPEC - APPLICATION SPEC See table WEIGHT -	
MATERIAL --		FINISH -		SIZE A3 CAGE CODE 00779 DRAWING NO 1-1393672-4 RESTRICTED TO -	
CUSTOMER DRAWING				SCALE 4/1 SHEET 1 OF 1 REV A1	

单击下面可查看定价，库存，交付和生命周期等信息

[>>TE Connectivity\(泰科\)](#)