

4

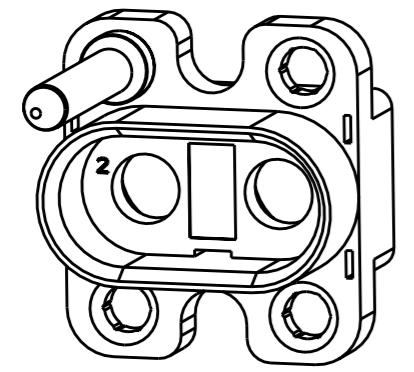
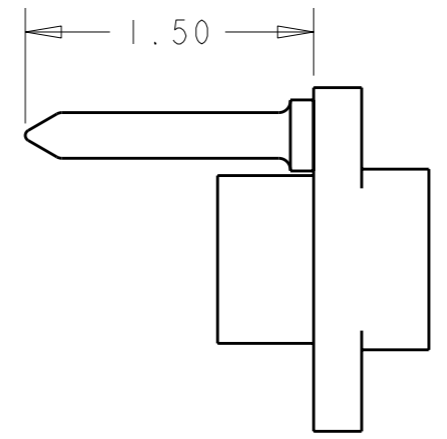
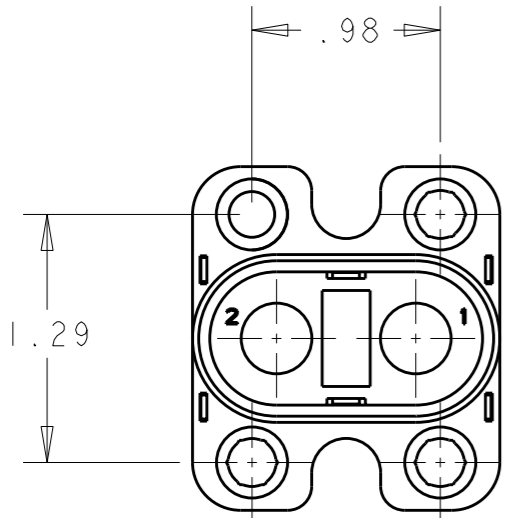
3

2

1

THIS DRAWING IS UNPUBLISHED. RELEASED FOR PUBLICATION 20  
 © COPYRIGHT 20 BY TYCO ELECTRONICS CORPORATION. ALL RIGHTS RESERVED.

LOC	DIST	REVISIONS			
P	LTR	DESCRIPTION	DATE	DWN	APVD
GP	00	A	INITIAL RELEASE	26SEP2006	GIP DO
		B	REVISED PER ECO-06-027848	29NOV2006	GIP DO



P/N 1926236-1

- PART NUMBER CHANGES AND/OR DESIGN CHANGES AFFECTING THE INTERCHANGEABILITY REQUIRES PRIOR TYCO APPROVAL AND AUTHORIZATION BY REVISION TO THIS DRAWING.
- MATERIAL: INSULATOR: THERMOPLASTIC, GLASS REINFORCED, FLAMMABILITY RATED, COLOR: BLACK  
 GUIDE PIN: STAINLESS STEEL  
 LOCKING COLLAR: STAINLESS STEEL

3 ITEMS PROVIDED TO THIS SPECIFICATION TO BE PERMANENTLY IDENTIFIED PER THE FOLLOWING IDENTIFIER:  
 YEAR WEEK  
 TYCO PART NUMBER DATE CODE (i.e. 0216)  
 XXXXXXXX-X XXXX

4. TYCO PART NUMBER : 1926236-1 MARKED/LABEL 3

1926236-1  
 PART NUMBER

<small>THIS DRAWING IS A CONTROLLED DOCUMENT FOR TYCO ELECTRONICS CORPORATION IT IS SUBJECT TO CHANGE AND THE CONTROLLING ENGINEERING ORGANIZATION SHOULD BE CONTACTED FOR THE LATEST REVISION.</small>		DWN G.PETERS 26SEP2006 CHK D.ORRIS 26SEP2006 APVD S.FLICKINGER 26SEP2006		<b>tyco</b> Tyco Electronics <b>Electronics</b> Harrisburg, PA 17105-3608	
DIMENSIONS: INCHES 		TOLERANCES UNLESS OTHERWISE SPECIFIED: 0 PLC ±. 1 PLC ±.1 2 PLC ±.02 3 PLC ±.010 4 PLC ±.0005 ANGLES ±.5		NAME DUALPOWER CONNECTOR PIN HOUSING W/M3 INT THD GUIDE PINS	
MATERIAL -		FINISH -		SIZE A3 CAGE CODE 00779 DRAWING NO C-1926236 RESTRICTED TO -	
		WEIGHT -		CUSTOMER DRAWING SCALE 1:1 SHEET 1 OF 2 REV B	

ELCON DRAWER

4

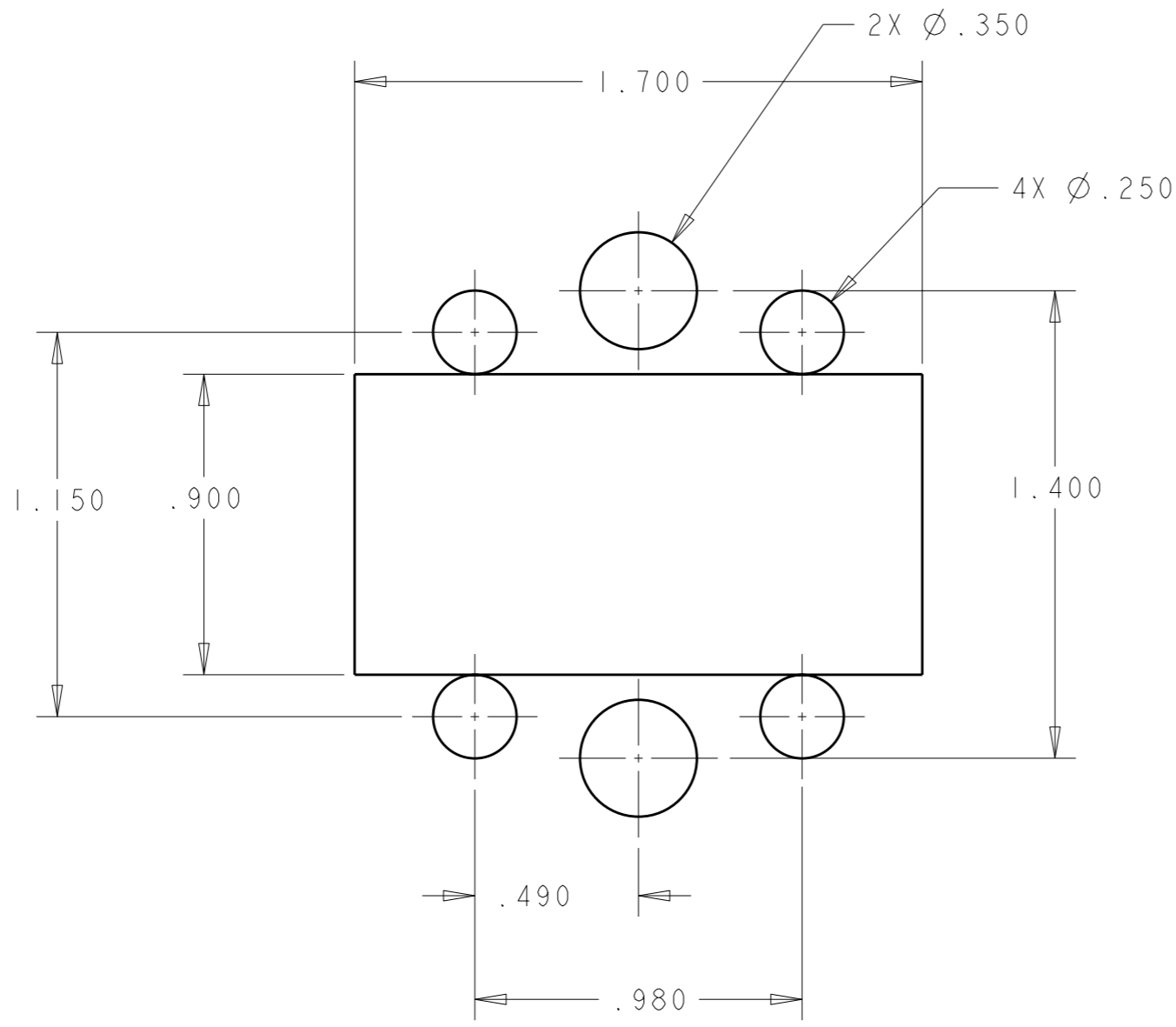
3

2

1

THIS DRAWING IS UNPUBLISHED. RELEASED FOR PUBLICATION 20  
 © COPYRIGHT 20 BY TYCO ELECTRONICS CORPORATION. ALL RIGHTS RESERVED.

LOC	DIST	REVISIONS			
P	LTR	DESCRIPTION	DATE	DWN	APVD
GP	00	-	SEE SHEET 1	-	-



THIS DRAWING IS A CONTROLLED DOCUMENT FOR TYCO ELECTRONICS CORPORATION  
 IT IS SUBJECT TO CHANGE AND THE CONTROLLING ENGINEERING ORGANIZATION  
 SHOULD BE CONTACTED FOR THE LATEST REVISION.

DIMENSIONS: INCHES	TOLERANCES UNLESS OTHERWISE SPECIFIED:
	0 PLC ±-
	1 PLC ±.1
	2 PLC ±.02
	3 PLC ±.010
	4 PLC ±.0005
	ANGLES ±.5
MATERIAL -	FINISH -

DWN	G.PETERS	26SEP2006
CHK	D.ORRIS	26SEP2006
APVD	S.FLICKINGER	26SEP2006
PRODUCT SPEC	-	
APPLICATION SPEC	-	
WEIGHT	-	
CUSTOMER DRAWING		

<b>tyco</b> Electronics		Tyco Electronics Harrisburg, PA 17105-3608	
NAME DUALPOWER CONNECTOR PIN HOUSING W/M3 INT THD GUIDE PINS			
SIZE	CAGE CODE	DRAWING NO	RESTRICTED TO
A3	00779	C-1926236	-
SCALE 1:1		SHEET 2 OF 2	REV B

单击下面可查看定价，库存，交付和生命周期等信息

[>>TE Connectivity\(泰科\)](#)