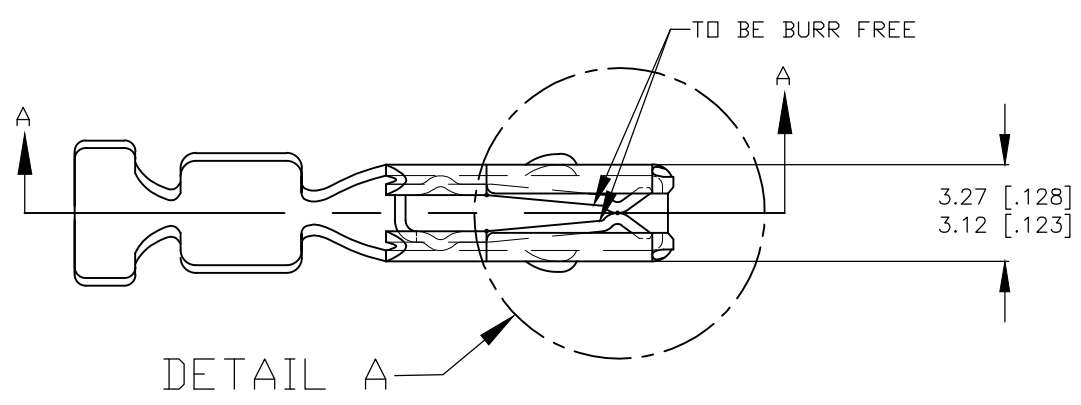
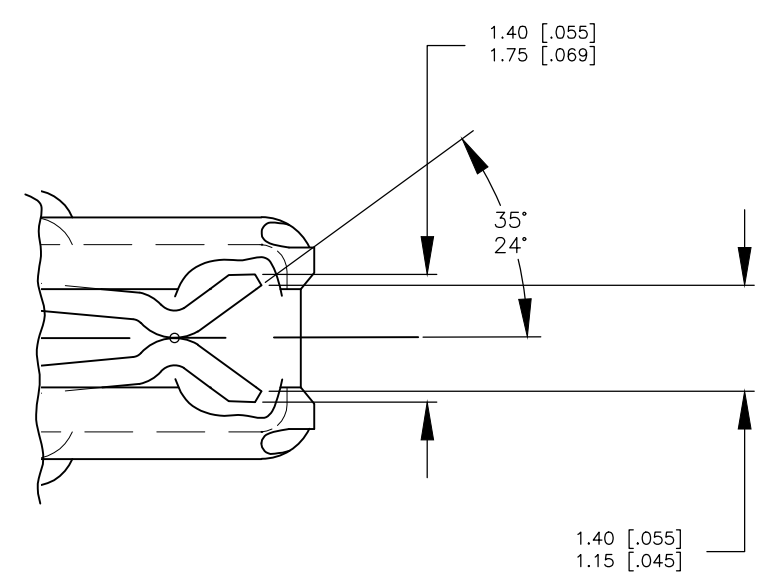
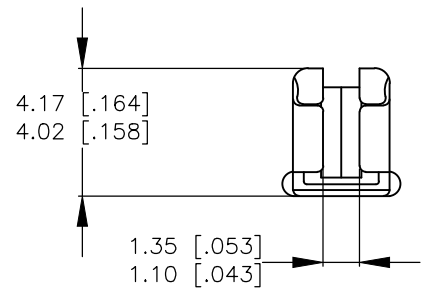
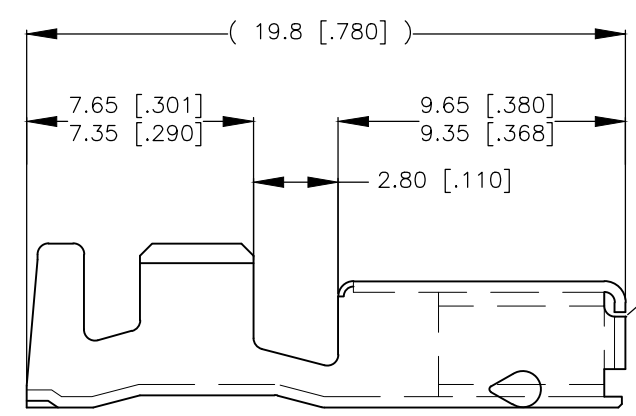


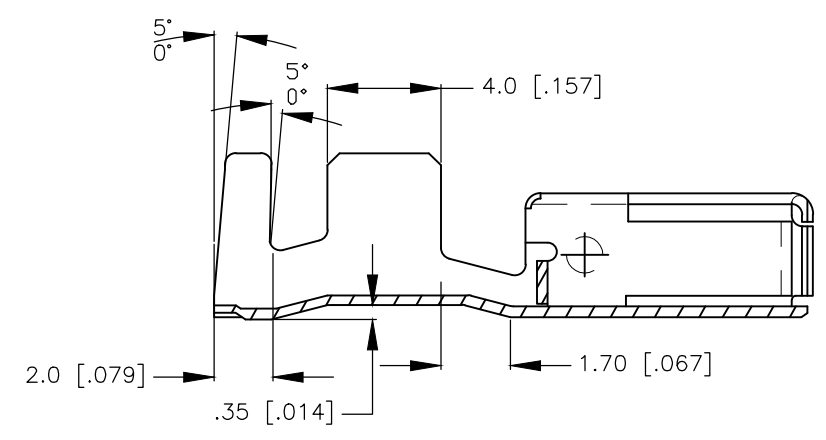
REVISIONS					
P	LTR	DESCRIPTION	DATE	DWN	APVD
	O	EC OKTB-0010-03	09MAY03	JRB	DMR
	A	REVISED PER ECO-20-012417	11SEP2020	AP	WW



DETAIL A



DETAIL A



SECTION A-A

OBSOLETE	1438236-4		13
	1438236-3	-	12
	1438236-2	1438236-5	18
	1438236-1	-	14
TYCO P/N	TYCO P/N REWOUND	GRIP CODE	

THIS DRAWING IS A CONTROLLED DOCUMENT.		DWN JR BUSSARD 09 MAY 2003	<b>STE</b> TE Connectivity		
DIMENSIONS: mm		CHK DM REVAK 09 MAY 2003			
TOLERANCES UNLESS OTHERWISE SPECIFIED:		APVD DM REVAK 09 MAY 2003	NAME TERMINAL - WIRING FEMALE		
<ul style="list-style-type: none"> <li>0 PLC ± -</li> <li>1 PLC ± -</li> <li>2 PLC ± 0.30 1 PLC ± 0.3</li> <li>3 PLC ± -</li> <li>4 PLC ± -</li> <li>ANGLES ± 1°</li> </ul>		PRODUCT SPEC	SIZE		
MATERIAL		APPLICATION SPEC	CAGE CODE	DRAWING NO	RESTRICTED TO
FINISH		WEIGHT 0.000000	A3 00779	C-1438236	
CUSTOMER DRAWING			SCALE 5:1	SHEET 1 OF 1	REV A

单击下面可查看定价，库存，交付和生命周期等信息

[>>TE Connectivity\(泰科\)](#)