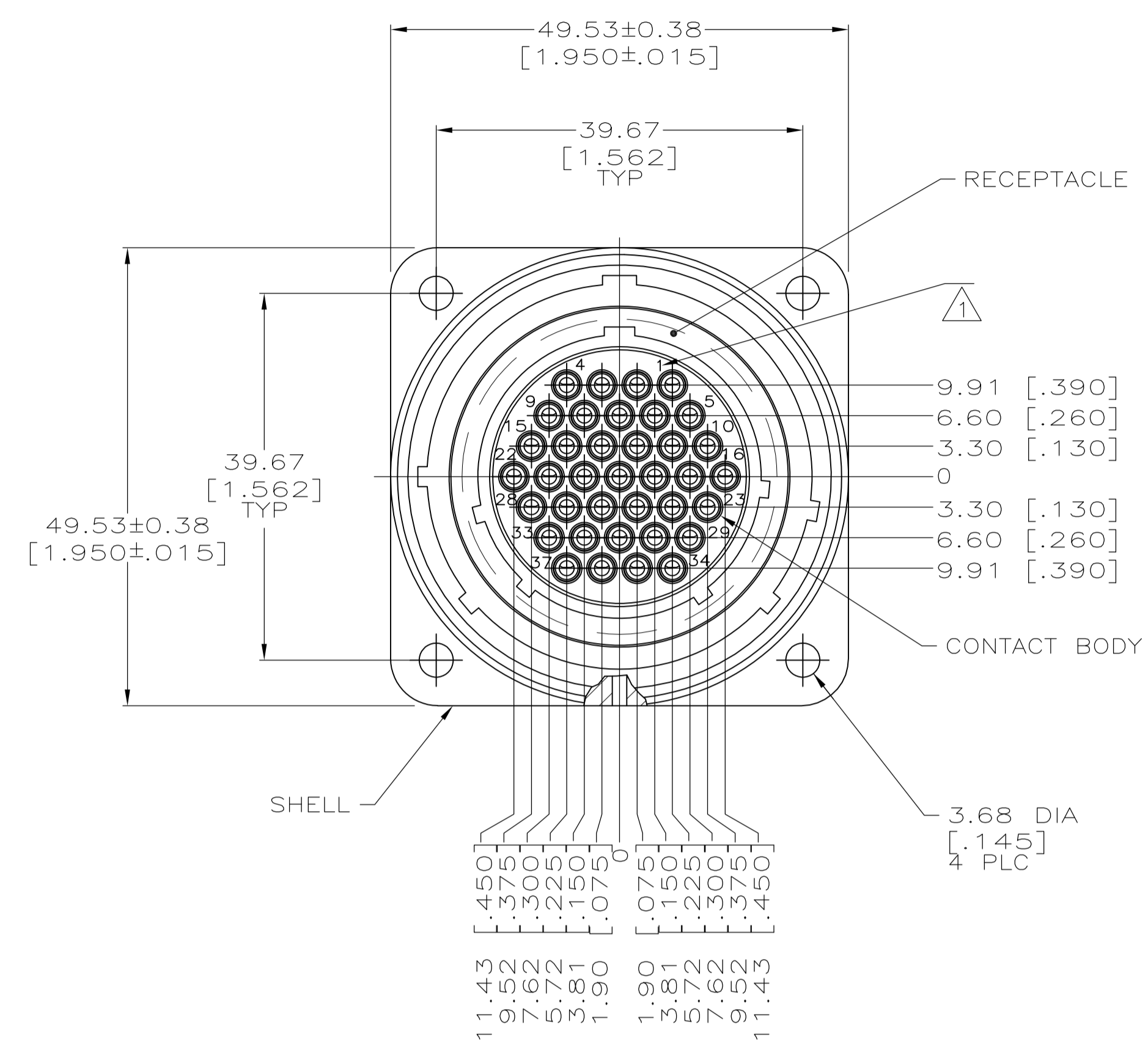
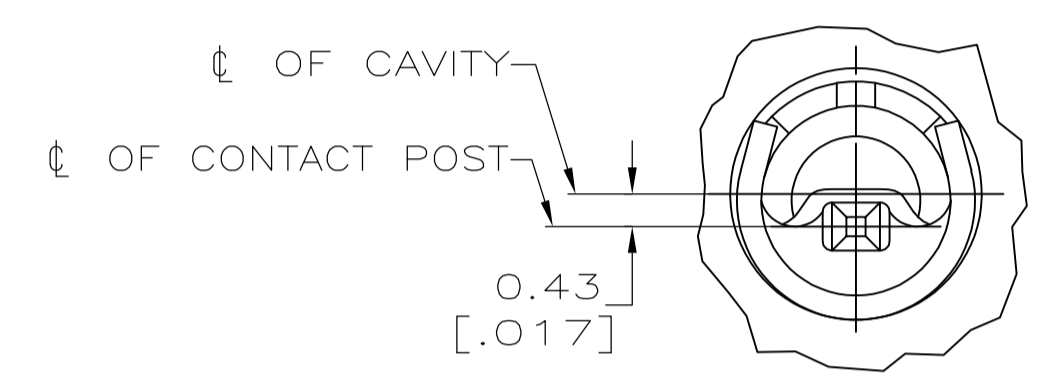
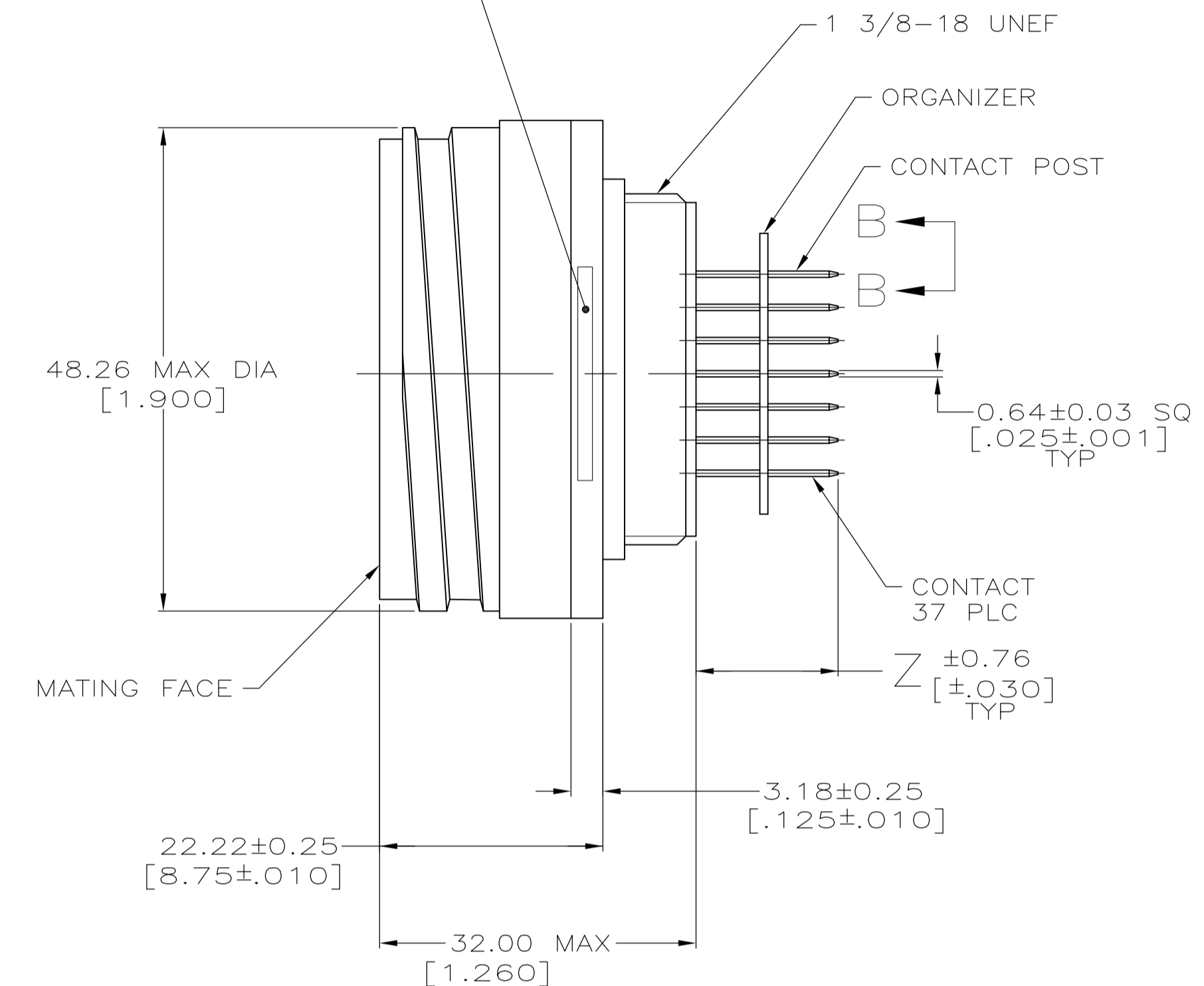


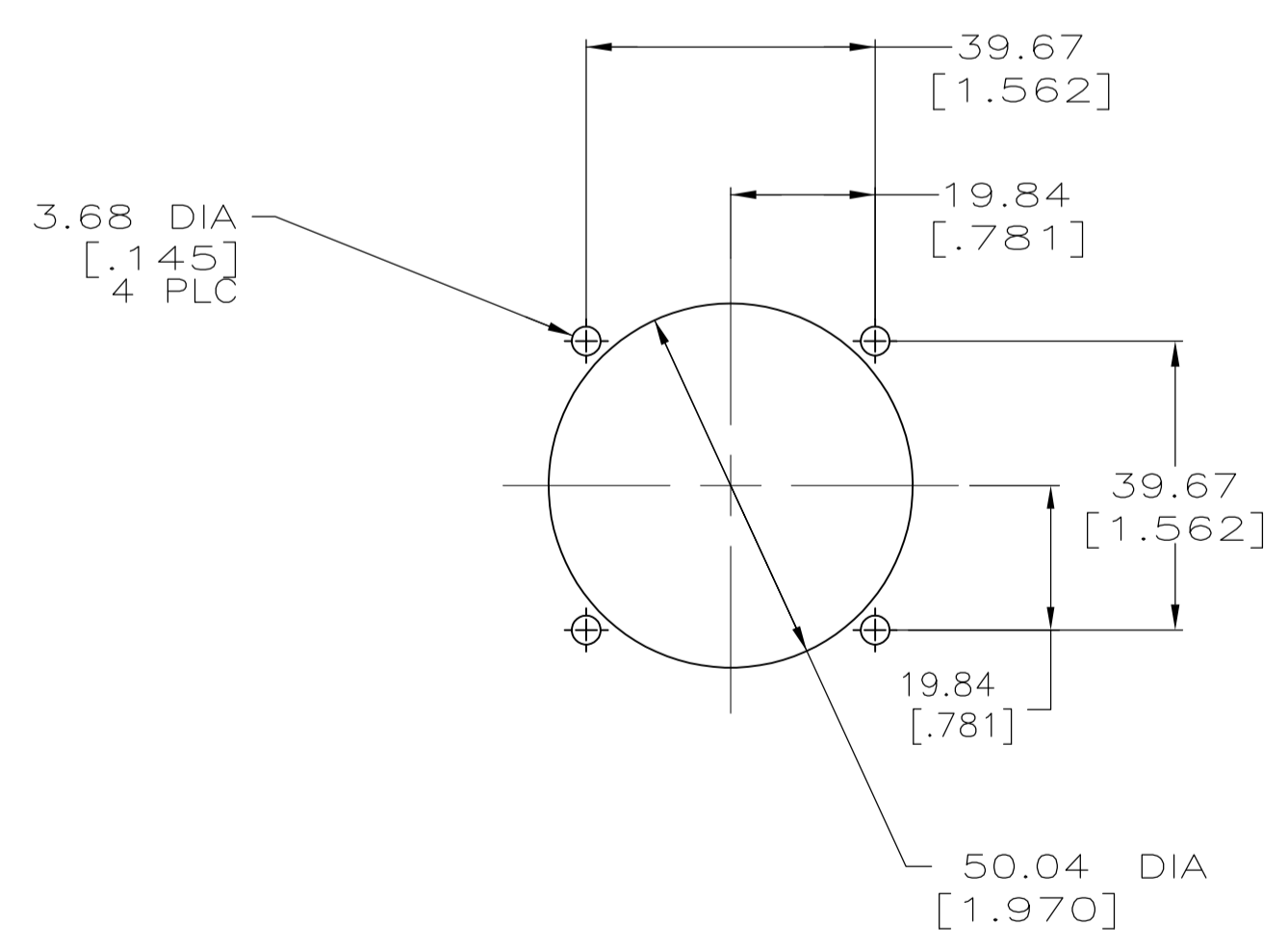
REVISIONS					
P	LTR	DESCRIPTION	DATE	DN	APVD
E	1	REVISED PER ECO-16-004800	08SEP2016	NK	MZ
F		REVISED PER ECO-16-018358	09MAR2017	RS	MZ



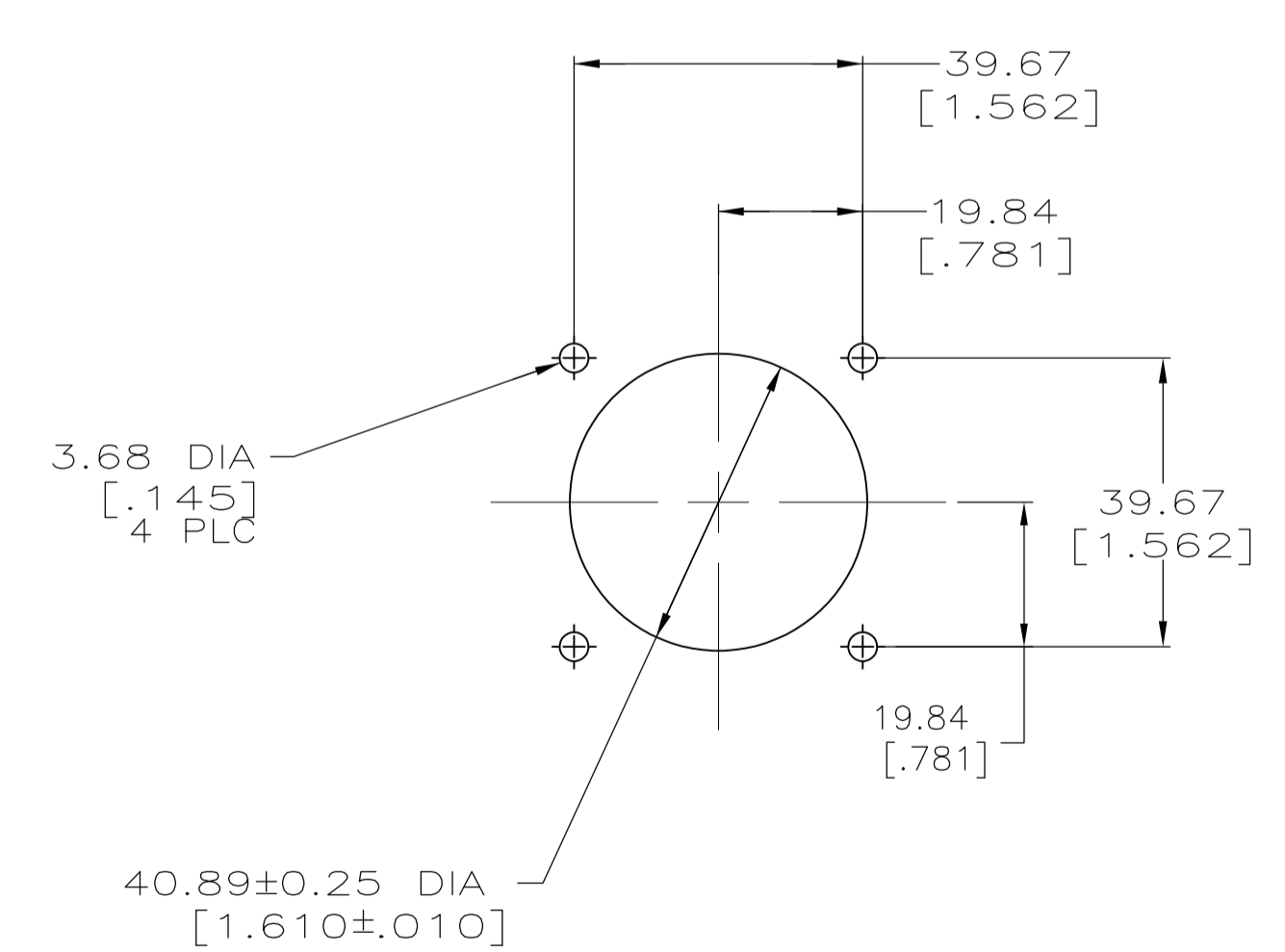
PART NO & DATE CODE MARKED IN AREA INDICATED, ON EITHER SIDE



VIEW B-B
SCALE 10:1
TYPICAL



REAR MOUNTED PANEL CUTOUT
SCALE 1:1



FRONT MOUNTED PANEL CUTOUT
SCALE 1:1

- ⚠ CAVITY IDENTIFICATION CHARACTERS ON FRONT AND REAR FACE.
- ⚠ NYLON, UL 94V-0 RATED, BLACK.
- ⚠ CONTACT BODY: 0.76µm [.000030] MIN GOLD FOR A LENGTH OF 2.54 [.100] MIN FROM MATING END, GOLD FLASH ON REMAINDER, BOTH OVER 1.27µm [.000050] MIN NICKEL. CONTACT POST: 2.54µm [.000100] MIN TIN-LEAD OVER 2.54µm [.000100] MIN COPPER.
- ⚠ 5.08µm [.000200] MIN NICKEL OVER 10.16µm [.000400] MIN COPPER.
- ⚠ CONTACT BODY: 0.76µm [.000030] MIN GOLD FOR A LENGTH OF 2.54 [.100] MIN FROM MATING END, GOLD FLASH ON REMAINDER, BOTH OVER 1.27µm [.000050] MIN NICKEL. CONTACT POST: 2.54µm [.000100] MIN TIN OVER 2.54µm [.000100] MIN COPPER.
- ⚠ SELECT LOAD CONTACTS 35 & 36 REMOVED.

OBsolete	YES	NO	REVISION	DATE	PART NUMBER
	YES	NO	⚠	41.40 [1.630]	213597-5
	NO	YES	⚠	16.38 [.645]	213597-4
OBsolete	NO	YES	⚠	16.38 [.645]	213597-3
	NO	YES	⚠	16.38 [.645]	213597-2
	NO	YES	⚠	14.15 [.557]	213597-1
NOTES	ORGANIZER	CONTACT FINISH	Z	PART NUMBER	

THIS DRAWING IS A CONTROLLED DOCUMENT.

DIMENSIONS: mm [INCHES]	TOLERANCES UNLESS OTHERWISE SPECIFIED:	DIN L SIDE 4-23-90	CRK R STONE 4-25-90	APVD K DeOLD 4-25-90	NAME
0 PLC ± -	1 PLC ± -	2 PLC ± 0.13 [.005]	3 PLC ± -	4 PLC ± -	ANGLES ± -
MATERIAL: RECEPTACLE: SHELL: ZINC CONTACT: BRASS	FINISH: SHELL: CONTACT:	WEIGHT	SIZE	CAGE CODE	DRAWING NO
CUSTOMER DRAWING		SCALE 2:1	SHEET 1 of 1	REV F	RESTRICTED TO

STE TE Connectivity
RECEPTACLE ASSEMBLY, 28-37, REVERSE SEX, CMC
108-10040
00779-213597

单击下面可查看定价，库存，交付和生命周期等信息

[>>TE Connectivity\(泰科\)](#)