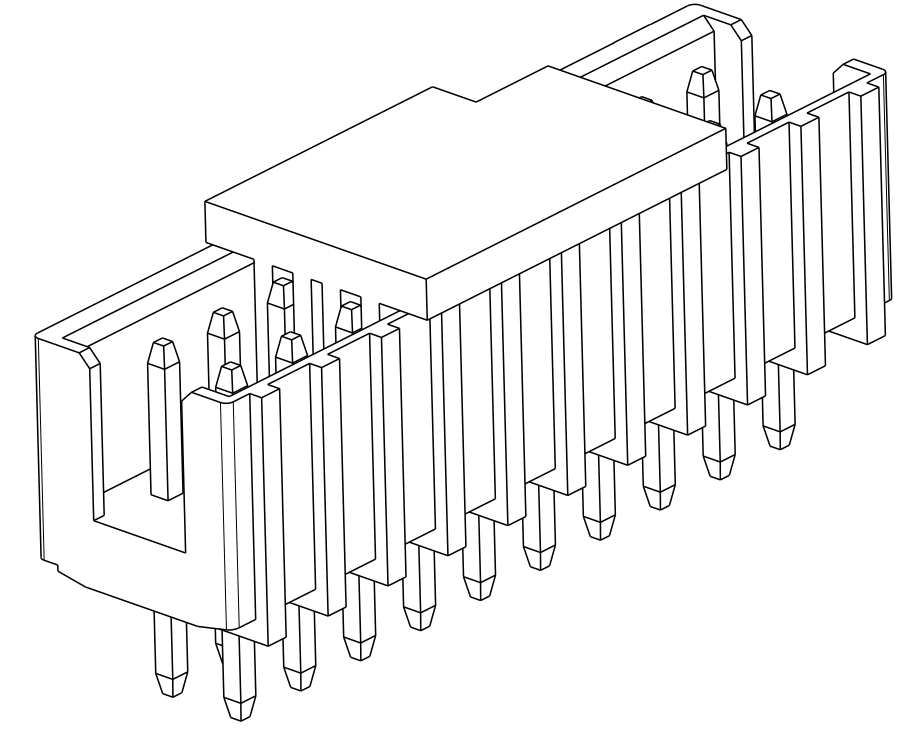
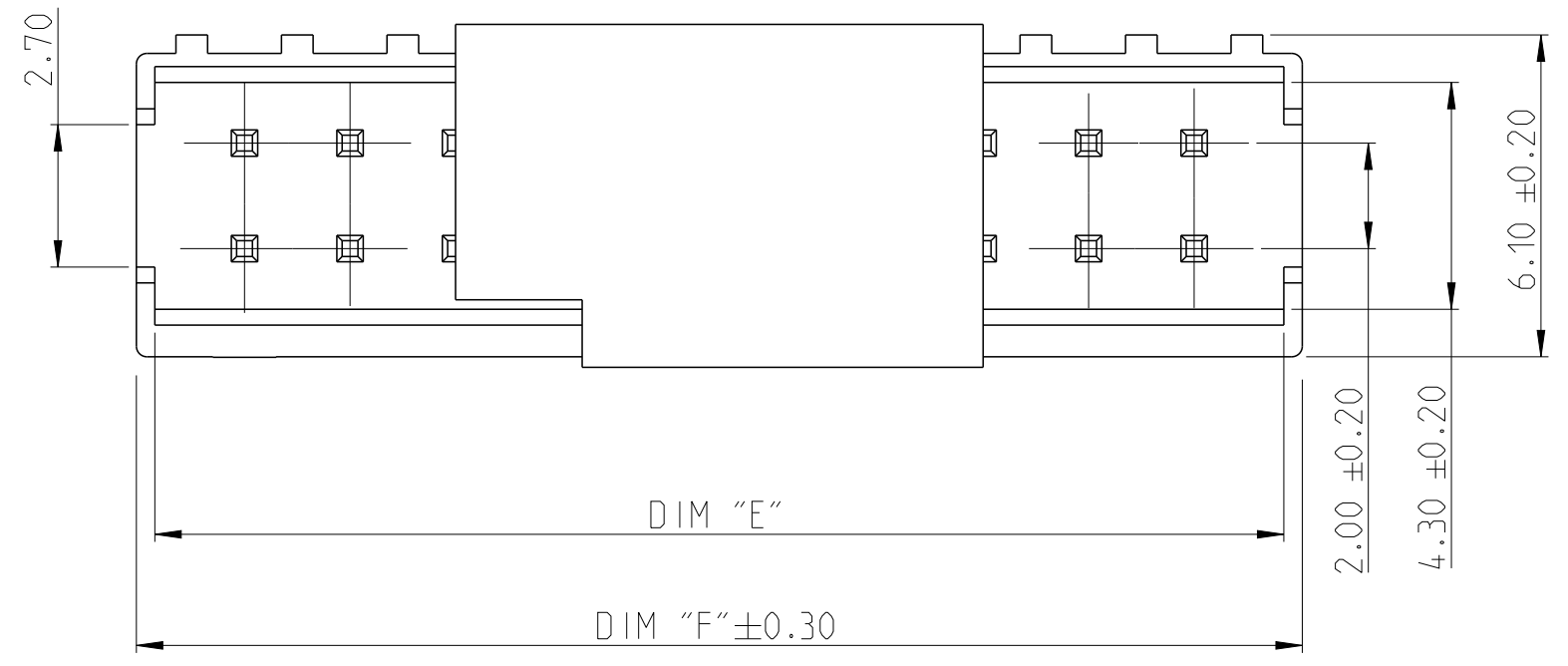
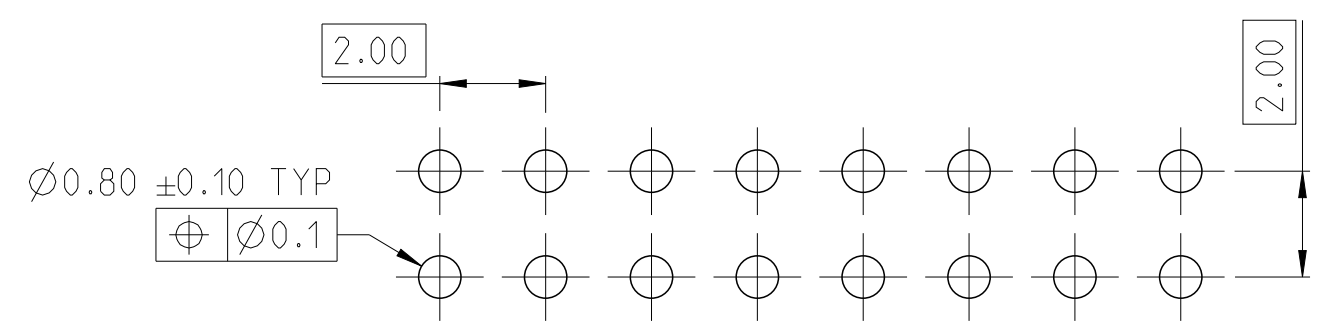


| REVISIONS |     |                            |           |       |
|-----------|-----|----------------------------|-----------|-------|
| P         | LTR | DESCRIPTION                | DATE      | APVD  |
| A         |     | RELEASE TO PRODUCTION      | 09DEC2019 | AY PS |
| A1        |     | REMOVE POSITION 4, 6 AND 8 | 04JUN2020 | AY PS |

NOTES:  
 1. MATERIAL  
 HOUSING & P&P CAP : HIGH TEMPERATURE THERMOPLASTIC, UL94-V0; COLOR- BLACK  
 POST : COPPER ALLOY  
 FINISH :  
 MATING SIDE: MIN. 0.1 μm GOLD OVER NICKEL UNDER PLATING.  
 SOLDER SIDE: MIN. 2.0 μm TIN OVER NICKEL UNDER PLATING.  
 2. PACKAGING: TAPE AND REEL (WITH PICK AND PLACE CAP)  
 3. TOLERANCE NOT CUMULATIVE.

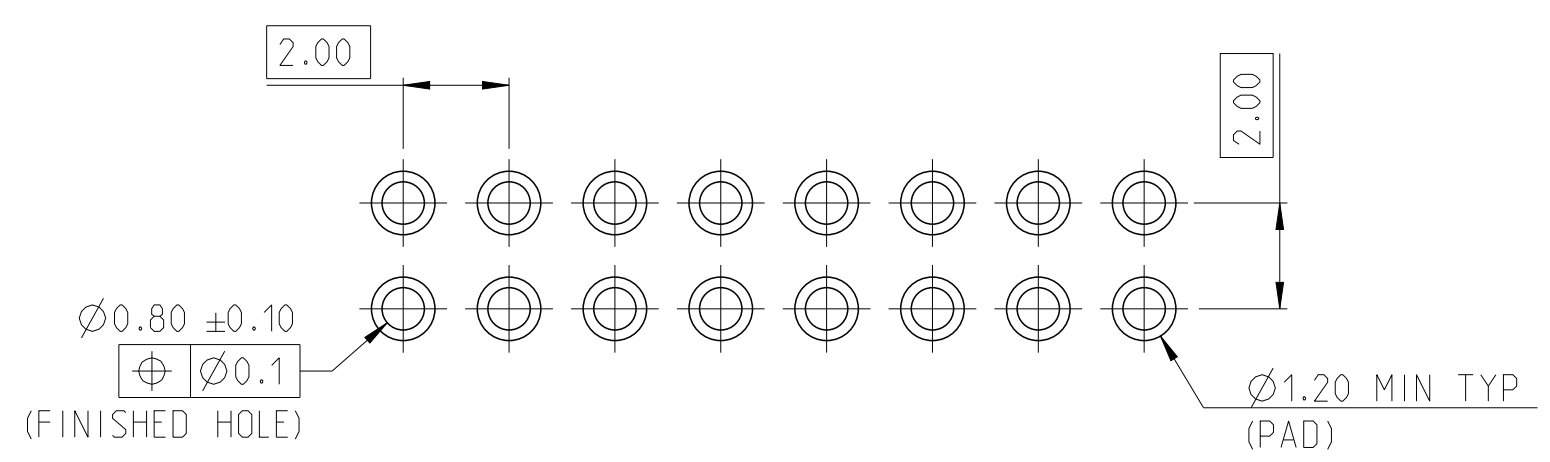


|         |         |      |             |
|---------|---------|------|-------------|
| 52.10   | 51.40   | 50   | 5-2842290-0 |
| 50.10   | 49.40   | 48   | 4-2842290-8 |
| 48.10   | 47.40   | 46   | 4-2842290-6 |
| 46.10   | 45.40   | 44   | 4-2842290-4 |
| 44.10   | 43.40   | 42   | 4-2842290-2 |
| 42.10   | 41.40   | 40   | 4-2842290-0 |
| 40.10   | 39.40   | 38   | 3-2842290-8 |
| 38.10   | 37.40   | 36   | 3-2842290-6 |
| 36.10   | 35.40   | 34   | 3-2842290-4 |
| 34.10   | 33.40   | 32   | 3-2842290-2 |
| 32.10   | 31.40   | 30   | 3-2842290-0 |
| 30.10   | 29.40   | 28   | 2-2842290-8 |
| 28.10   | 27.40   | 26   | 2-2842290-6 |
| 26.10   | 25.40   | 24   | 2-2842290-4 |
| 24.10   | 23.40   | 22   | 2-2842290-2 |
| 22.10   | 21.40   | 20   | 2-2842290-0 |
| 20.10   | 19.40   | 18   | 1-2842290-8 |
| 18.10   | 17.40   | 16   | 1-2842290-6 |
| 16.10   | 15.40   | 14   | 1-2842290-4 |
| 14.10   | 13.40   | 12   | 1-2842290-2 |
| 12.10   | 11.40   | 10   | 1-2842290-0 |
| DIM "F" | DIM "E" | POS. | TE PN.      |



RECOMMENDED PCB HOLE PATTERN FOR THROUGH HOLE WAVE

2-2842290-0 AS SHOWN



RECOMMENDED PCB HOLE PATTERN FOR THROUGH HOLE REFLOW /PIN-IN-PASTE

|                    |          |
|--------------------|----------|
| PICK AND PLACE CAP | 3        |
| CONTACT PIN        | 2        |
| HOUSING            | 1        |
| DESCRIPTION        | ITEM NO. |

|  |           |                             |
|--|-----------|-----------------------------|
| THIS DRAWING IS A CONTROLLED DOCUMENT. |           | DWN ANKIT YADAV 11NOV2019   |
|  |           | CHK KARTHIK JK 25NOV2019    |
|  |           | APVD PRASHANTH S. 27NOV2019 |
| DIMENSIONS: mm                         |           | PRODUCT SPEC 108-64040      |
| TOLERANCES UNLESS OTHERWISE SPECIFIED: |           | APPLICATION SPEC 114-32259  |
| 0 PLC ±                                |           | WEIGHT -                    |
| 1 PLC ±                                |           |                             |
| 2 PLC ±0.25                            |           |                             |
| 3 PLC ±                                |           |                             |
| 4 PLC ±                                |           |                             |
| ANGLES ±2°                             |           |                             |
| FINISH                                 | SEE NOTES |                             |
| MATERIAL                               | SEE NOTES |                             |
|  |           | CUSTOMER DRAWING            |

|  |                 |                      |                 |
|--|-----------------|----------------------|-----------------|
| <b>STE</b> TE Connectivity   |                 |                      |                 |
| NAME AMPMODU 2mm SHROUDED HEADER DUAL ROW, VERTICAL TH. 0.1 Au, T/R, WITH PICK AND PLACE CAP |                 |                      |                 |
| SIZE A2  | CAGE CODE 00779 | DRAWING NO C-2842290 | RESTRICTED TO - |
| SCALE 5:1  | SHEET 1 OF 1    | REV A1               |                 |

单击下面可查看定价，库存，交付和生命周期等信息

[>>TE Connectivity\(泰科\)](#)