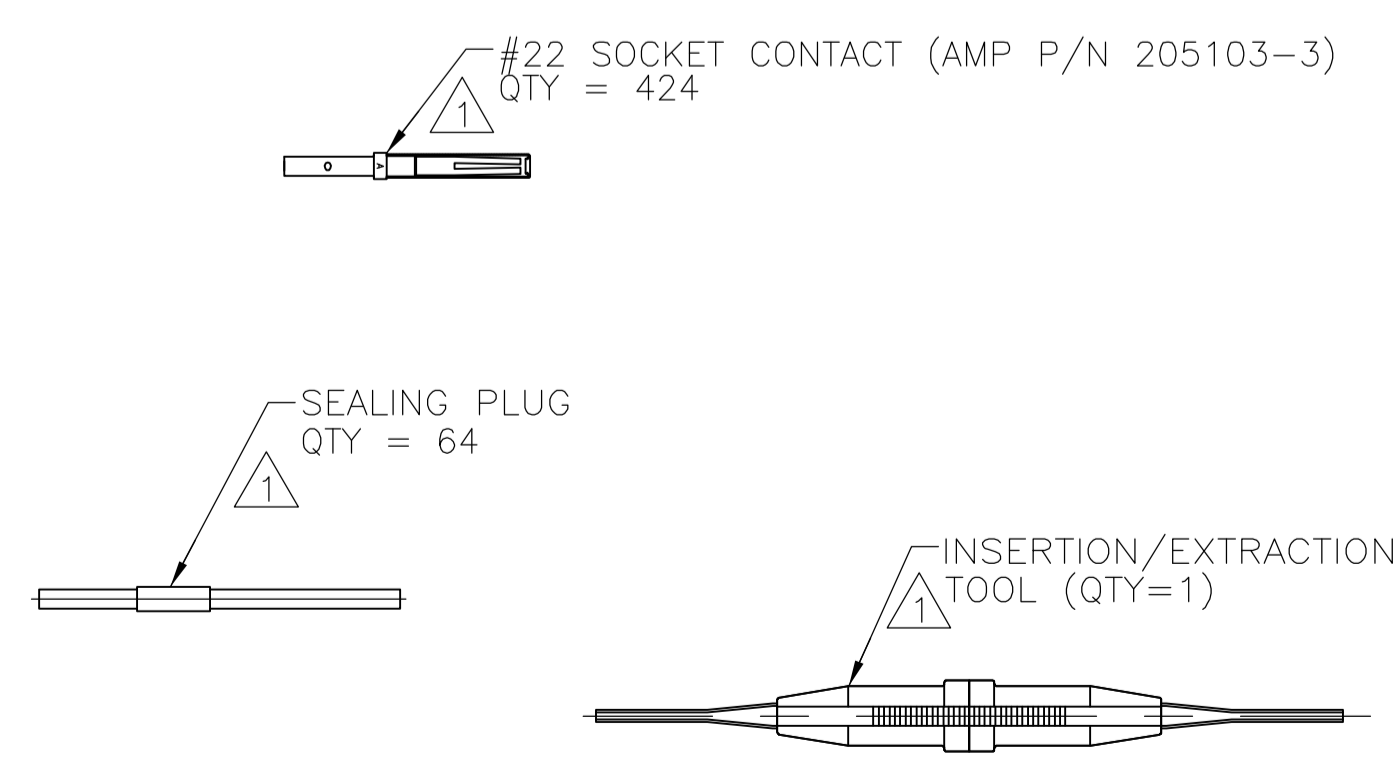


⚠ THESE ITEMS ARE PACKAGED SEPARATELY AND SHIPPED WITH CONNECTOR.



10 CSK HOLES	1218502-2
4 CSK HOLES	1218502-1
REMARKS	PART NUMBER

THIS DRAWING IS A CONTROLLED DOCUMENT.		DIN C.C.THOMAS 7-21-99	 Tyco Electronics Corporation Harrisburg, PA 17105-3608
DIMENSIONS: INCHES		CHK B.GROSS 7-21-99	
TOLERANCES UNLESS OTHERWISE SPECIFIED:		APVD B.GROSS 7-21-99	NAME RECEPTACLE ASSY, ARINC 404 MME4R106S106S106S106S-0300 (200)
0 PLC ± - 1 PLC ± - 2 PLC ± - 3 PLC ± .005 [0.13] 4 PLC ± - ANGLES ± -		PRODUCT SPEC	SIZE A1
MATERIAL SEE CALLOUTS		FINISH SEE CALLOUTS	WEIGHT A1 00779
CUSTOMER DRAWING		SCALE 2:1	SHEET 1 OF 1

单击下面可查看定价，库存，交付和生命周期等信息

[>>TE Connectivity\(泰科\)](#)