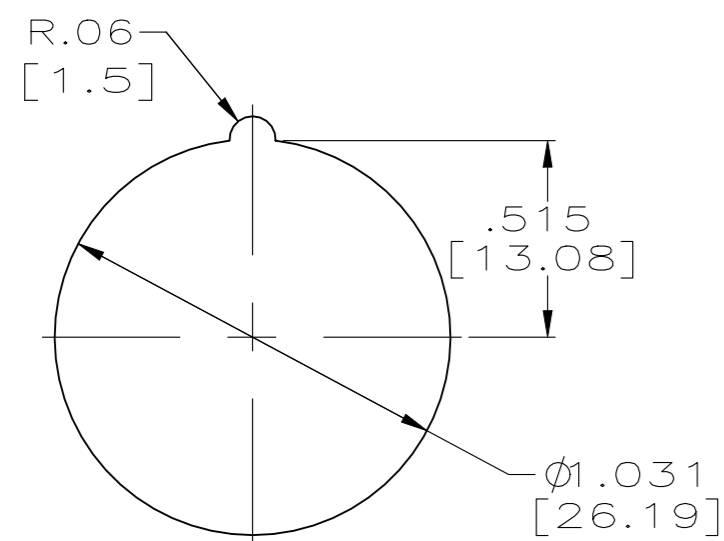
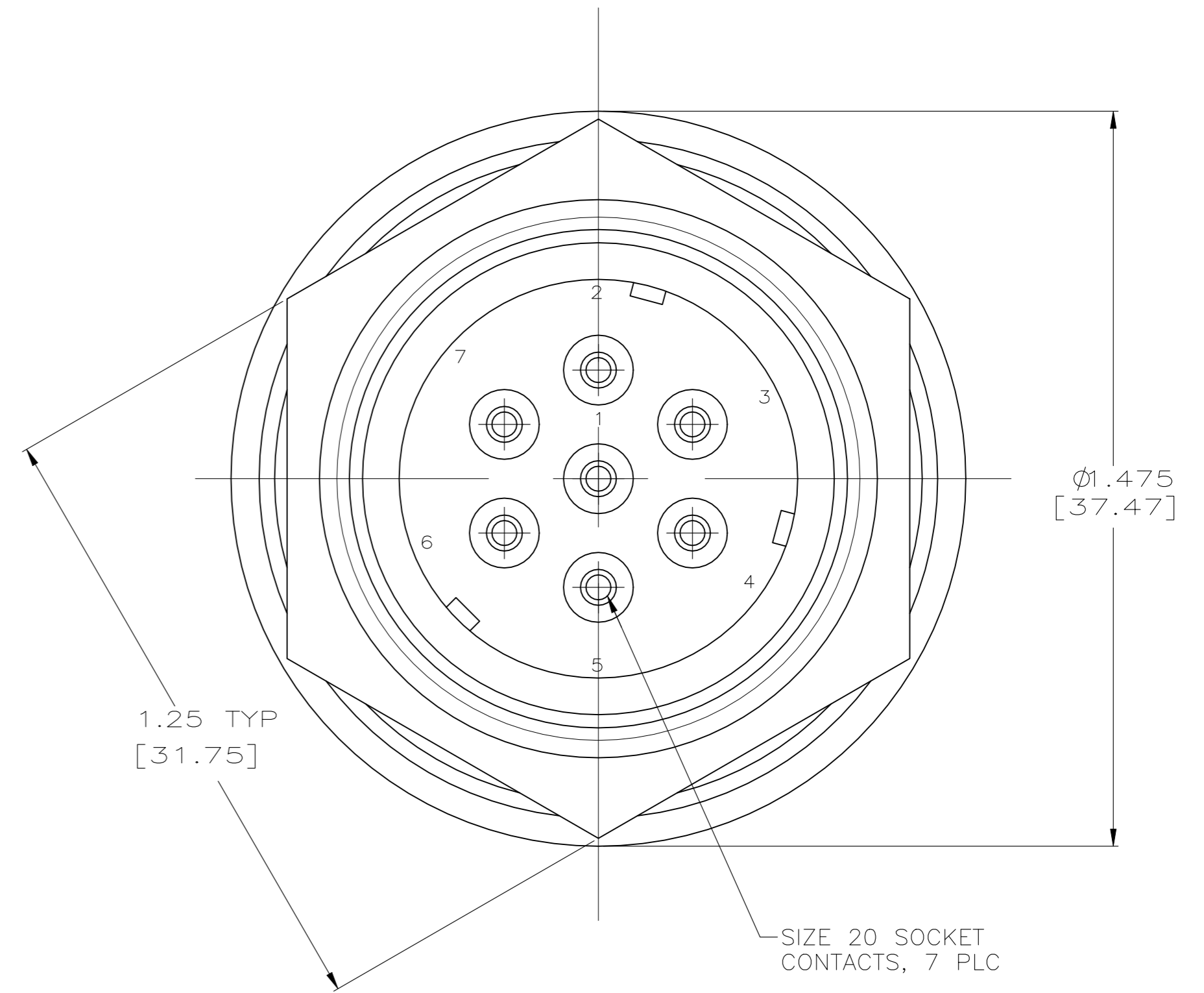
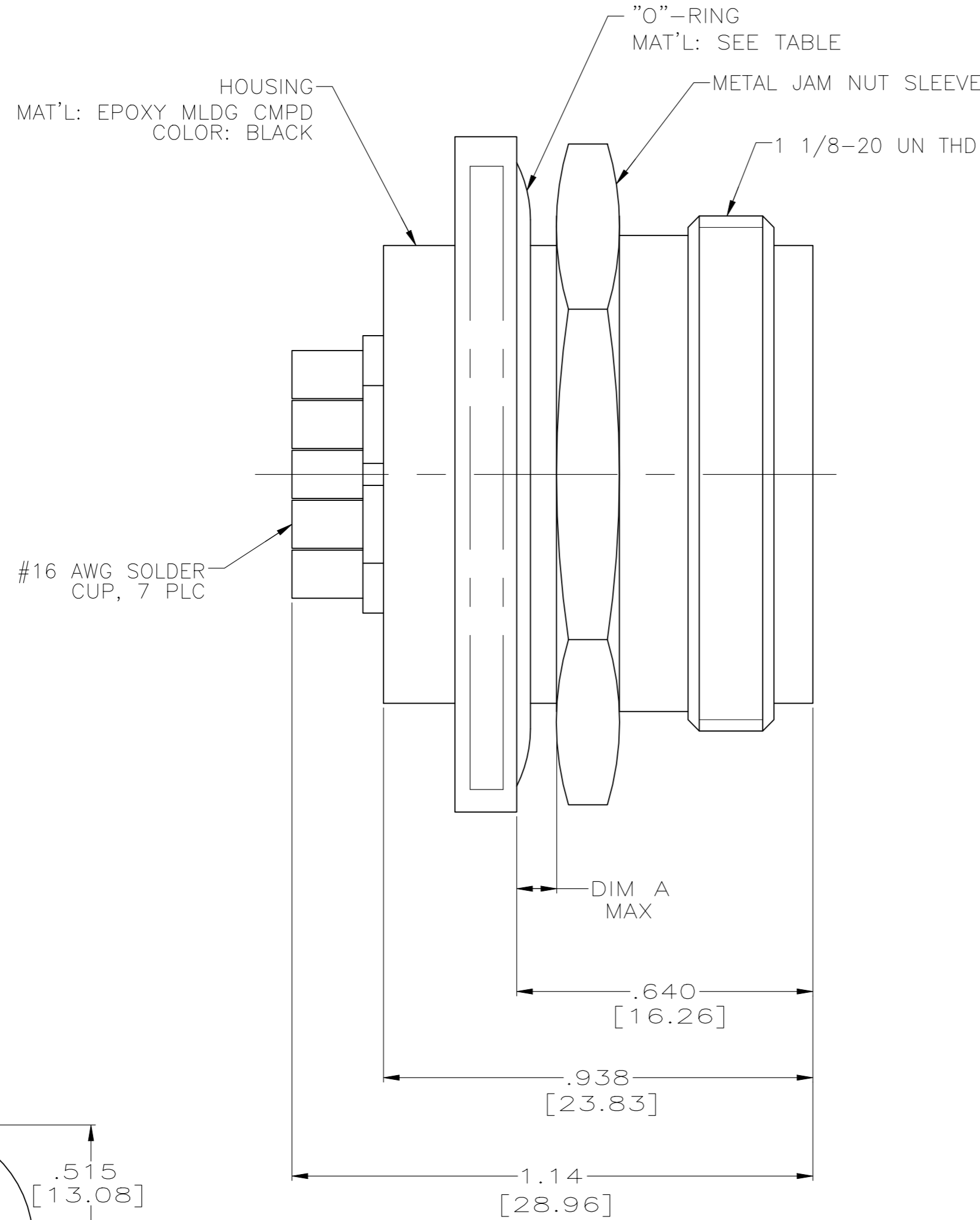


REVISIONS					
P	LTR	DESCRIPTION	DATE	DWN	APVD
H		REV PER ECO 21-004890	5-3-21	CT	DM



RECOMMENDED PANEL CUTOUT  
SCALE 2:1

1. THIS RECEPTACLE IS NOT HERMETICALLY SEALED.
2. MARKED PER MIL-STD-130.

FLUORO RUBBER	.125 [3.18]	862004-4
SILICONE	.060 [1.52]	862004-3
SILICONE	.125 [3.18]	862004-1
O-RING MATERIAL	DIM A MAX PANEL THICKNESS	PART NUMBER

THIS DRAWING IS A CONTROLLED DOCUMENT.		DWN	C.C.THOMAS	7-19-96		TE Connectivity																			
DIMENSIONS: INCHES [mm]		CHK	S.GLATFELTER	8-13-96		NAME 7 PIN MINIATURE RCPT KIT,LGH																			
TOLERANCES UNLESS OTHERWISE SPECIFIED:		APVD	S.GLATFELTER	8-13-96		PRODUCT SPEC -																			
<table border="1"> <tr><td>0 PLC</td><td>±</td><td>-</td></tr> <tr><td>1 PLC</td><td>±</td><td>-</td></tr> <tr><td>2 PLC</td><td>±</td><td>.01 [0.3]</td></tr> <tr><td>3 PLC</td><td>±</td><td>.010 [0.25]</td></tr> <tr><td>4 PLC</td><td>±</td><td>-</td></tr> <tr><td>ANGLES</td><td>±</td><td>-</td></tr> </table>		0 PLC	±	-	1 PLC	±	-	2 PLC	±	.01 [0.3]	3 PLC	±	.010 [0.25]	4 PLC	±	-	ANGLES	±	-	APPLICATION SPEC		-		RESTRICTED TO	
0 PLC	±	-																							
1 PLC	±	-																							
2 PLC	±	.01 [0.3]																							
3 PLC	±	.010 [0.25]																							
4 PLC	±	-																							
ANGLES	±	-																							
MATERIAL SEE CALLOUTS		FINISH SEE CALLOUTS		WEIGHT	0.000000	SIZE	A2																		
CUSTOMER DRAWING				CAGE CODE	00779	DRAWING NO	C=862004																		
				SCALE	4:1	SHEET	1 OF 1																		
				REV	H																				

单击下面可查看定价，库存，交付和生命周期等信息

[>>TE Connectivity\(泰科\)](#)