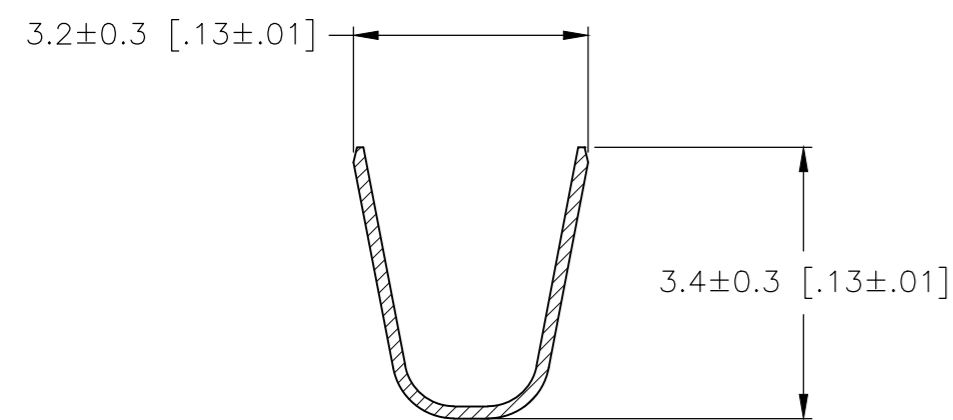
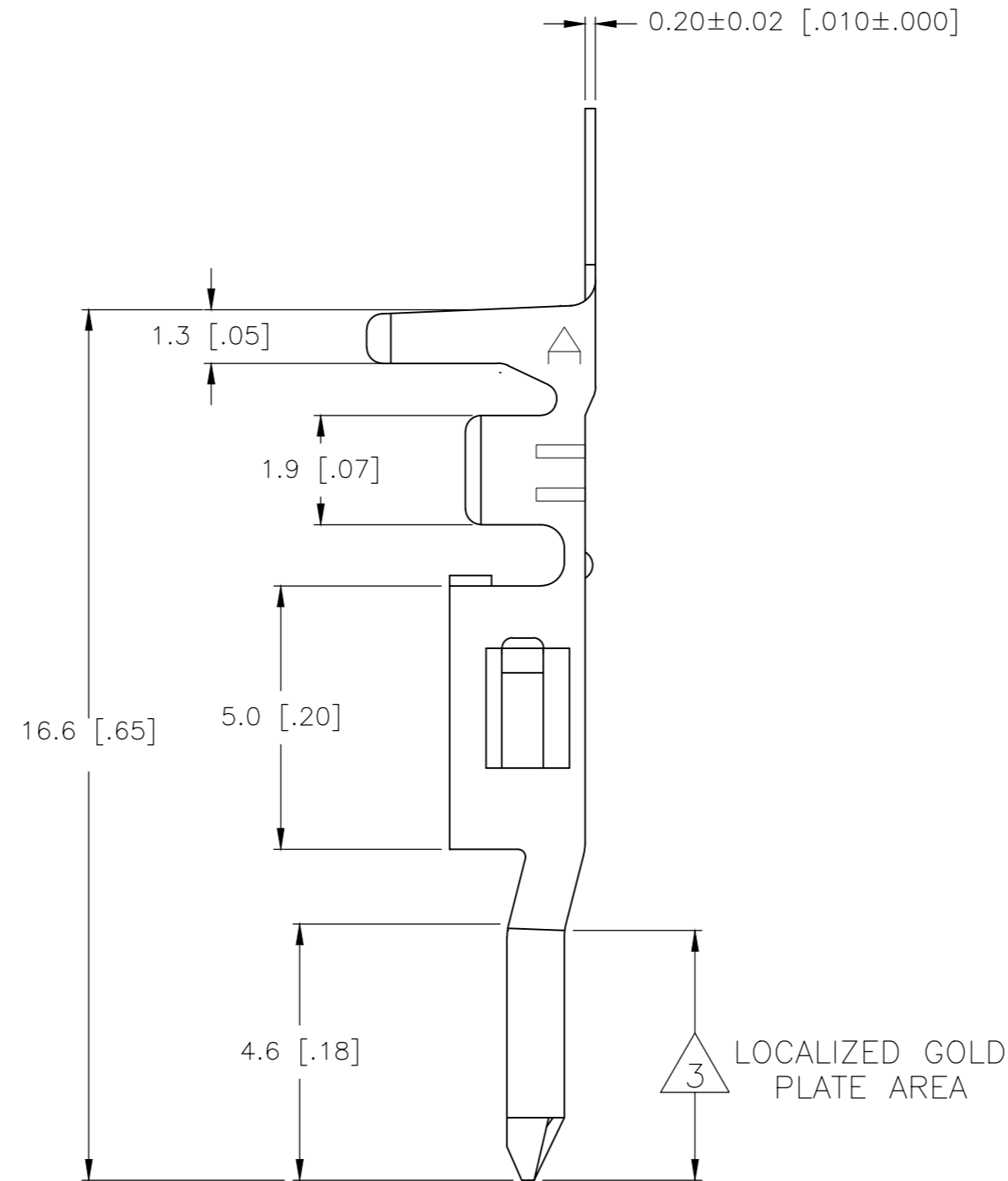
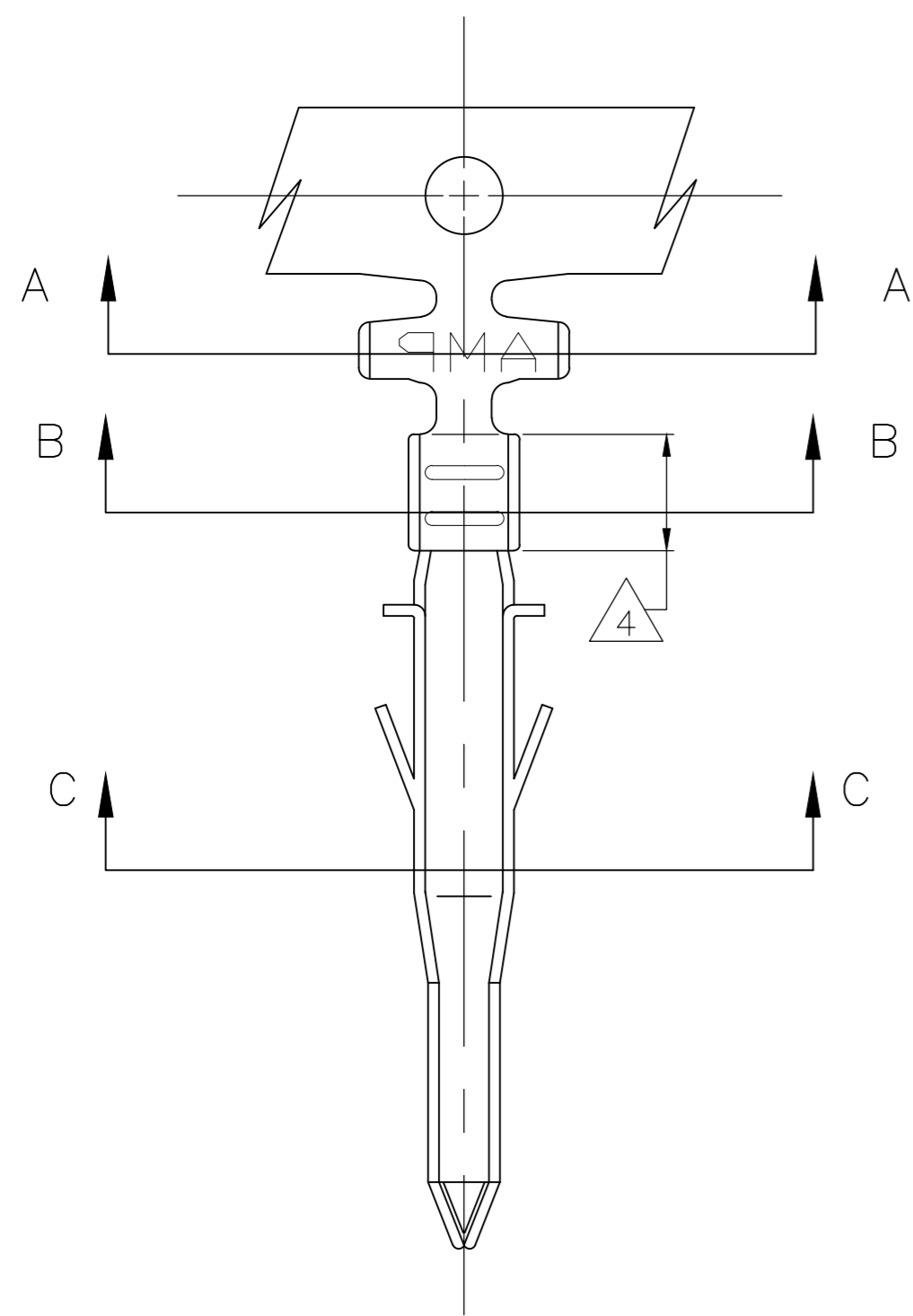


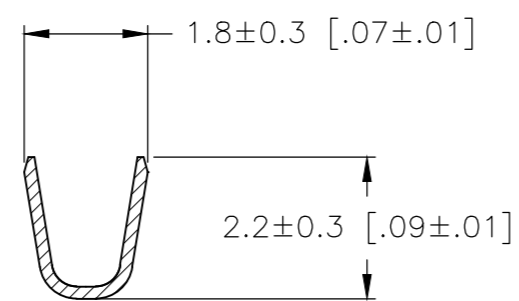
THIS DRAWING IS UNPUBLISHED. RELEASED FOR PUBLICATION
 © COPYRIGHT - By - ALL RIGHTS RESERVED.

REVISIONS				
P	LTR	DESCRIPTION	DATE	APVD
F4		REVISED PER ECO-18-001979	07FEB2018	J.Z D.Z

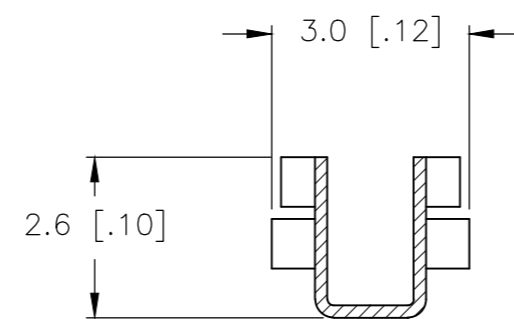
- 1 WIRE RANGE: 0.13–0.32mm² (26–22 AWG).
- 2 INSULATION RANGE: 1.20–1.75 DIA.
- △3 FINISH: 0.76µm MINIMUM GOLD IN LOCALIZED GOLD PLATE AREA OVER 1.27µm MINIMUM NICKEL
- △4 FINISH: 2.54µm MINIMUM PRE-TIN IN LOCALIZED TIN PLATE AREA.
- △5 FINISH: 2.54µm MINIMUM PRE-TIN ALL OVER.



SECTION A-A



SECTION B-B



SECTION C-C

METRIC

GOLD △3△4	PHOS. BRZ.	794957-4
PRE-TIN △5	PHOS. BRZ.	794957-3
GOLD △3△4	BRASS	794957-2
PRE-TIN △5	BRASS	794957-1
FINISH:	MATERIAL:	PART NO.

THIS DRAWING IS A CONTROLLED DOCUMENT.		DWN S. HAMM 06-SEP-2001	TE Connectivity Ltd.	
DIMENSIONS: mm [INCHES]		CHK D. COLEY 07-SEP-2001		
TOLERANCES UNLESS OTHERWISE SPECIFIED:		APVD D. COLEY 07-SEP-2001	NAME	
0 PLC ±		PRODUCT SPEC	TERMINAL PIN VAL-U-LOK(TM)	
1 PLC ± 0.25 [.010]		APPLICATION SPEC	SIZE A2	CAGE CODE 00779
2 PLC ± 0.25 [.010]		WEIGHT 0.000000	DRAWING NO C=794957	RESTRICTED TO -
3 PLC ± 0.15 [.006]		CUSTOMER DRAWING	SCALE 10:1	SHEET 1 of 1
4 PLC ± 0.050 [.0020]			REV F4	
ANGLES ±				
FINISH				

单击下面可查看定价，库存，交付和生命周期等信息

[>>TE Connectivity\(泰科\)](#)