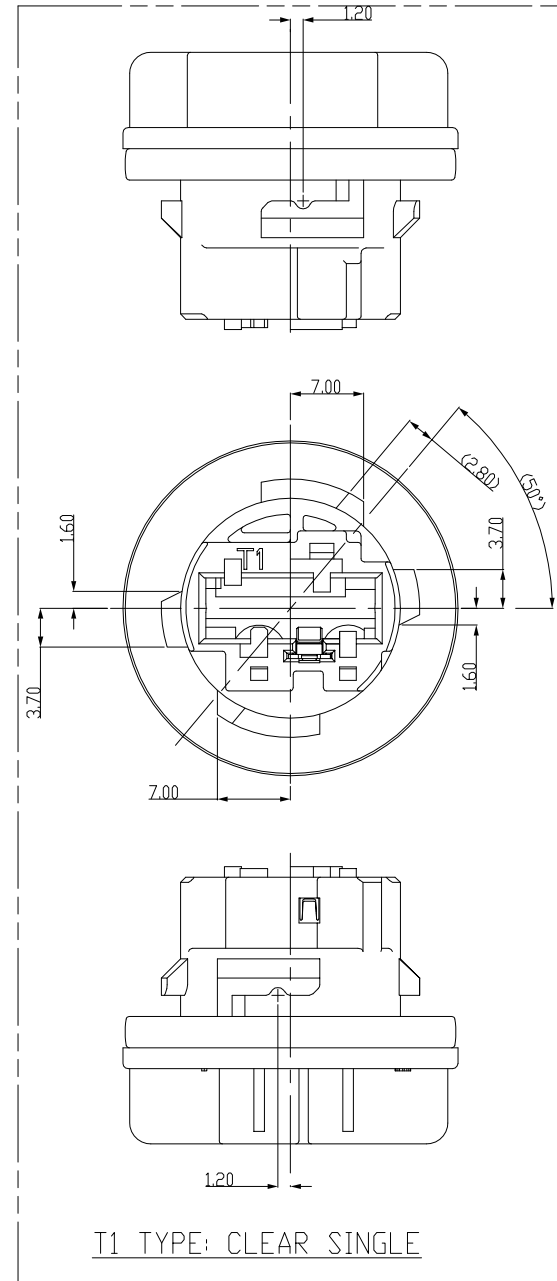
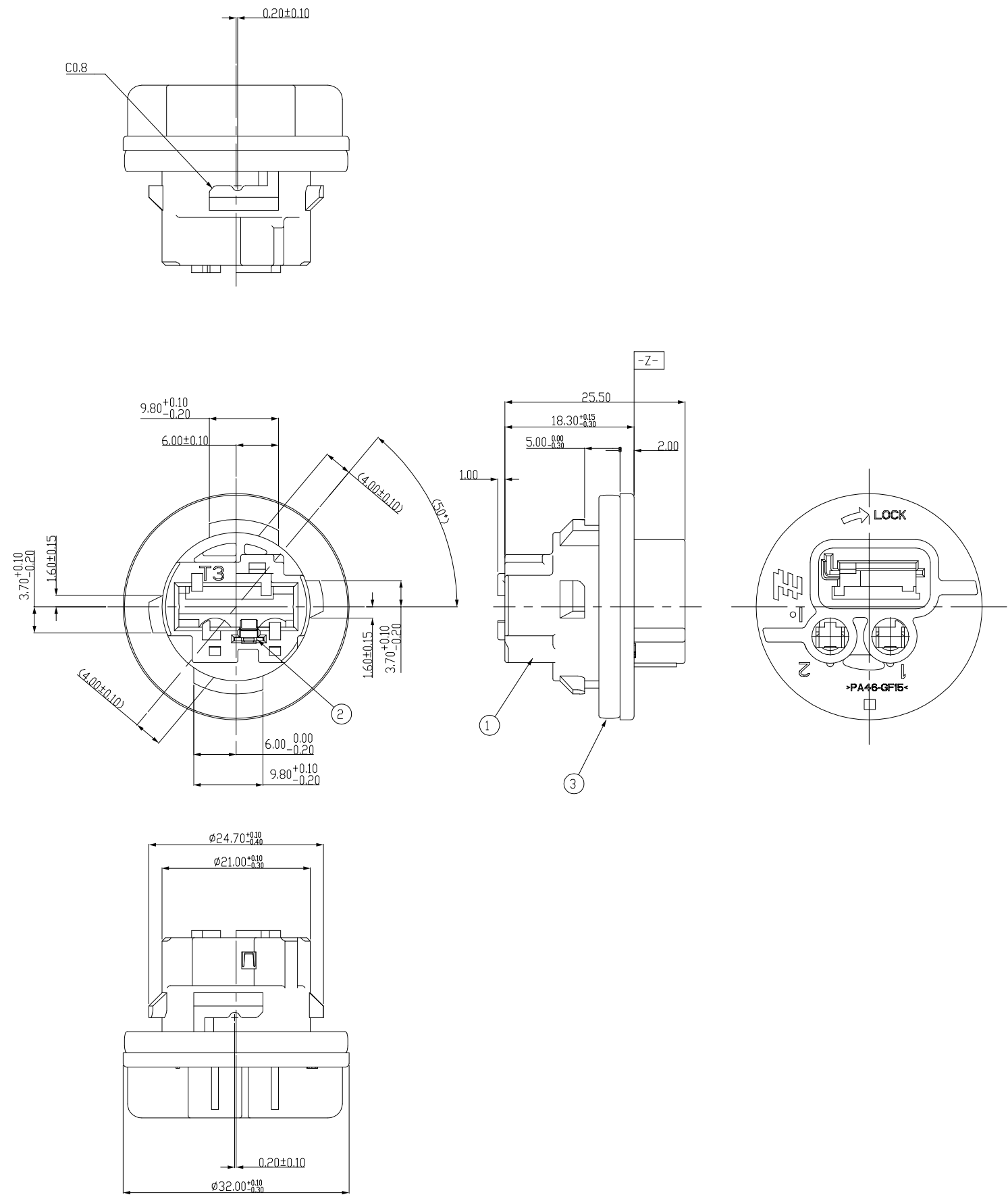


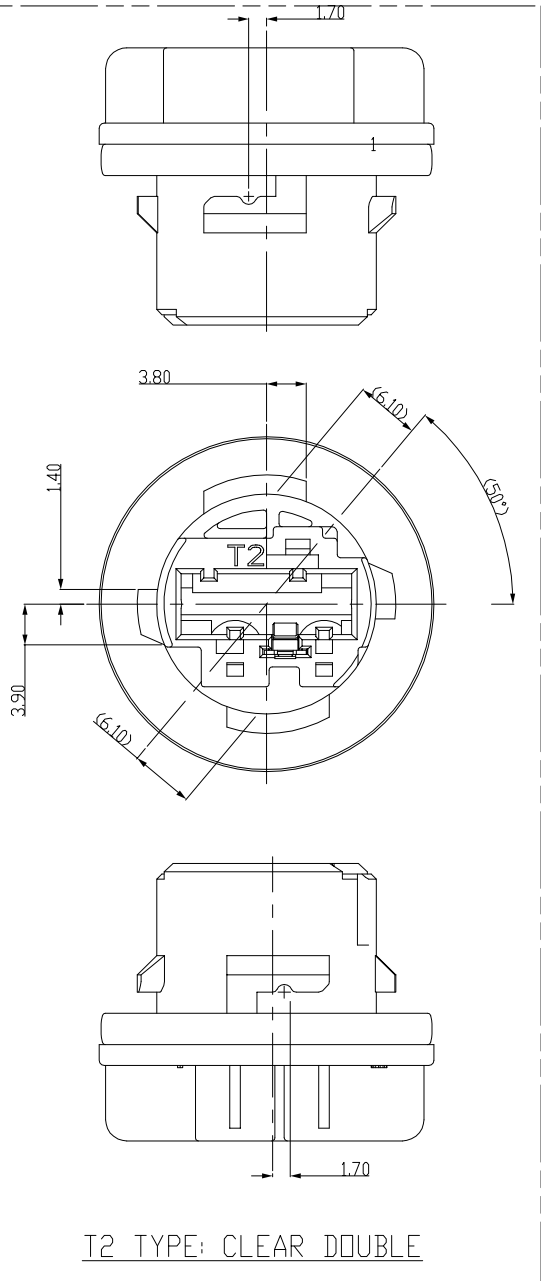
THIS DRAWING IS UNPUBLISHED. RELEASED FOR PUBLICATION
 © COPYRIGHT BY TYCO ELECTRONICS CORPORATION. ALL RIGHTS RESERVED.

LDC	DIST	REVISIONS					
		P	LTR	DESCRIPTION	DATE	DWN	APVD
	DS	B2		REVISED (ECR-15-005463)	08/APR'15	YH	HG
		B3		REVISED (ECR-16-006852)	11/MAR'16	YH	DG
		B4		REVISED (ECR-17-001895)	09/FEB'17	YH	DG

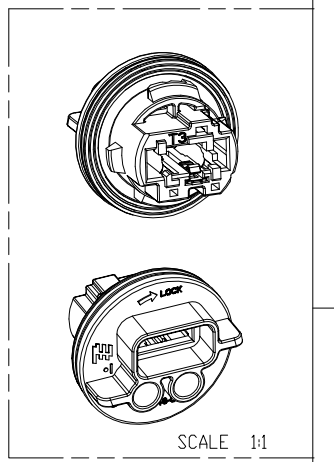
T3 TYPE: AMBER SINGLE



T1 TYPE: CLEAR SINGLE



T2 TYPE: CLEAR DOUBLE



DESCRIPTION	P/N	1	2	3	4	5	6
BULB ASSY(CLEAR DOUBLE-W21/5W)-BLACK	2-2005159-2						
BULB ASSY(CLEAR DOUBLE-W21/5W)-NATURAL	2-2005159-1						
BULB ASSY(CLEAR SINGLE-W21W)-BLACK	1-2005159-2						
BULB ASSY(CLEAR SINGLE-W21W)-NATURAL	1-2005159-1						
BULB ASSY(AMBER SINGLE-WY21W)-BLACK	0-2005159-2						
BULB ASSY(AMBER SINGLE-WY21W)-NATURAL	0-2005159-1						

NOTE
 1. GENERAL TOLERANCE: ±0.3, ±3°
 2. THIS BULB HOLDER ASSY IS USED WITH:
 RECEPTACLE TERMINAL TE P/N 2005163-1/2
 GROUND TERMINAL TE P/N 2005164-1

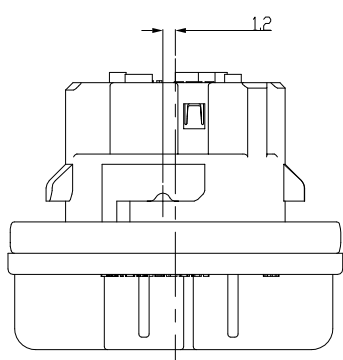
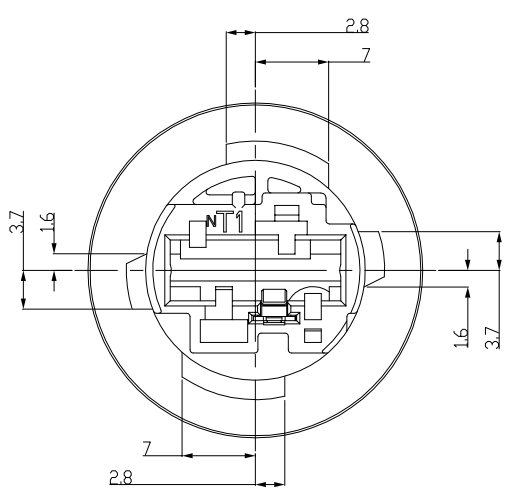
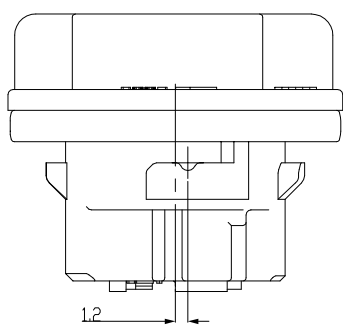
NO	BULB TYPE	COLOR	MATERIAL	DESCRIPTION	QTY
3	-	GREY	SILICONE	O-RING	1
2	-	-	SUS301	LOCK PLATE	1
1	T2	BLACK	PA46-GF15	BULB HSG(CLEAR DOUBLE)	1
1	T2	NATURAL	PA46-GF15	BULB HSG(CLEAR DOUBLE)	1
1	T1	BLACK	PA46-GF15	BULB HSG(CLEAR SINGLE)	1
1	T1	NATURAL	PA46-GF15	BULB HSG(CLEAR SINGLE)	1
1	T3	BLACK	PA46-GF15	BULB HSG(AMBER SINGLE)	1
1	T3	NATURAL	PA46-GF15	BULB HSG(AMBER SINGLE)	1

THIS DRAWING IS A CONTROLLED DOCUMENT FOR TYCO ELECTRONICS CORPORATION
 IT IS SUBJECT TO CHANGE AND THE CONTROLLING ENGINEERING ORGANIZATION
 SHOULD BE CONTACTED FOR THE LATEST REVISION.

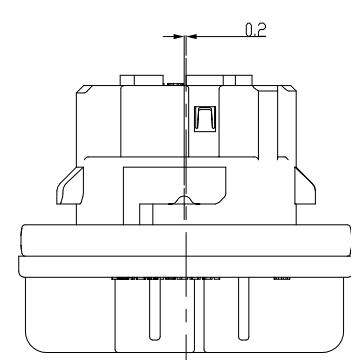
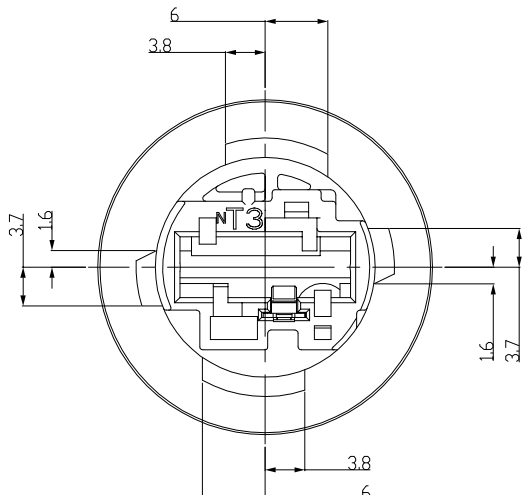
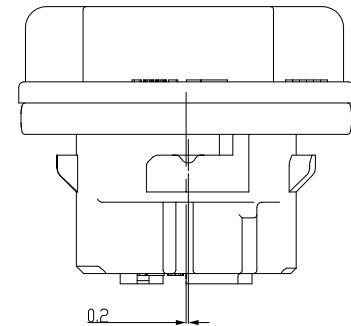
DIMENSIONS: MM	TOLERANCES UNLESS OTHERWISE SPECIFIED: 0 PLC ± 1 PLC ± 2 PLC ± 3 PLC ± 4 PLC ± ANGLES ±	DWN YH KIM CHK DG JEDONG APVD KT LIM PRODUCT SPEC	TE Connectivity NAME BULB HOLDER ASS'Y FOR T-20 (31MM TYPE)	
MATERIAL SEE TABLE	FINISH	APPLICATION SPEC	SIZE A2	CAGE CODE 00779
		WEIGHT	DRAWING NO C= 2005159	RESTRICTED TO
		CUSTOMER DRAWING	SCALE 2:1	SHEET 1 OF 2 REV B4

LDC		DIST		REVISIONS			
DS	-	P	LTR	DESCRIPTION	DATE	DWN	APVD

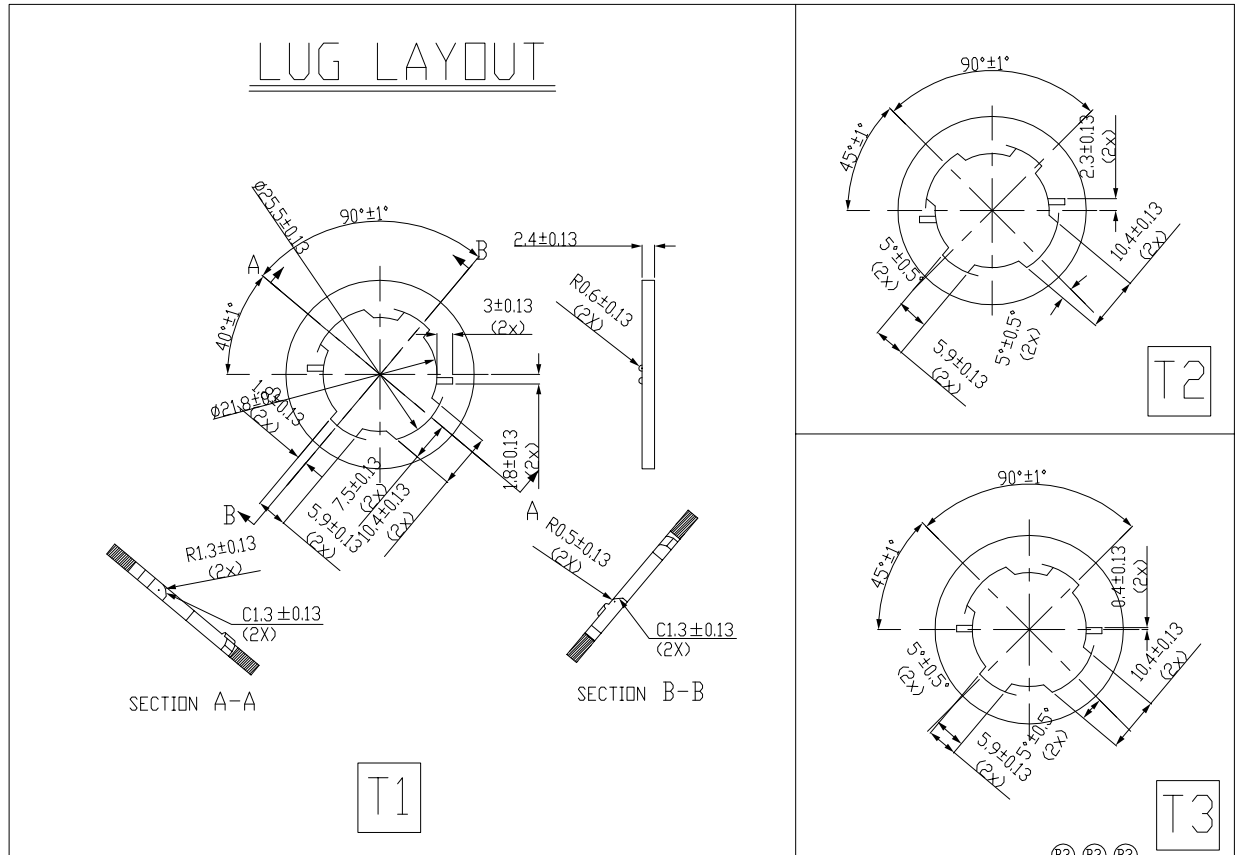
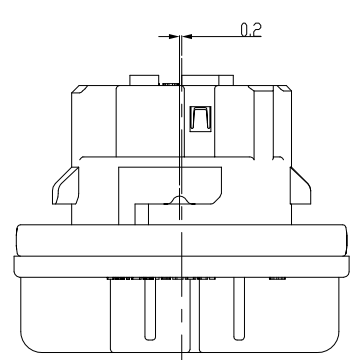
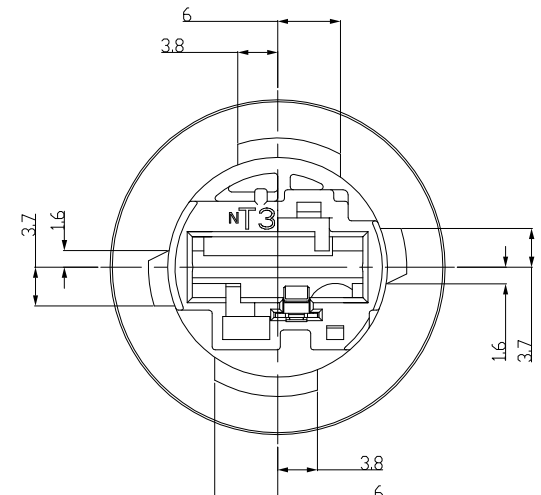
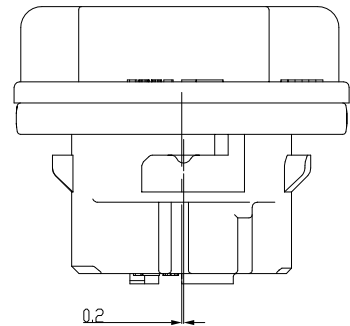
(B) NEW T1



(B) NEW T3



(B3) NEW T3 FOR MOBIS



NOTE
 1. MISSING DIMENTION : SEE 0-2005159-X

NO	SOCKET HOLE TYPE	COLOR	MATERIAL	DESCRIPTION	P/N									
					3-2005159-3	3-2005159-2	3-2005159-1	6-2005159-3	6-2005159-2	6-2005159-1	7-2005159-3	7-2005159-2	7-2005159-1	
3	-	GREY	SILICONE	O-RING	1	1	1	1	1	1	1	1	1	1
2	-	-	SUS301	LOCK PLATE	1	1	1	1	1	1	1	1	1	1
1	(B3)	GREY	PA46-GF15	BULB HSG(AMBER SINGLE)	1	-	-	1	-	-	-	-	-	-
1	NEW T3 FOR MOBIS	BLACK	PA46-GF15	BULB HSG(AMBER SINGLE)	-	1	-	-	1	-	-	-	-	-
1		NATURAL	PA46-GF15	BULB HSG(AMBER SINGLE)	-	-	1	-	-	1	-	-	-	-
1	NEW T3	GREY	PA46-GF15	BULB HSG(AMBER SINGLE)	-	-	-	1	-	-	-	-	-	-
1		BLACK	PA46-GF15	BULB HSG(AMBER SINGLE)	-	-	-	-	1	-	-	-	-	-
1		NATURAL	PA46-GF15	BULB HSG(AMBER SINGLE)	-	-	-	-	-	1	-	-	-	-
1	NEW T1	GREY	PA46-GF15	BULB HSG(CLEAR SINGLE)	-	-	-	-	-	-	1	-	-	-
1		BLACK	PA46-GF15	BULB HSG(CLEAR SINGLE)	-	-	-	-	-	-	-	1	-	-
1		NATURAL	PA46-GF15	BULB HSG(CLEAR SINGLE)	-	-	-	-	-	-	-	-	1	-

THIS DRAWING IS A CONTROLLED DOCUMENT.

DWN -
 CHK -
 APVD -
 PRODUCT SPEC -
 APPLICATION SPEC -
 WEIGHT -

TE Connectivity

BULB HOLDER ASS'Y FOR T20(31MM TYPE)

SIZE: A2 CAGE CODE: 00779 DRAWING NO: C=2005159

CUSTOMER DRAWING SCALE: 2:1 SHEET 2 OF 2 REV B4

单击下面可查看定价，库存，交付和生命周期等信息

[>>TE Connectivity\(泰科\)](#)