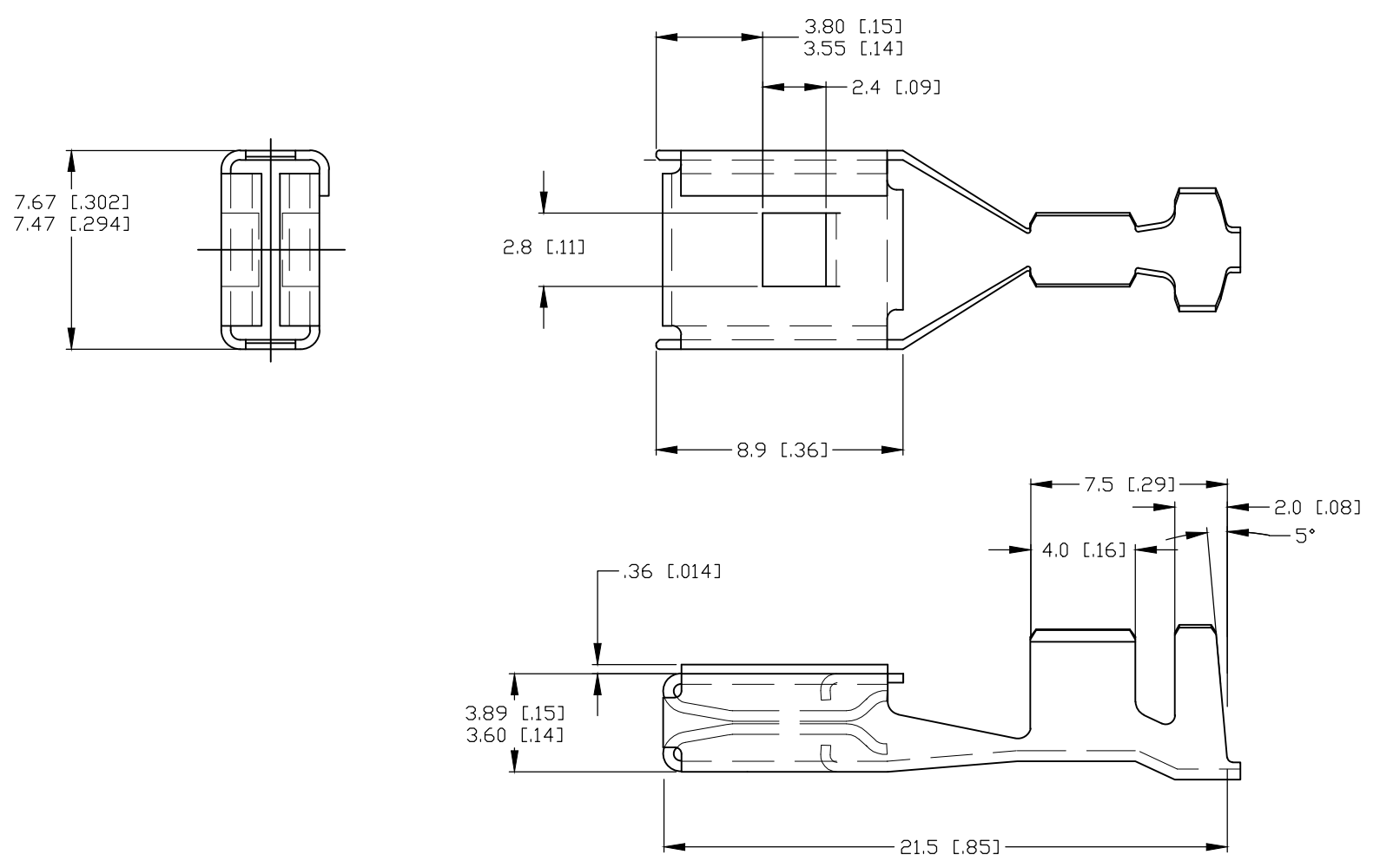


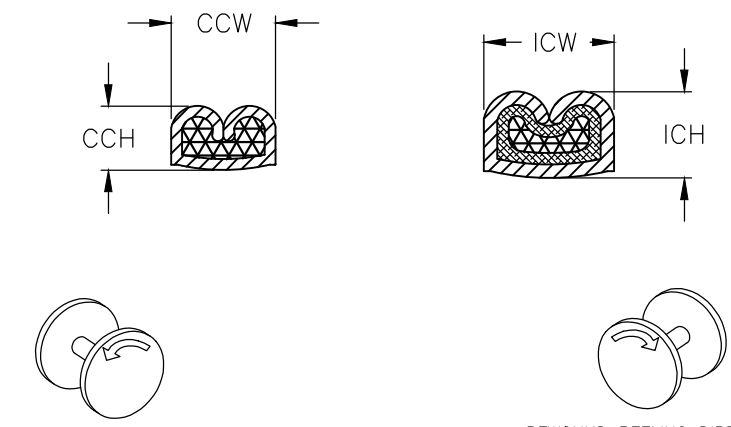
THIS DRAWING IS UNPUBLISHED. RELEASED FOR PUBLICATION
 © COPYRIGHT - By - ALL RIGHTS RESERVED.

LOC	DIST	REVISIONS					
		P	LTR	DESCRIPTION	DATE	DWN	APVD
HK	00	B		REVISED PER ECO-15-003781	12MAR2015	DD	WW
		B1		REVISED PER ECO-20-012739	30SEP2020	AP	WW



GRIP CODE	WIRE SIZE (AWG)	CCW CONDUCTOR CRIMP WIDTH (TOL ±0.10)	CCH CONDUCTOR CRIMP HEIGHT (TOL ±0.05)	ICW INSULATION CRIMP WIDTH (THIN WALL) (TOL ±0.10)	ICH INSULATION CRIMP HEIGHT (THIN WALL) (TOL ±0.10)	ICW INSULATION CRIMP WIDTH (STD WALL) (TOL ±0.10)	ICH INSULATION CRIMP HEIGHT (STD WALL) (TOL ±0.10)
22	24	1.85	1.19	2.06	1.65	2.06	1.65
	22	1.85	1.30	2.06	1.80	2.06	1.80
19	20	2.06	1.40	3.05	2.18	3.05	2.28
	18	2.06	1.50	3.05	2.28	3.05	2.44
18	16	2.64	1.70	3.71	2.90		
	14	2.64	1.85	3.71	3.10		
14	18+22	3.05	1.70	5.69			
	20+20	3.05	1.50	5.69			
	18+20	3.05	1.65	5.69			
	18+18	3.05	1.70	5.69			
	16+20	3.05	1.70	5.69			
11	16+18	3.05	1.8	5.69			
	14+20	3.86		6.60			
	14+18	3.86		6.60			
	14+16	3.86		6.60			
10	12+20	3.86	1.72	6.60			
	12+18	3.86	1.80	6.60			
	12	3.45	2.06	5.16	3.80		
	10	3.45	2.21	5.16	4.10		

RECOMMENDED CRIMP DIMENSIONS



TERMINALS ARE TO BE REELED WITH THE CRIMP GRIPS UP AND TO THE NEAR SIDE. UNWIND DIRECTION FROM RIGHT TO LEFT

TERMINALS ARE TO BE REELED WITH THE CRIMP GRIPS UP AND TO THE NEAR SIDE. UNWIND DIRECTION FROM LEFT TO RIGHT

TE CONNECTIVITY REWOUND P/N	TE CONNECTIVITY P/N	GRIP CODE	INSERTION FORCE	
-	2-1438238-3	22	LOW	OBSOLETE
-	2-1438238-2	19	LOW	OBSOLETE
-	2-1438238-0	18	LOW	
-	1438238-8	14	LOW	
-	2-1438238-1	13	LOW	OBSOLETE
-	1-1438238-2	11	LOW	
1-1438238-0	1438238-9	10	LOW	
-	1-1438238-9	19	LOW	
-	1-1438238-1	18	LOW	
-	1438238-3	14	LOW	
-	1438238-4	13	LOW	
-	1438238-5	11	LOW	OBSOLETE
-	1438238-6	10	LOW	
-	1-1438238-3	22	HIGH	OBSOLETE
-	1-1438238-5	19	HIGH	
-	1-1438238-8	18	HIGH	
-	1438238-2	14	HIGH	
-	1-1438238-7	13	HIGH	
-	1-1438238-6	11	HIGH	
-	1-1438238-4	10	HIGH	

THIS DRAWING IS A CONTROLLED DOCUMENT.

DIMENSIONS: mm	TOLERANCES UNLESS OTHERWISE SPECIFIED:	DWN JR BUSSARD 09 MAY 2003	 TE Connectivity
	0 PLC ± - 1 PLC ± - 2 PLC ± .25 3 PLC ± - 4 PLC ± - ANGLES ± 2°	CHK DM REVAK 09 MAY 2003	
		APVD DM REVAK 09 MAY 2003	
MATERIAL	FINISH	NAME	

PRODUCT SPEC: -
 APPLICATION SPEC: -
 WEIGHT: -

SIZE: A3 CAGE CODE: 00779 DRAWING NO: C-1438238 RESTRICTED TO: -

CUSTOMER DRAWING SCALE: 4:1 SHEET: 1 OF 1 REV: B1

单击下面可查看定价，库存，交付和生命周期等信息

[>>TE Connectivity\(泰科\)](#)