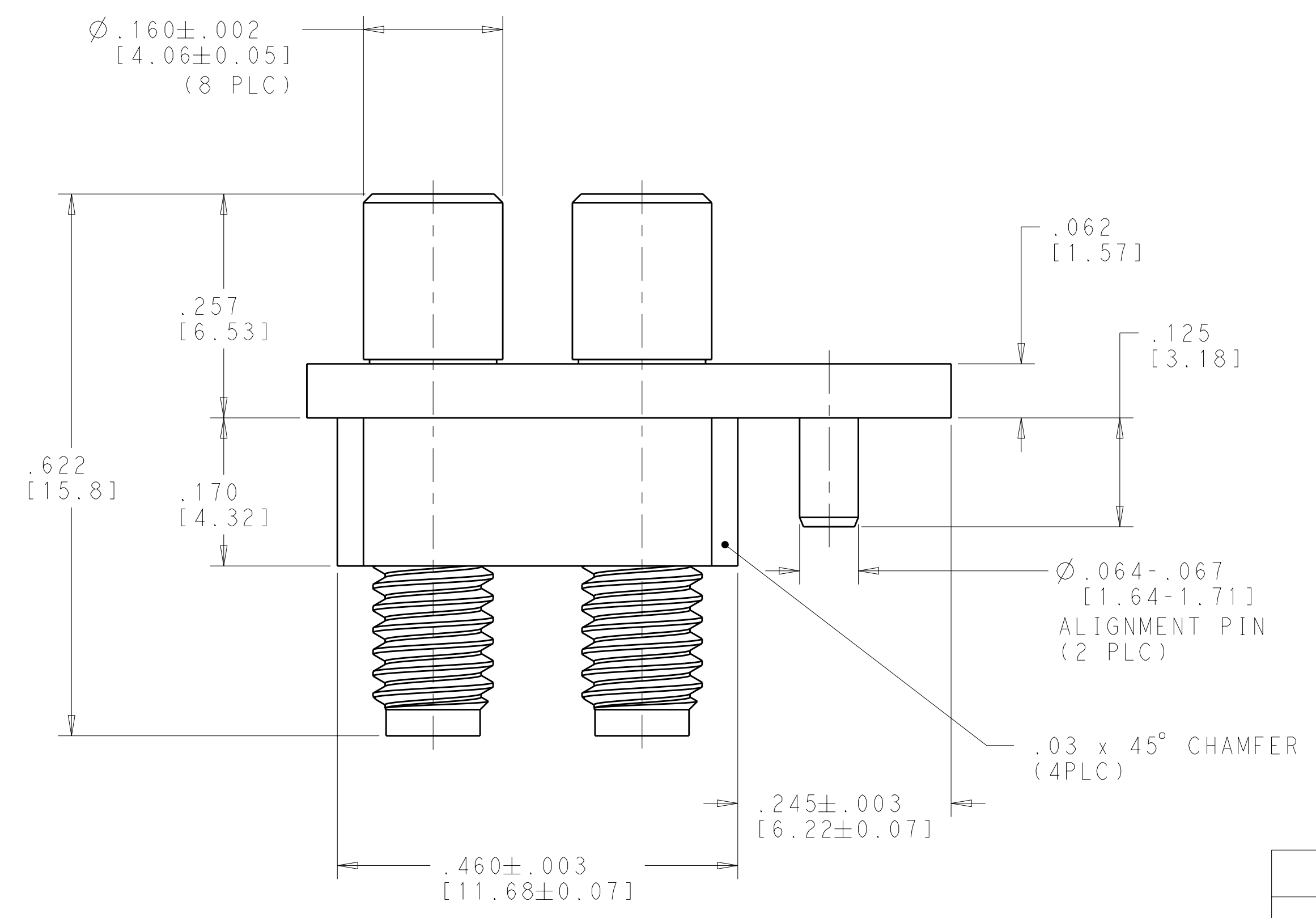
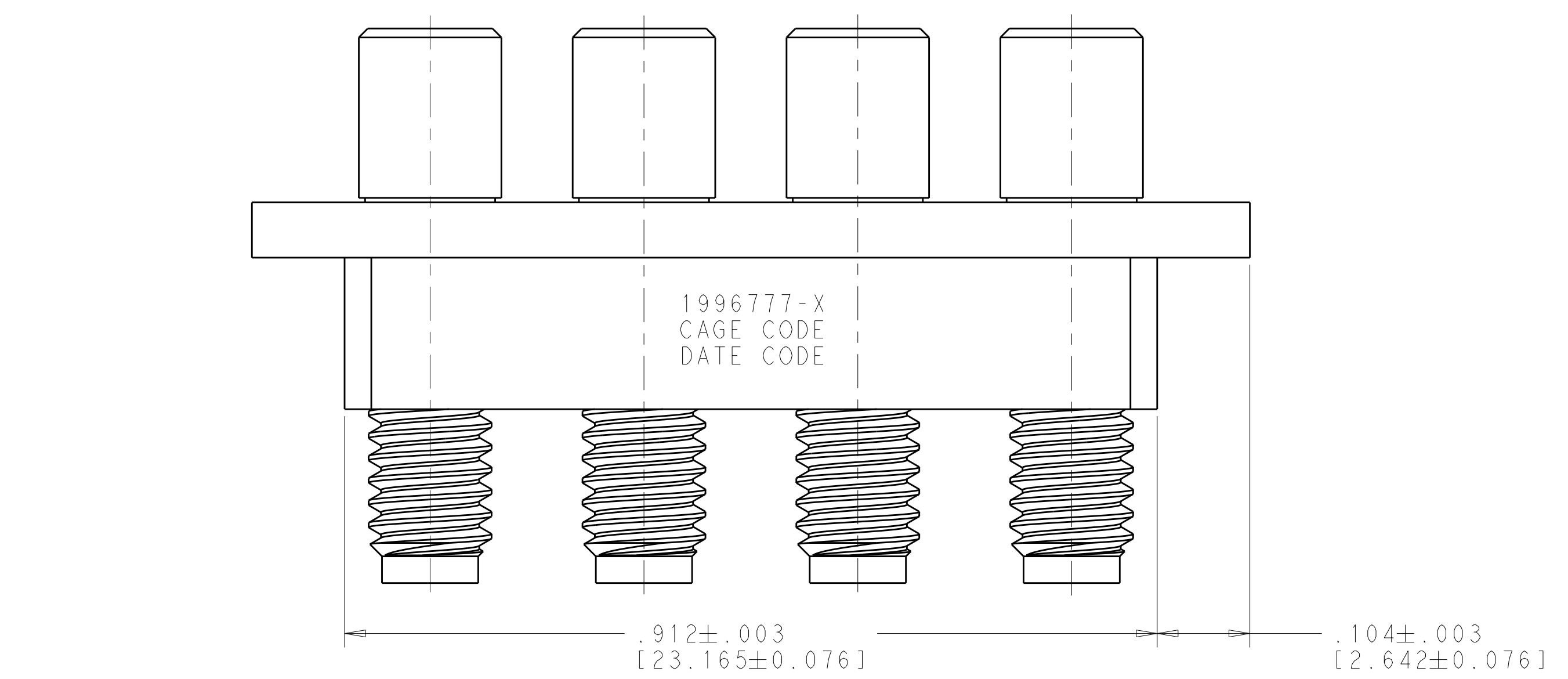
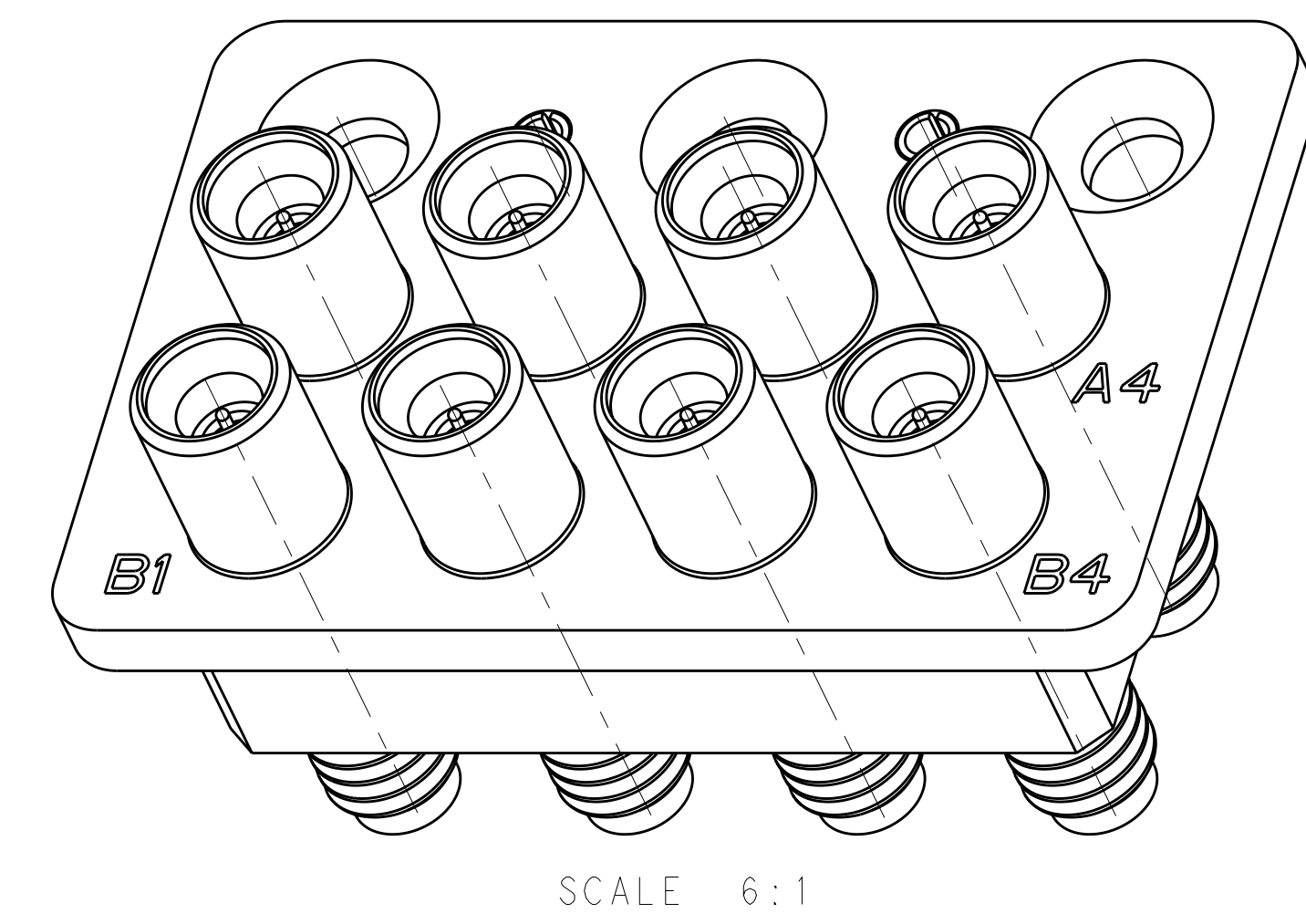
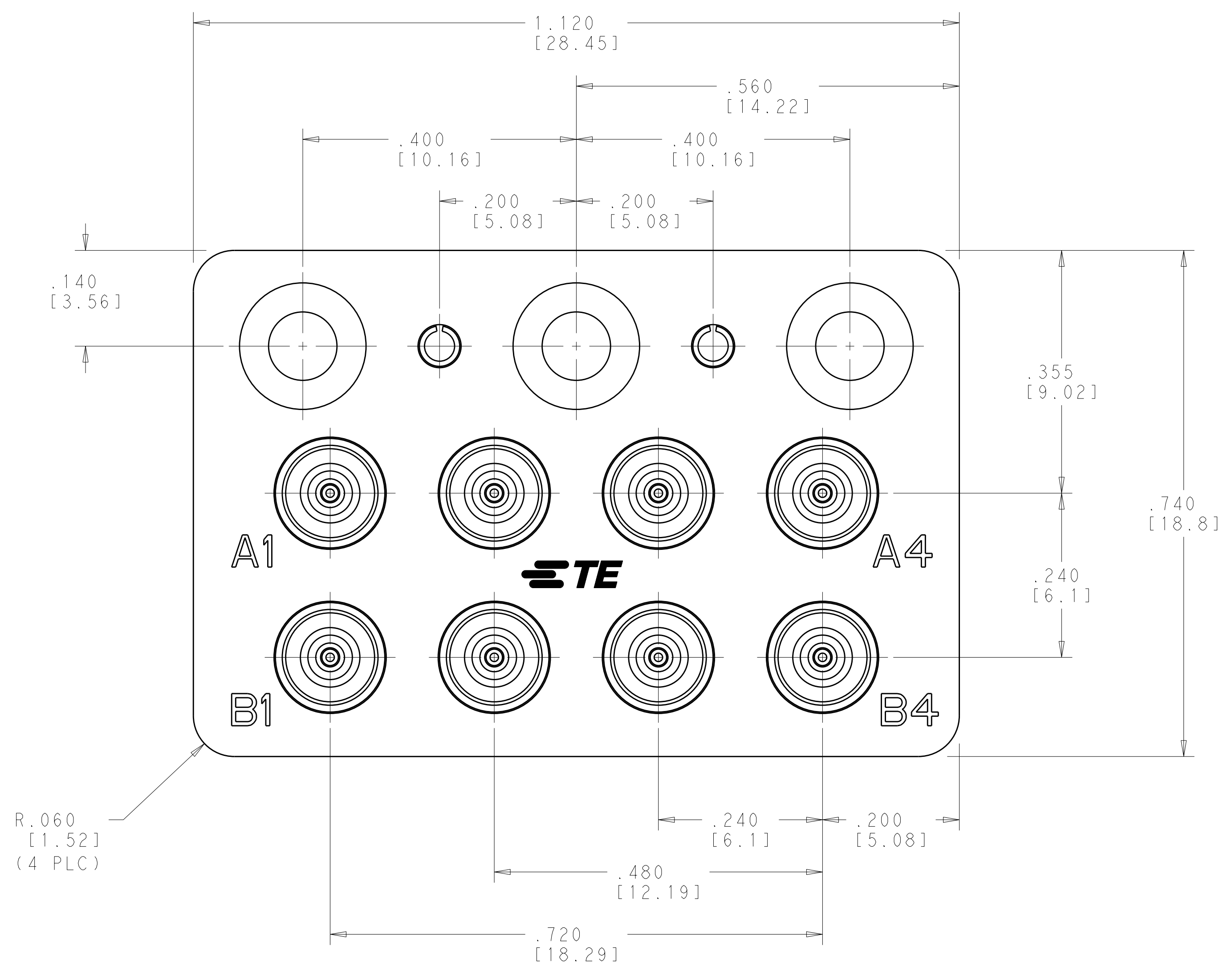


REV	DATE	BY	CHK	APPV	DESCRIPTION
E	12SEP2011	RJM3	STM		REV PER RTS-530595-1
F	12SEP2011	RJM3	BM		REL. PER ECO-11-018432
C	01JUNE2010	STM	STM		ADDED DASH 2
D	24MAR2011	RJM3	STM		PART MARKING AND FORMAT UPDATED



- ⚠ MATERIAL: SMOOTHBORE SMPM CONNECTOR BODY & CENTER CONTACT - BERYLIUM COPPER, ALLOY UNS C17300 CONDITION TD04, PER ASTM B196.
INSULATORS - TEFLON (PTFE) ROD, PER ASTM D 1710.
MODULE BODY & OSMM CONNECTORS - STAINLESS STEEL, PER UNS S30300
SLOTTED SPRIN PIN - NICKEL STAINLESS STEEL
- ⚠ FINISH: MODULE BODY, CONNECTOR BODIES & CENTER CONTACT - GOLD PLATE OVER NICKEL
SLOTTED SPRING PIN - PASSIVATED
- ⚠ FINISH: MODULE BODY, OSMM CONNECTOR BODY & SLOTTED SPRING PIN - PASSIVATED
SMOOTHBORE SMPM CONNECTOR BODY & CENTER CONTACT - GOLD PLATE OVER NICKEL

③	1996777-2
②	1996777-1
SURFACE FINISH	PART NUMBER

THIS DRAWING IS A CONTROLLED DOCUMENT.

DIMENSIONS: INCHES	TOLERANCES UNLESS OTHERWISE SPECIFIED:	0 PLC ±.1	1 PLC ±.01	2 PLC ±.001	3 PLC ±.0005	ANGLES ±.0005	FINISH
SEE TABLE							

OWN	RJM3	04FEB2011	NAME	8 POSITION P.C.B. MOUNT RF MODULE, OSMM CONTACTS
CHK	STM	04FEB2011	SIZE	VITA 67 BACKPLANE - C'SINK MTG. HOLES
APPV	STM	04FEB2011	WEIGHT	A100779C=1996777
PRODUCT SPEC			CUSTOMER DRAWING	SCALE 8:1 SHEET 1 OF 1 REV F

STE TE Connectivity

单击下面可查看定价，库存，交付和生命周期等信息

[>>TE Connectivity\(泰科\)](#)