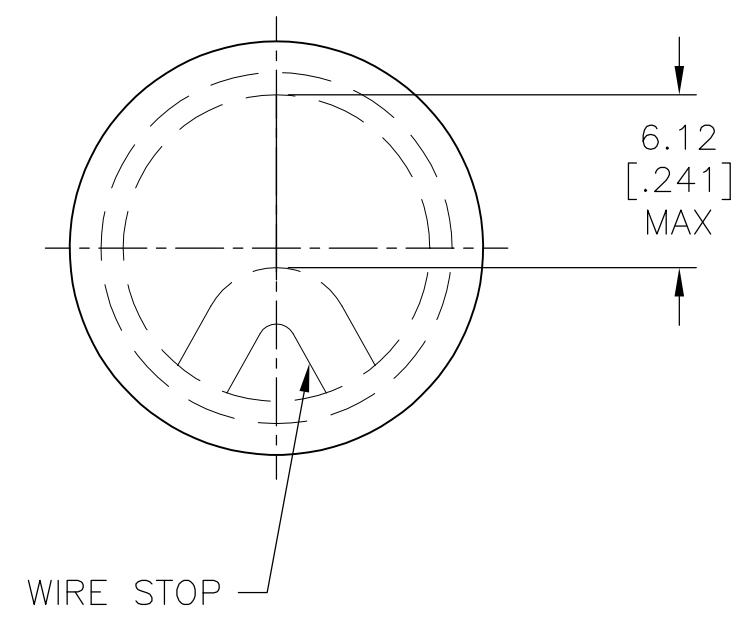
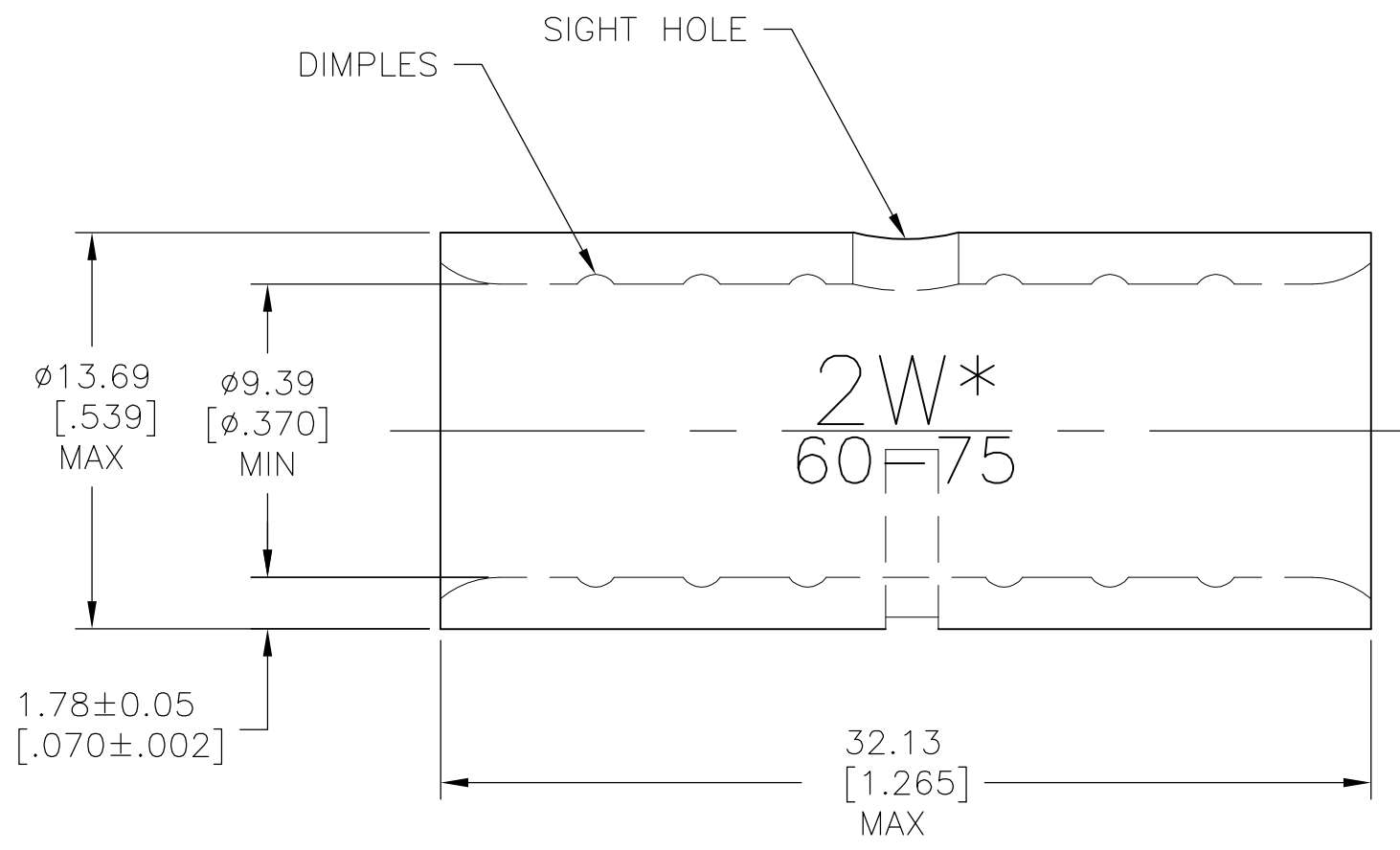


THIS DRAWING IS UNPUBLISHED. RELEASED FOR PUBLICATION  
 © COPYRIGHT - By - ALL RIGHTS RESERVED.

LOC	DIST	REVISIONS					
		P	LTR	DESCRIPTION	DATE	DWN	APVD
G	-		B1	REDRAWN PER ECO-12-018518	24OCT12	KH	DR

- 1 MATERIAL: COPPER PER ASTM B152
- 2 FINISH: TIN PLATE PER ASTM B545



<b>AMP INCORPORATED CUSTOMER SERVICE SYSTEMS</b>	
FOR ADDITIONAL PRODUCT INFORMATION OR COPIES OF DRAWINGS AND TECHNICAL DOCUMENTS	PRODUCT INFORMATION CENTER 1-800-522-6752
FOR APPLICATION TOOLING INFORMATION	TOOLING ASSISTANCE CENTER 1-800-722-1111
FOR ORDER ENTRY	1-800-526-5142

MAX RECOMMENDED OPERATING TEMPERATURE: 170°C [338°F]
VOLTAGE RATING: N/A
WIRE: 26.7-42.4mm <sup>2</sup> [52,600-83,700]CIR MILLS SOLID OR STRANDED

THIS DRAWING IS A CONTROLLED DOCUMENT.	
DIMENSIONS: mm [INCHES]	TOLERANCES UNLESS OTHERWISE SPECIFIED:
	0 PLC ± - 1 PLC ± - 2 PLC ± - 3 PLC ± - 4 PLC ± - ANGLES ± -
MATERIAL	FINISH
1	2

DWN	24OCT12
KIRAN HOLAL	
CHK	24OCT12
ROHDE DANIEL	
APVD	24OCT12
ROHDE DANIEL	
PRODUCT SPEC	
APPLICATION SPEC	
WEIGHT	-

TE Connectivity			
NAME WIRE SPLICE, SOLISTRAND-BUTT WIRE SIZE-2 AWG			
SIZE	CAGE CODE	DRAWING NO	RESTRICTED TO
A3	00779	C-322246	-
CUSTOMER DRAWING		SCALE 1:1	SHEET 1 OF 1 REV B1

单击下面可查看定价，库存，交付和生命周期等信息

[>>TE Connectivity\(泰科\)](#)