

THIS DRAWING IS UNPUBLISHED.

RELEASED FOR PUBLICATION

LOC DIST

REVISIONS

© COPYRIGHT - By -

ALL RIGHTS RESERVED.

0

P	LTR	DESCRIPTION	DATE	DWN	APVD
	D2	DRAWING VIEW UPDATE OF THE CORRECT ANGLED PCB MOUNT	26MAY2015	NV	PS

SPECIFICATIONS:

D-SUB CONNECTOR:

MATERIALS:

HOUSING: THERMOPLASTIC POLYESTER, 94V-0.  
CONTACTS: COPPER ALLOY, GOLD OVER NICKEL

MECHANICAL:

WIRE RANGE: 26-30 AWG SOLID, 28 AWG STRANDED


TERMINAL BLOCK:

MATERIALS:

HOUSING: THERMOPLASTIC NYLON, BLACK, 94V-0.  
TERMINALS: COPPER ALLOY, BRIGHT ACID-TIN OVER  
COPPER PLATED.

SCREWS: 3M, BRASS, NICKEL PLATED.

ELECTRICAL:

RATING: 10A, 300V, 

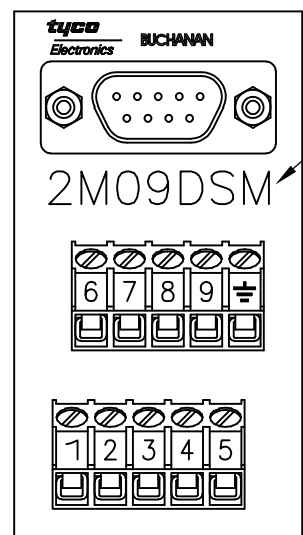
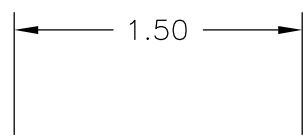
MECHANICAL:

WIRE RANGE: 14-22 AWG.

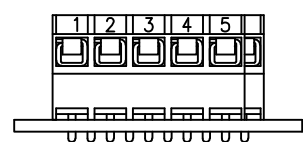
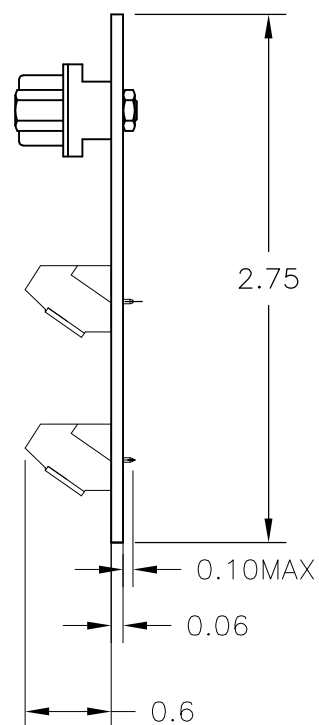
MOUNTING:


MATERIALS: RIGID PVC, GRAY.  
MOUNTING: 2TK2 AND 2TK2D SERIES SNAPTRACK,  
(SOLD SEPARATELY).


 CONTAINS NO TIN-LEAD PLATING.



CAT. NO.



	2M09DSML	1546693-1
	2M09DSM	1437684-3
	CATALOG NO.	PART NUMBER

THIS DRAWING IS A CONTROLLED DOCUMENT.		DWN S SCHLEGEL 08JUL02	 TE Connectivity		
DIMENSIONS: INCHES		CHK H. WAKEEM 7/8/02			
TOLERANCES UNLESS OTHERWISE SPECIFIED:		APVD H. WAKEEM 7/8/02	NAME 2M09DSM ASSEMBLY		
0 PLC ± -		PRODUCT SPEC	-		
1 PLC ± .1		APPLICATION SPEC	-		
2 PLC ± .01		WEIGHT	SIZE	CAGE CODE	DRAWING NO
3 PLC ± -			A3	00779	C-1437684-3
4 PLC ± -			RESTRICTED TO		
ANGLES ± -			-		
MATERIAL			SCALE		
FINISH			NTS		
			SHEET		REV
			1 OF 1		D2
			CUSTOMER DRAWING		

单击下面可查看定价，库存，交付和生命周期等信息

[>>TE Connectivity\(泰科\)](#)