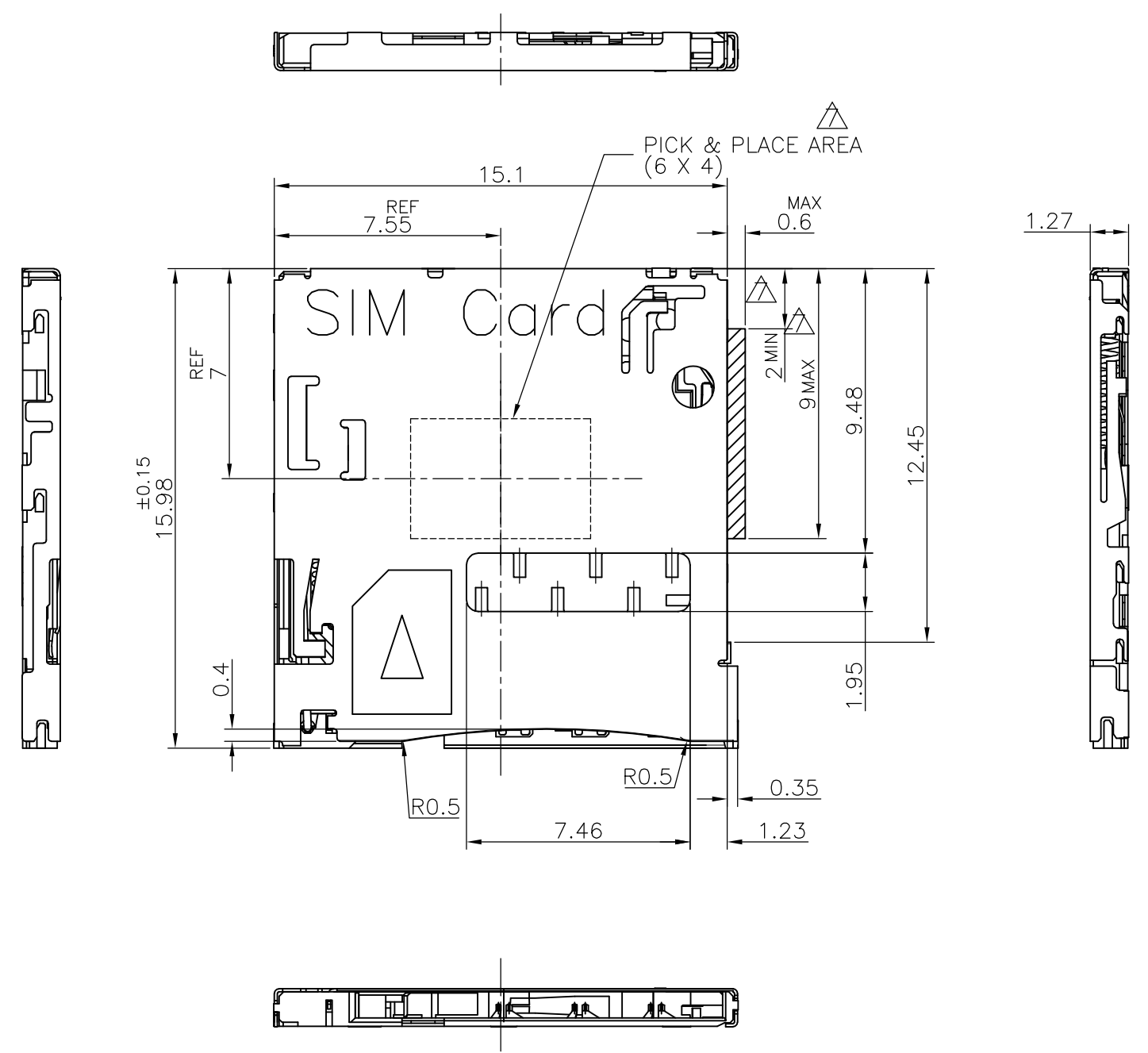


THIS DRAWING IS UNPUBLISHED. RELEASED FOR PUBLICATION JUL ,2013.  
 © COPYRIGHT 2013 By Tyco Electronics Japan G.K. ALL RIGHTS RESERVED.

LOC	DIST	REVISIONS			
P	LTR	DESCRIPTION	DATE	DWN	APVD
J	/	B	REVISED	18NOV2015	M.T K.K



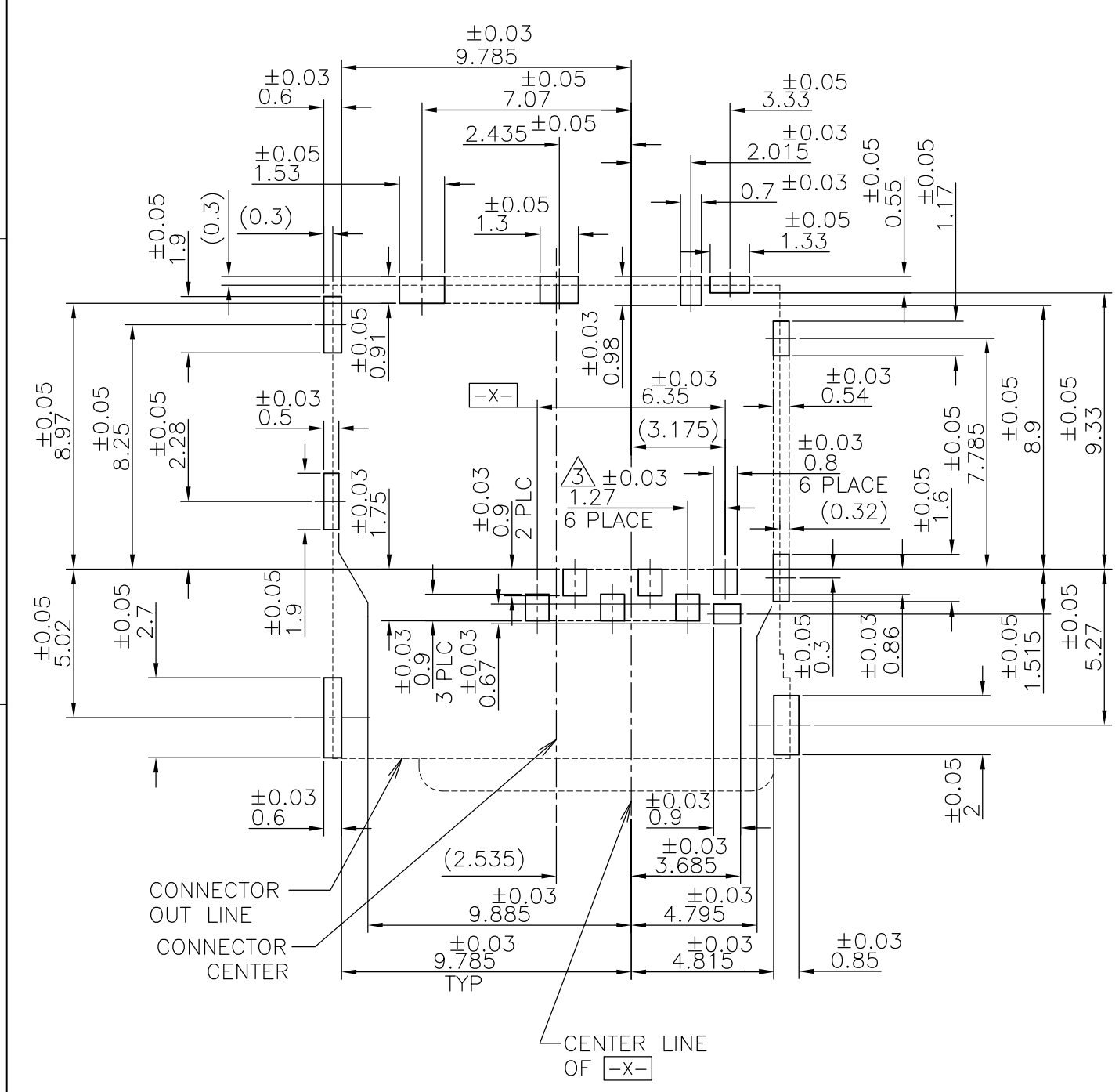
- 1. MATERIAL HOUSING,SLIDER : THERMOPLASTIC RESIN  
UL94V-0, COLOR;BLACK  
CONTACT : COPPER ALLOY  
SHELL : STAINLESS STEEL  
COIL : SWP  
CAM ROD : STAINLESS STEEL
- △ FINISH CONTACT : Au PL AT CONTACT AREA  
Au PL AT SOLDERING AREA  
SHELL : Au PL AT SOLDERING AND SWITCH AREA
- △ NON-CUMULATIVE TOLERANCE
- 4. COPLANARITY IS 0.1MAX.
- △ CIRCUIT DRAWING OF SWITCH.
- 6. OVERALL TOLERANCE:±0.1
- △ SWITCH MOVING AREA.

△	2229333-2
FINISH	PART NUMBER

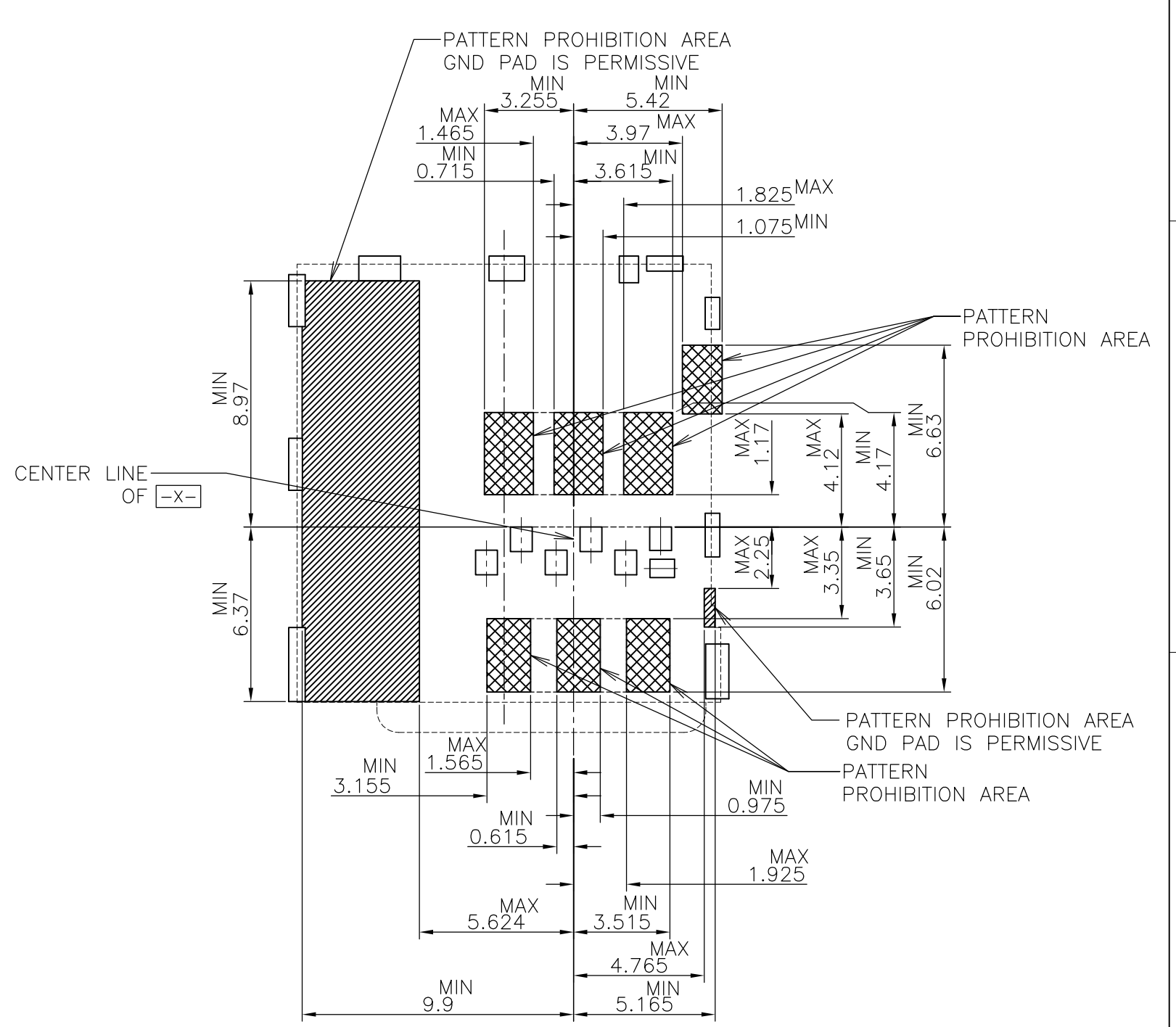
THIS DRAWING IS A CONTROLLED DOCUMENT.		DWN J.TSUJI 12JUL2013	TE Connectivity		
DIMENSIONS: mm		CHK K.KOBAYASHI 12JUL2013			
TOLERANCES UNLESS OTHERWISE SPECIFIED:		APVD K.KOBAYASHI 12JUL2013	MICRO SIM CONNECTOR PUSH-PUSH SMT TYPE		
0 PLC ± -		PRODUCT SPEC	108-78956		
1 PLC ± -		APPLICATION SPEC	-		
2 PLC ± -		SIZE	CAGE CODE	DRAWING NO	RESTRICTED TO
3 PLC ± -		A3	00779	C-2229333	-
4 PLC ± -		CUSTOMER DRAWING			
ANGLES ± -		SCALE	SHEET	REV	
FINISH		5:1	1 OF 5	B	

THIS DRAWING IS UNPUBLISHED. RELEASED FOR PUBLICATION JUL ,2013.  
 © COPYRIGHT 2013 By Tyco Electronics Japan G.K. ALL RIGHTS RESERVED.

LOC	DIST	REVISIONS			
P	LTR	DESCRIPTION	DATE	DWN	APVD
J	/	SEE SHEET 1	-	-	-



PCB LAYOUT(REFERENCE)  
(VIEWED FROM CONNECTOR MOUNT SIDE)



THIS DRAWING IS A CONTROLLED DOCUMENT.		DWN	-		
DIMENSIONS: mm		CHK	-		
TOLERANCES UNLESS OTHERWISE SPECIFIED:		APVD	-		
0 PLC ± -		PRODUCT SPEC	-		
1 PLC ± -		APPLICATION SPEC	-		
2 PLC ± -		WEIGHT	-		
3 PLC ± -					
4 PLC ± -		NAME: MICRO SIM CONNECTOR PUSH-PUSH SMT TYPE			
ANGLES ± -		SIZE	CAGE CODE	DRAWING NO	RESTRICTED TO
FINISH ± -		A3	00779	C-2229333	-
MATERIAL		CUSTOMER DRAWING		SCALE	SHEET
				5:1	2 OF 5
				REV	B

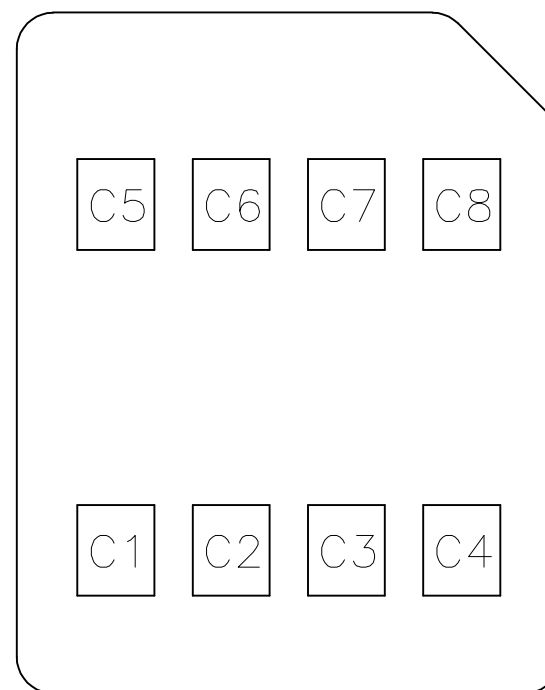
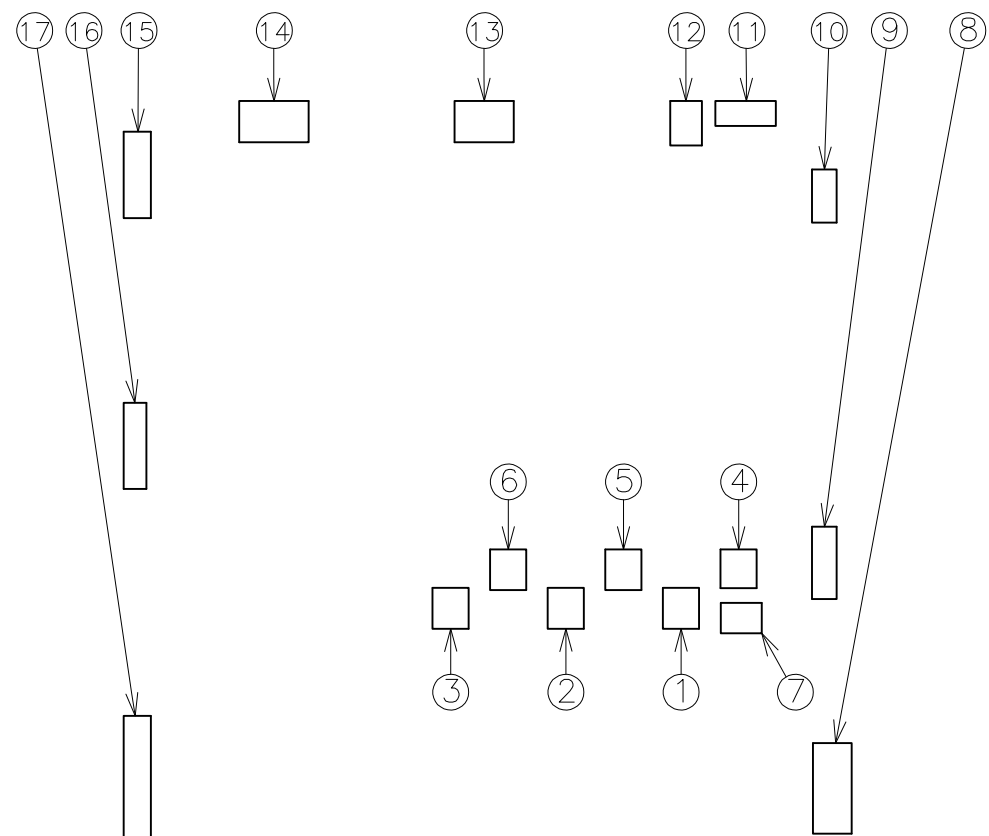
P	LTR	DESCRIPTION	DATE	DWN	APVD
-	-	SEE SHEET 1	-	-	-

### Connector Pin Assignment

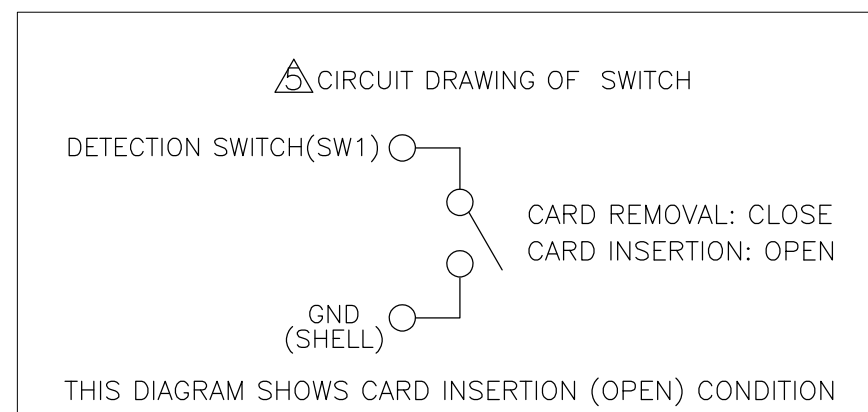
No.	Pin Name	Description
①	C1	Vcc of SIM
②	C2	RST of SIM
③	C3	CLK of SIM
④	C5	GND of SIM
⑤	C6	Vpp of SIM
⑥	C7	I/O of SIM
⑦	SW	Detection Switch
⑧~⑰	GND	Shell Ground

### SIM Card Pin Assignment

Pin No.	Name
C1	Vcc
C2	RST
C3	CLK
C4	Reserved
C5	GND
C6	Vpp
C7	I/O
C8	Reserved



SIM CARD PAD LAYOUT



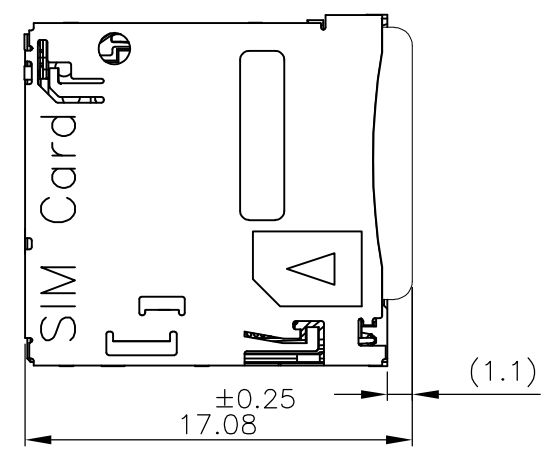
PCB LAYOUT(REFERENCE)  
(VIEWED FROM CONNECTOR MOUNT SIDE)

THIS DRAWING IS A CONTROLLED DOCUMENT.		DWN	-		
DIMENSIONS: mm		CHK	-		
TOLERANCES UNLESS OTHERWISE SPECIFIED:		APVD	-		
0 PLC ± -		PRODUCT SPEC	-		
1 PLC ± -		APPLICATION SPEC	-		
2 PLC ± -		WEIGHT	-		
3 PLC ± -		TE Connectivity			
4 PLC ± -		NAME			
ANGLES ± -		MICRO SIM CONNECTOR PUSH-PUSH SMT TYPE			
FINISH		SIZE	CAGE CODE	DRAWING NO	RESTRICTED TO
MATERIAL		A3	00779	C-2229333	-
		CUSTOMER DRAWING		SCALE	REV
				NTS	B
		SHEET		3 OF 5	

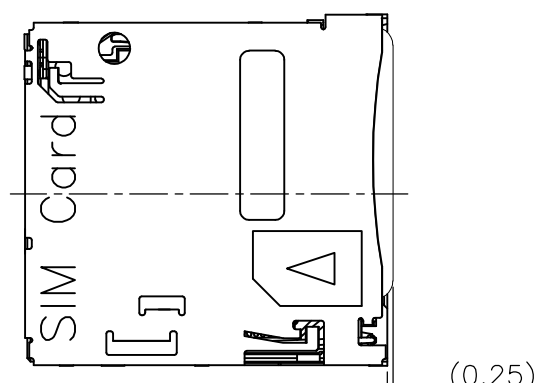
THIS DRAWING IS UNPUBLISHED. RELEASED FOR PUBLICATION JUL ,2013.  
 © COPYRIGHT 2013 By Tyco Electronics Japan G.K. ALL RIGHTS RESERVED.

LOC	DIST	REVISIONS			
P	LTR	DESCRIPTION	DATE	DWN	APVD
J	/	SEE SHEET 1	-	-	-

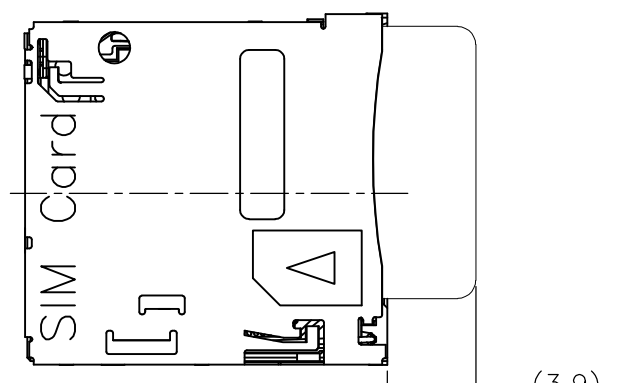
THERE IS NO MICRO SIM CARD LOCK IN THIS CONNECTOR.  
 CARD STOPPER AS SHOWN BELOW MUST BE NECESSARY.



MATING

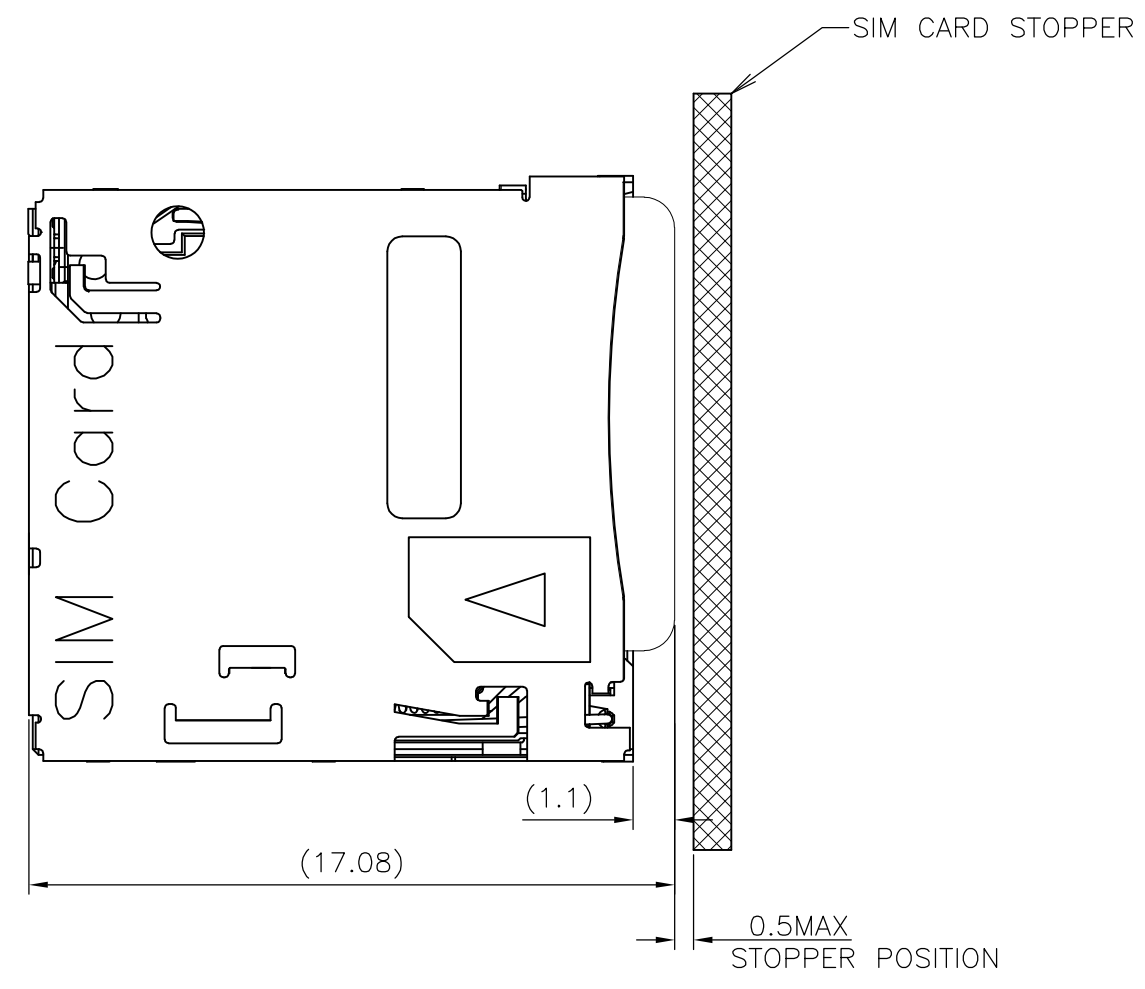


PUSH



EJECT

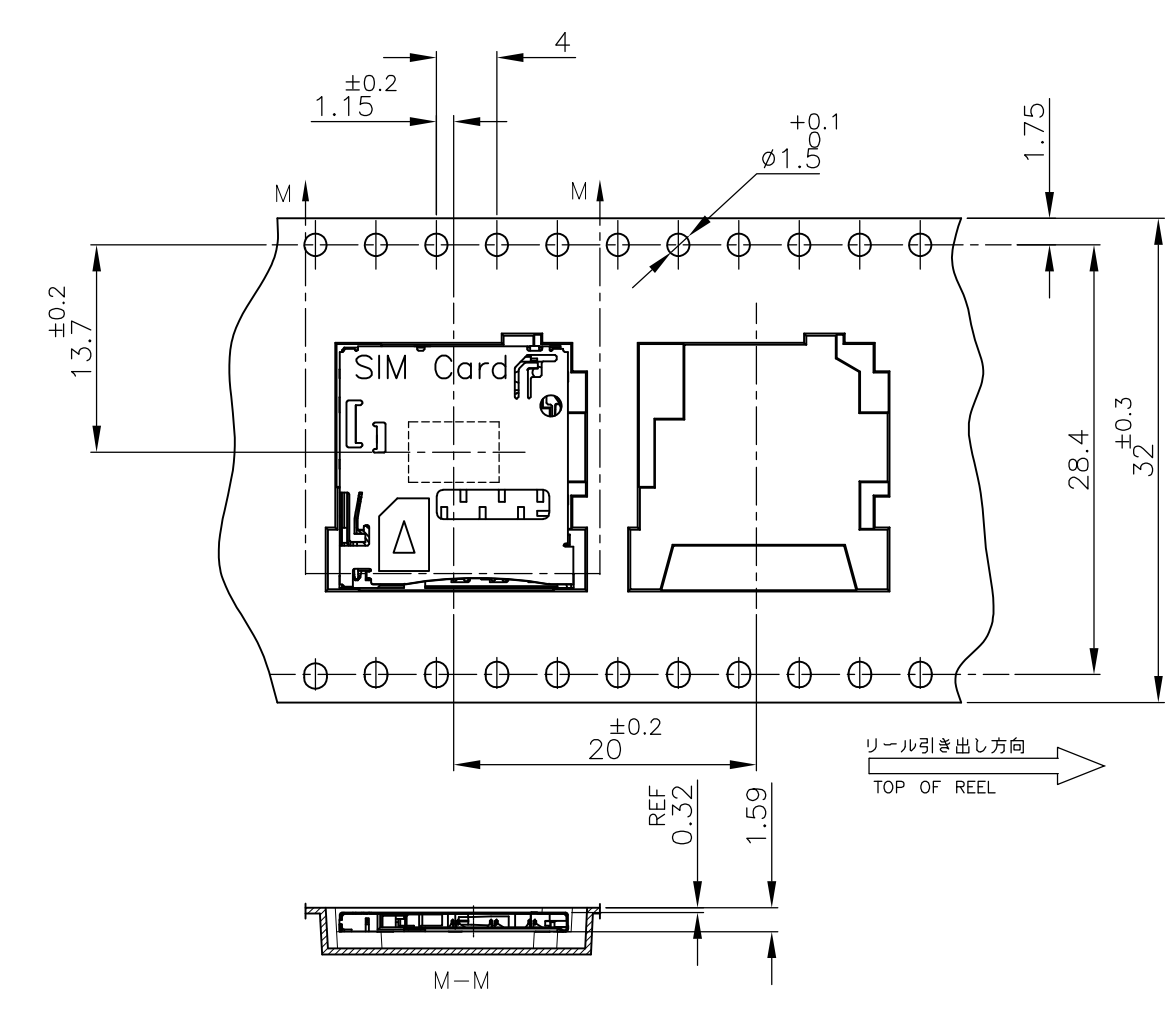
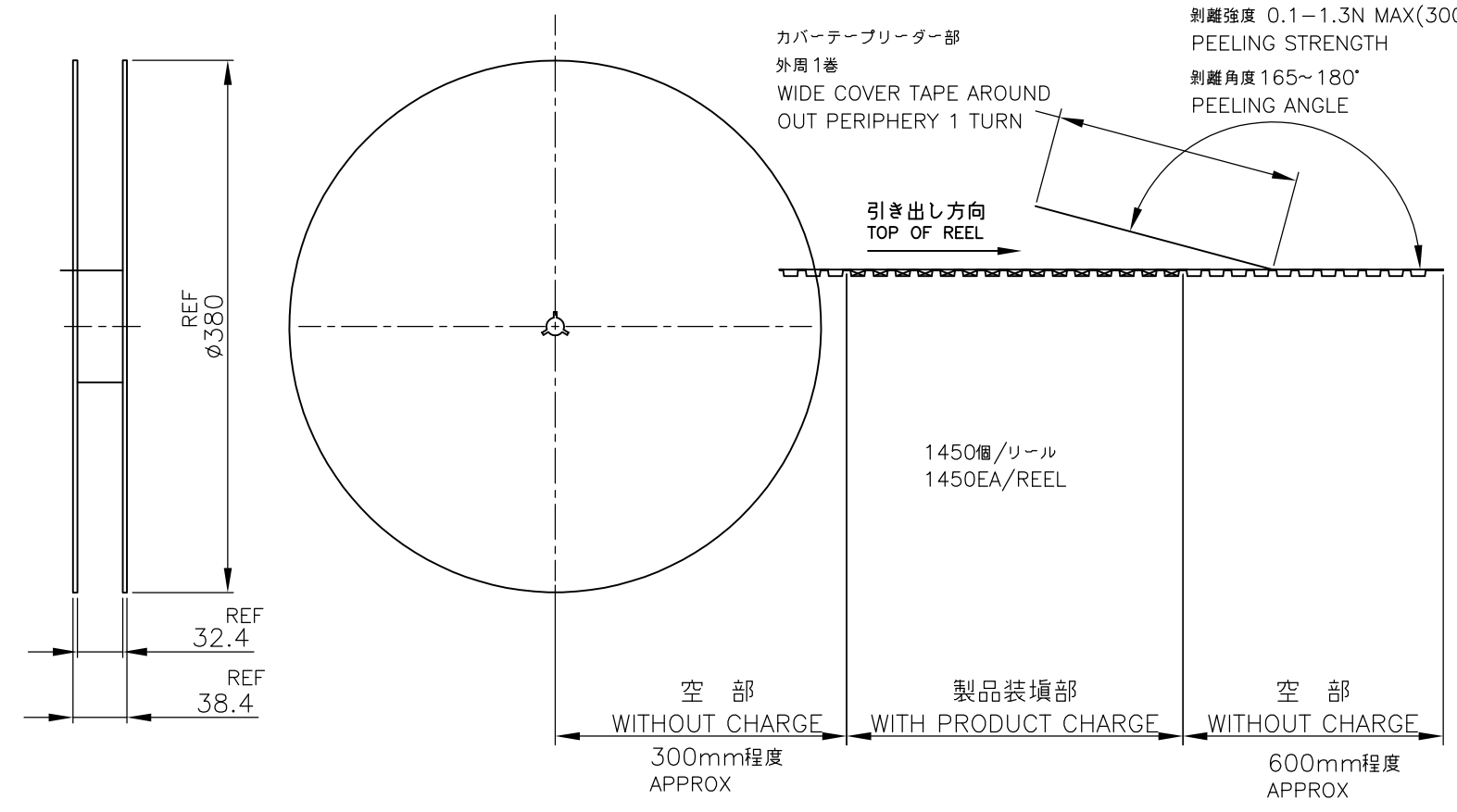
SCALE 3:1



THIS DRAWING IS A CONTROLLED DOCUMENT.		DWN	TE Connectivity				
DIMENSIONS: mm 		CHK				NAME MICRO SIM CONNECTOR PUSH-PUSH SMT TYPE	
TOLERANCES UNLESS OTHERWISE SPECIFIED: 0 PLC ± - 1 PLC ± - 2 PLC ± - 3 PLC ± - 4 PLC ± - ANGLES ± - MATERIAL FINISH		APVD	PRODUCT SPEC	SIZE	CAGE CODE		
		APVD	APPLICATION SPEC	A3	00779	C-2229333	-
		WEIGHT	CUSTOMER DRAWING		SCALE	SHEET	REV
					5:1	4 OF 5	B

THIS DRAWING IS UNPUBLISHED. RELEASED FOR PUBLICATION JUL ,2013.  
 © COPYRIGHT 2013 By Tyco Electronics Japan G.K. ALL RIGHTS RESERVED.

LOC	DIST	REVISIONS			
P	LTR	DESCRIPTION	DATE	DWN	APVD
J	/	SEE SHEET 1	-	-	-



THIS DRAWING IS A CONTROLLED DOCUMENT.		DWN	TE Connectivity MICRO SIM CONNECTOR PUSH-PUSH SMT TYPE		
DIMENSIONS: mm		CHK			
TOLERANCES UNLESS OTHERWISE SPECIFIED:		APVD			
0 PLC ± - 1 PLC ± - 2 PLC ± - 3 PLC ± - 4 PLC ± - ANGLES ± - MATERIAL FINISH ± -		PRODUCT SPEC			
		APVD	NAME		
		PRODUCT SPEC	SIZE		
		APPLICATION SPEC	CAGE CODE		
		WEIGHT	DRAWING NO		
		CUSTOMER DRAWING	RESTRICTED TO		
			A3 00779 C-2229333		
			SCALE	SHEET	REV
			NTS	5 OF 5	B

单击下面可查看定价，库存，交付和生命周期等信息

[>>TE Connectivity\(泰科\)](#)