

4

3

2

1

THIS DRAWING IS UNPUBLISHED.

RELEASED FOR PUBLICATION

20

© COPYRIGHT 20 BY -

ALL RIGHTS RESERVED.

REVISIONS

P	LTR	DESCRIPTION	DATE	DWN	APVD
A		INITIAL RELEASE	09MAR2015	DL	CW
B		ECR-15-014907	14OCT2015	DL	CW
B1		ECR-16-015492	18NOV2016	QY	CW
C		ECR-21-106767	09JUL2021	BS	CW

DETAIL A  
4:1

TYPE-1, T2050102101-000, TE LOGO  
类型-1, T2050102101-000, TE LOGO

NOTES:

1. TECHNICAL CHARACTERISTICS:  
INSULATION MATERIAL: PC  
RATED VOLTAGE: 500 V  
RATED CURRENT: 16 A  
INSULATION RESISTANCE:  $\geq 400M\Omega$   
RATED IMPULSE VOLTAGE: 6 KV  
POLLUTION DEGREE: 3  
FLAMMABILITY: UL94V-0  
MATING CYCLES: 500 CYCLES  
WIRE RANGE: 0.14-4 mm<sup>2</sup> (26-12 AWG)  
CONTACT TYPE: CRIMP CONTACT

2. CONTACT NEED TO BE ORDERED SEPARATELY.  
(ORDER No. T20300X10XX-000)

注释:

1. 技术参数:  
绝缘材料: PC  
额定电压: 500V  
额定电流: 16A  
绝缘电阻:  $\geq 400M\Omega$   
额定脉冲电压: 6 KV  
污染等级: 3  
阻燃等级: UL94V-0  
插拔次数: 500次  
接线范围: 0.14-4 mm<sup>2</sup> (26-12 AWG)  
接线类型: 冷压接

2. 端子需要单独订购.  
(订货号 T20300X10XX-000)

4X M3 SCREW, RECOMMENDED  
TIGHTENING TORQUE 0.5Nm  
4X M3螺丝, 推荐锁紧力矩0.5Nm

DETAIL A  
M4 SCREW, RECOMMENDED  
TIGHTENING TORQUE 1.2Nm  
M4螺丝, 推荐锁紧力矩1.2Nm

PANEL CUT FOR INSERTS FOR USING  
WITHOUT HOODS/ HOUSINGS  
不使用防护外壳时芯件的安装开孔图

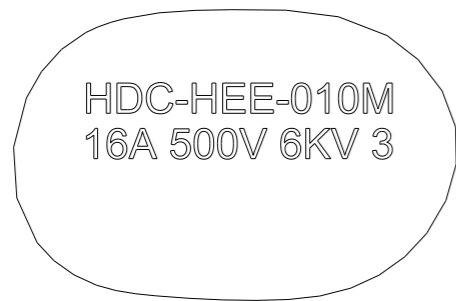
THIS DRAWING IS A CONTROLLED DOCUMENT.		DWN DAVID LI 09MAR2015	TE Connectivity	
		CHK CHRIS WANG 09MAR2015		
		APVD XU XIANG 09MAR2015	NAME HEE-010-M	
DIMENSIONS: mm		PRODUCT SPEC 108-106137	RESTRICTED TO -	
TOLERANCES UNLESS OTHERWISE SPECIFIED:		APPLICATION SPEC 114-106137	SIZE A3	CAGE CODE -
MATERIAL -		WEIGHT -	DRAWING NO. C-T2050102101000	
FINISH -		Customer Drawing	SCALE 1:1	SHEET 1 OF 3
			REV C	

1470-19 (3/13)

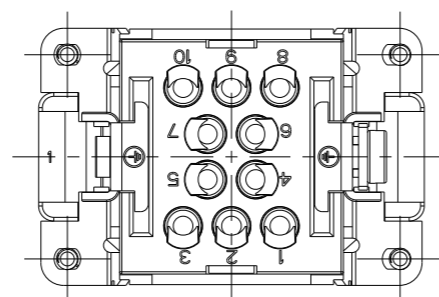
Downloaded From [Onevac.com](http://Onevac.com)

REVISIONS

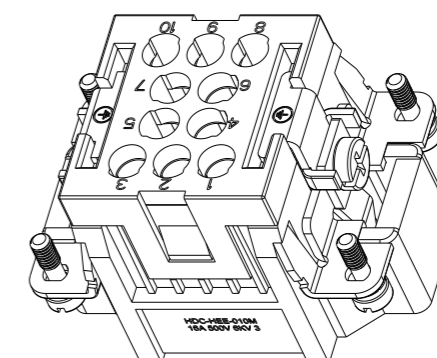
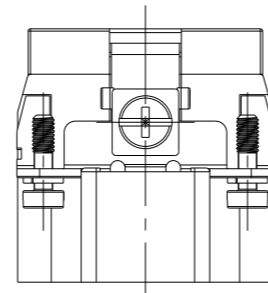
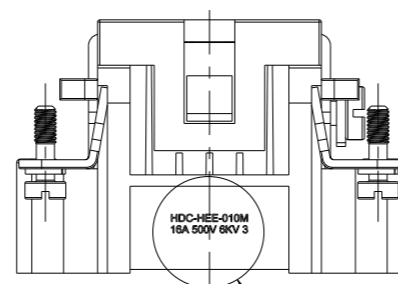
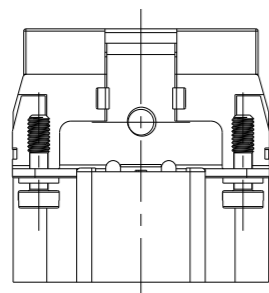
P	LTR	DESCRIPTION	DATE	DWN	APVD
-	-	SEE SHEET 1	-	-	-



DETAIL B  
4:1

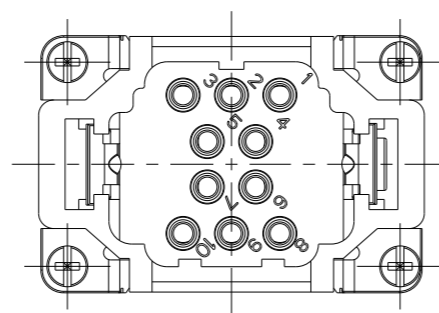


NOTE:  
SEE SHEET 1  
注释:  
见页 1



DETAIL B

TYPE-2, T2059102101-000, NO TE LOGO  
类型-2, T2059102101-000, 无TE LOGO



ALL SPEC DIMENSION REFER TO TYPE I  
所有产品规格尺寸参照 TYPE I

THIS DRAWING IS A CONTROLLED DOCUMENT.		DWN DAVID LI 09MAR2015	<b>TE Connectivity</b>		
DIMENSIONS: mm		CHK CHRIS WANG 09MAR2015			
TOLERANCES UNLESS OTHERWISE SPECIFIED:		APVD XU XIANG 09MAR2015	PRODUCT SPEC 108-106137		RESTRICTED TO -
		APPLICATION SPEC 114-106137	SIZE A3	CAGE CODE -	
MATERIAL -		FINISH -	WEIGHT -	DRAWING NO C-T2050102101000	SCALE 1:1
Customer Drawing			SHEET 2 OF 3	REV C	

4

3

2

1

THIS DRAWING IS UNPUBLISHED.

RELEASED FOR PUBLICATION

20

© COPYRIGHT 20 BY -

ALL RIGHTS RESERVED.

REVISIONS

P	LTR	DESCRIPTION	DATE	DWN	APVD
	-	SEE SHEET 1	-	-	-

NOTES:

SEE SHEET 1

注释:  
见页 1









TYPE-3, T2050102101-001, STAINLESS STEEL SCREW, NO LOGO  
类型-3, T2050102101-001, 不锈钢螺丝, 无LOGO

ALL SPEC DIMENSION REFER TO TYPE 1  
所有产品规格尺寸参照 TYPE 1

T2050102101-001	HEE-010-M	HEE-010 MALE INSERT, STAINLESS STEEL SCREW, NO LOGO HEE-010 公插, 不锈钢螺丝, 无LOGO	TYPE-3 类型-3
T2059102101-000	HEE-010-M	HEE-010 MALE INSERT, NO TE LOGO HEE-010 公插, 无TE LOGO	TYPE-2 类型-2
T2050102101-000	HEE-010-M	HEE-010 MALE INSERT HEE-010 公插	TYPE-1 类型-1
PART NUMBER 料号	PART DESCRIPTION 描述		TYPE 类型

THIS DRAWING IS A CONTROLLED DOCUMENT.		DWN DAVID LI 09MAR2015	 TE Connectivity				
DIMENSIONS: mm		CHK CHRIS WANG 09MAR2015			NAME HEE-010-M		
TOLERANCES UNLESS OTHERWISE SPECIFIED:		APVD XU XIANG 09MAR2015					
		PRODUCT SPEC 108-106137	SIZE A3	CAGE CODE -	DRAWING NO T2050102101000	RESTRICTED TO -	
MATERIAL -		FINISH -	APPLICATION SPEC 114-106137	WEIGHT -	SCALE 1:1	SHEET 3 OF 3	REV C
		Customer Drawing					

1470-19 (3/13)

Downloaded From [Oneyac.com](http://Oneyac.com)

单击下面可查看定价，库存，交付和生命周期等信息

[>>TE Connectivity\(泰科\)](#)