

THIS DRAWING IS UNPUBLISHED.

RELEASED FOR PUBLICATION

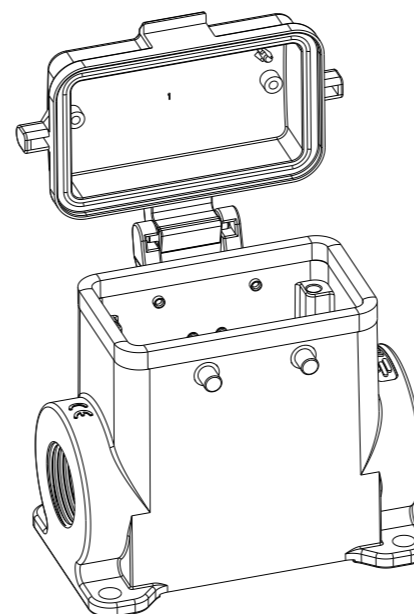
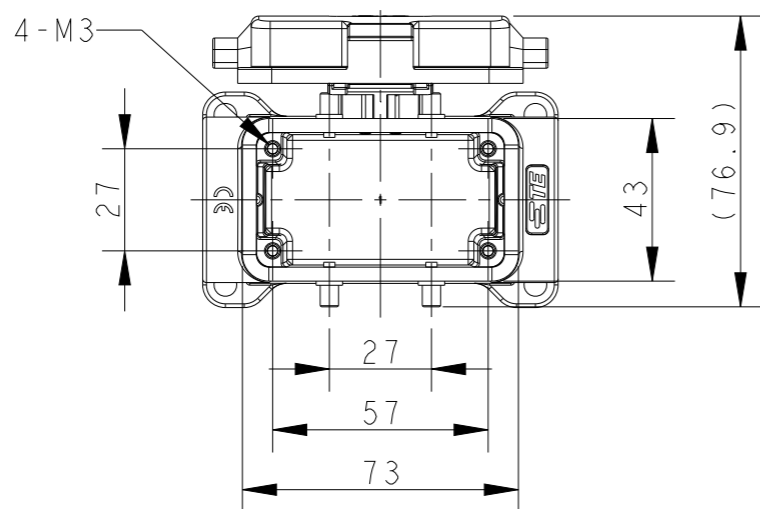
20

© COPYRIGHT 20 BY -

ALL RIGHTS RESERVED.

REVISIONS

P	LTR	DESCRIPTION	DATE	DWN	APVD
	A	INITIAL RELEASE	25JUN2015	DL	CW
	B	ECR-20-008181	13JUL2020	WQR	CW

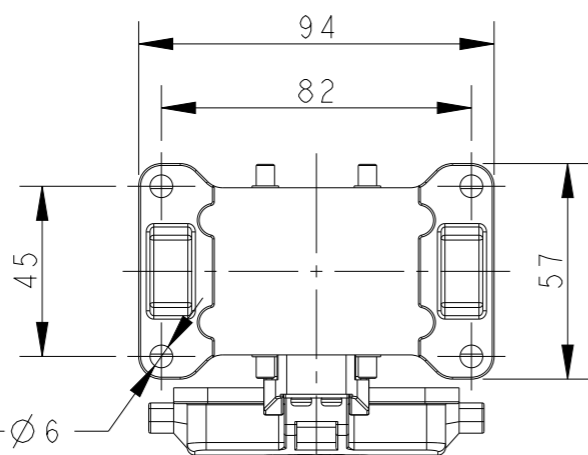
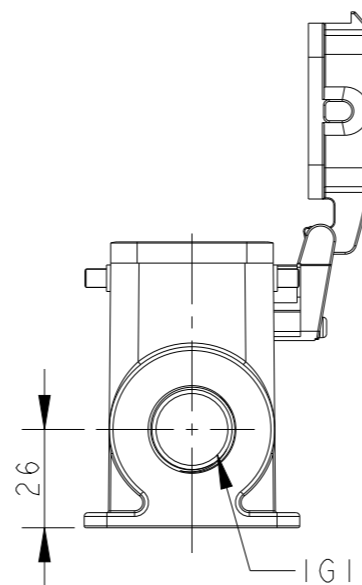
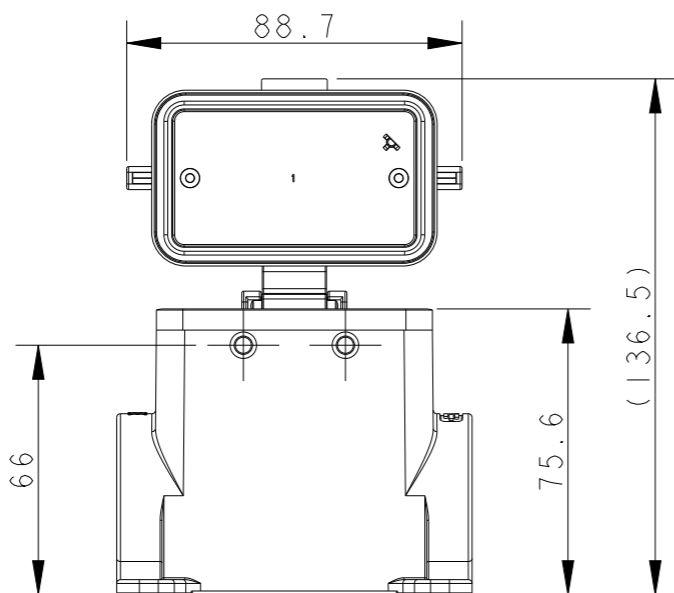
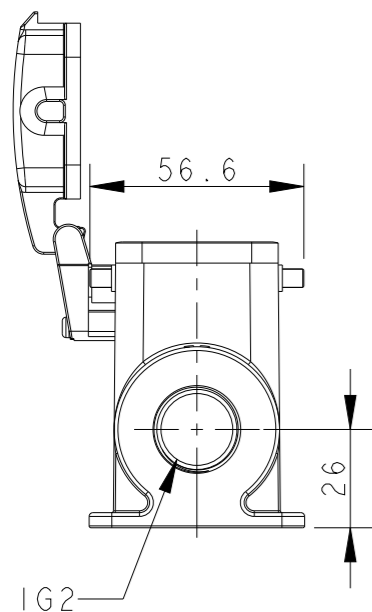


NOTES:

- 1. TECHNICAL CHARACTERISTICS:  
 BODY MATERIAL: DIE CAST ALUMINIUM ALLOY  
 SURFACE TREATMENT: POWDER-COATED, GRAY  
 DEGREE OF PROTECTION: IP65 (MATED)

注释:

- 1. 技术参数:  
 主体材料: 铝合金  
 表面处理: 粉末喷涂, 灰色  
 防护等级: IP65(配合)



TYPE I: HIGH BODY + PLASTIC PROTECTION COVER

TI490100121-000	TYPE I	H10B-SDRH-BO-PG21	PG21	-
TI490100125-000		H10B-SDRH-BO-M25	M25	-
TI490100129-000		H10B-SDRH-BO-PG29	PG29	-
TI490100132-000		H10B-SDRH-BO-M32	M32	-
TI490100221-000		H10B-SDRH-BO-2PG21	PG21	PG21
TI490100229-000		H10B-SDRH-BO-2PG29	PG29	PG29
TI490100232-000		H10B-SDRH-BO-2M32	M32	M32
ASSEMBLY PART NUMBER	TYPE	ASSEMBLY PART DESCRIPTION	IG1	IG2

THIS DRAWING IS A CONTROLLED DOCUMENT.		DWN	25JUN2015	<b>STE</b> TE Connectivity	
DIMENSIONS: mm		DAVID LI	25JUN2015		
TOLERANCES UNLESS OTHERWISE SPECIFIED:		CHK	CHRIS WANG		
0 PLC ±-		APVD	XU XIANG		
1 PLC ±-		PRODUCT SPEC	108-137013	NAME	H10B-SDRH-BO-PG/M
2 PLC ±-		APPLICATION SPEC	114-137013	SIZE	A3
3 PLC ±-		WEIGHT	-	CAGE CODE	-
4 PLC ±-		CUSTOMER DRAWING		DRAWING NO	©-TI49010XXXX000
ANGLES ±-		SCALE	1:2	SHEET	1 OF 2
FINISH -		RESTRICTED TO		REV	B
MATERIAL TBD					

THIS DRAWING IS UNPUBLISHED.

RELEASED FOR PUBLICATION

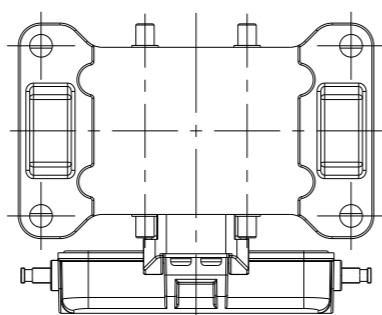
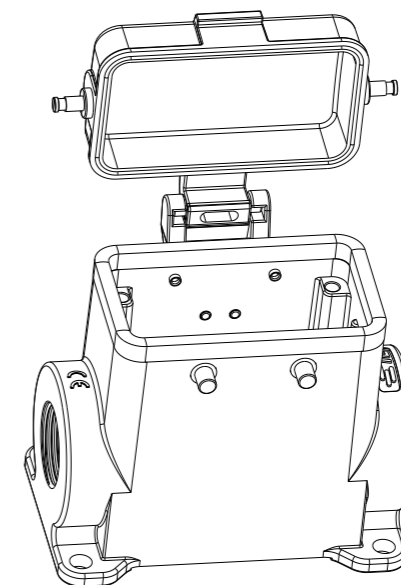
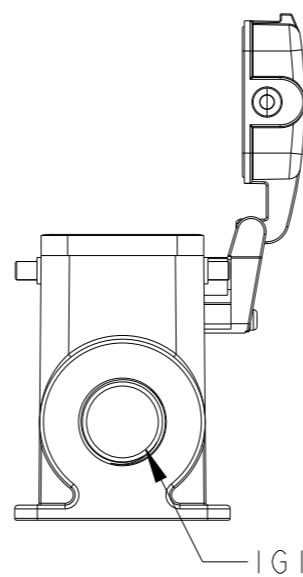
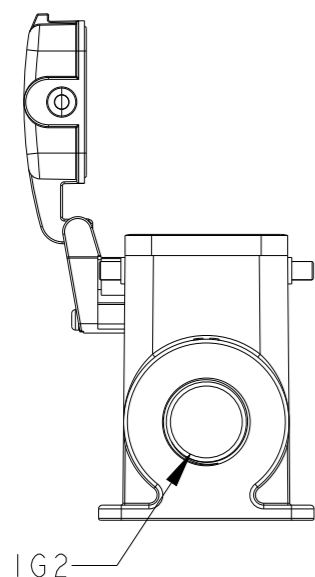
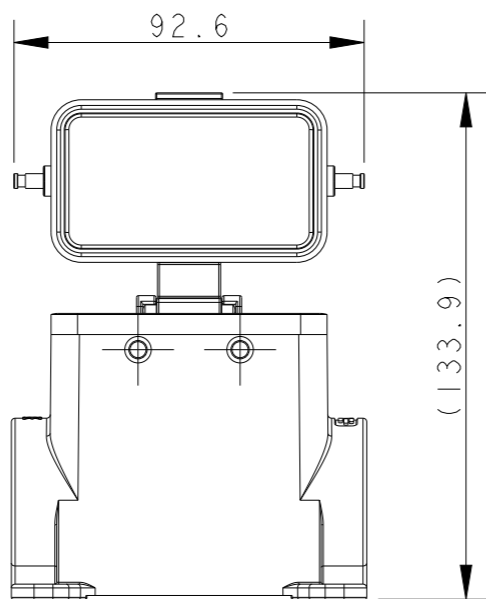
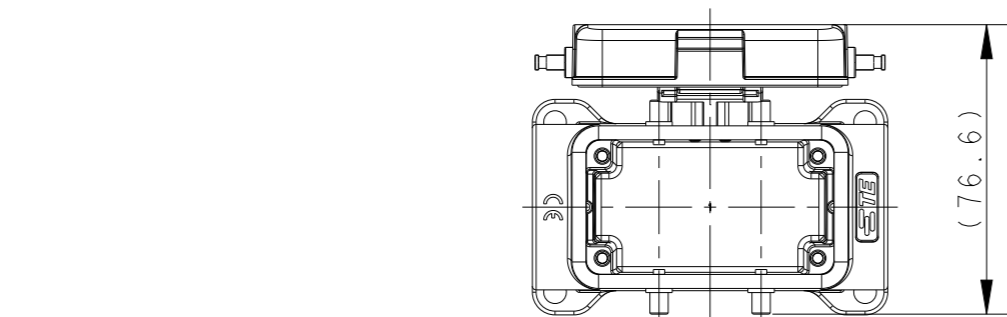
20

© COPYRIGHT 20 BY -

ALL RIGHTS RESERVED.

REVISIONS

P	LTR	DESCRIPTION	DATE	DWN	APVD
	-	SEE SHEET 1	-	-	-



TYPE 2: HIGHT BODY + METAL PROTECTION COVER

OTHER SPEC REFER TO TYPE 1

T1490101121-000	TYPE 2	H10B-SDRMH-BO-PG21	PG21	-
T1490101129-000		H10B-SDRMH-BO-PG29	PG29	-
T1490101132-000		H10B-SDRMH-BO-M32	M32	-
T1490101221-000		H10B-SDRMH-BO-2PG21	PG21	PG21
T1490101229-000		H10B-SDRMH-BO-2PG29	PG29	PG29
T1490101232-000		H10B-SDRMH-BO-2M32	M32	M32
ASSEMBLY PART NUMBER	TYPE	ASSEMBLY PART DESCRIPTION	IG1	IG2

THIS DRAWING IS A CONTROLLED DOCUMENT.

DIMENSIONS:	TOLERANCES UNLESS OTHERWISE SPECIFIED:
mm	
	0 PLC ±-
	1 PLC ±-
	2 PLC ±-
	3 PLC ±-
	4 PLC ±-
	ANGLES ±-
MATERIAL	FINISH
TBD	-
-	-

DWN	DAVID LI	25JUN2015
CHK	CHRIS WANG	25JUN2015
APVD	XU XIANG	25JUN2015
PRODUCT SPEC	108-137013	
APPLICATION SPEC	114-137013	
WEIGHT	-	
CUSTOMER DRAWING		

		TE Connectivity	
		NAME H10B-SDRHM-BO-PG/M	
SIZE	CAGE CODE	DRAWING NO	RESTRICTED TO
A3	-	©-T149010XXXX000	
SCALE 1:2		SHEET 2 OF 2	REV B

单击下面可查看定价，库存，交付和生命周期等信息

[>>TE Connectivity\(泰科\)](#)