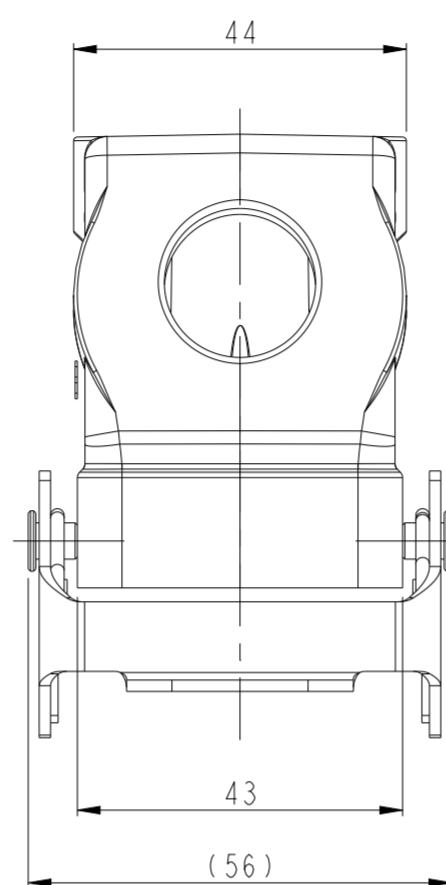
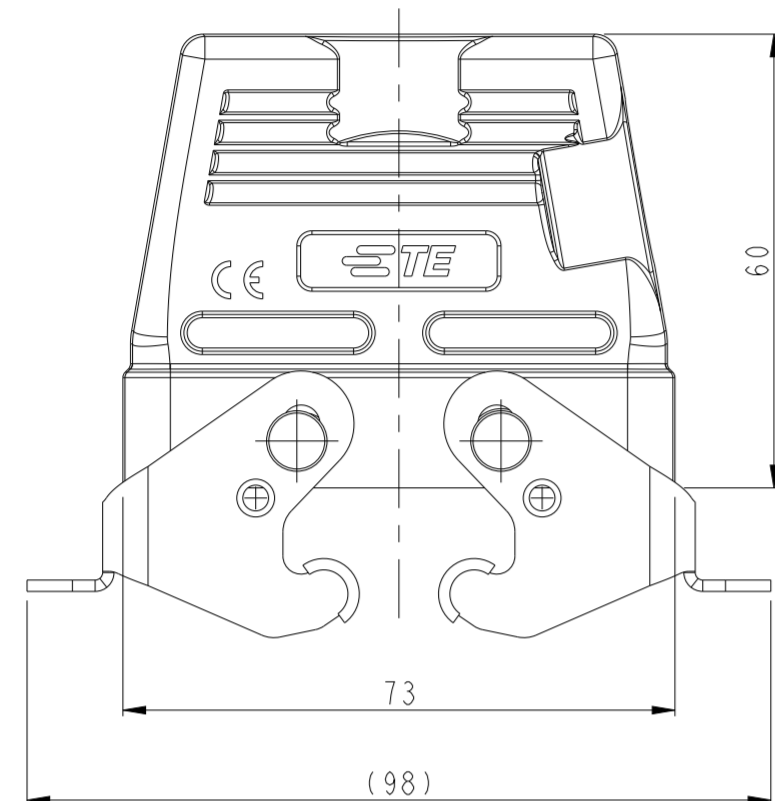


THIS DRAWING IS UNPUBLISHED. RELEASED FOR PUBLICATION 20
 © COPYRIGHT 20 BY - ALL RIGHTS RESERVED.

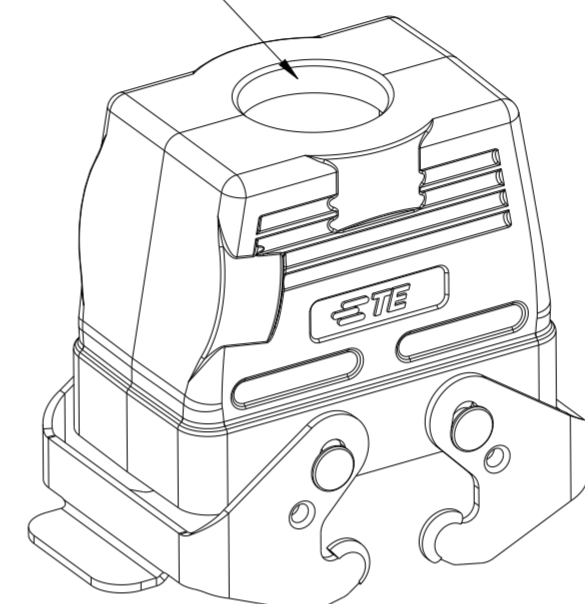
| REVISIONS | | | | |
|-----------|-----|---------------|-----------|--------|
| P | LTR | DESCRIPTION | DATE | APVD |
| A | | INITIAL | 24JUN2015 | DW CW |
| AI | | ECR-17-008664 | 16JUN2017 | CH CW |
| B | | ECR-20-008181 | 30JUN2020 | WOR CW |
| BI | | ECR-21-103925 | 01JUN2021 | WOR CW |

NOTES:
 1. TECHNICAL CHARACTERISTICS:
 HOOD MATERIAL: DIE CAST ALUMINIUM ALLOY
 SURFACE: POWDER COATED, GREY
 DEGREE OF PROTECTION: IP65 (MATED)

注释:
 1. 技术参数:
 上壳材料: 铝合金
 表面处理: 灰色粉末喷涂
 防护等级: IP65(配合)



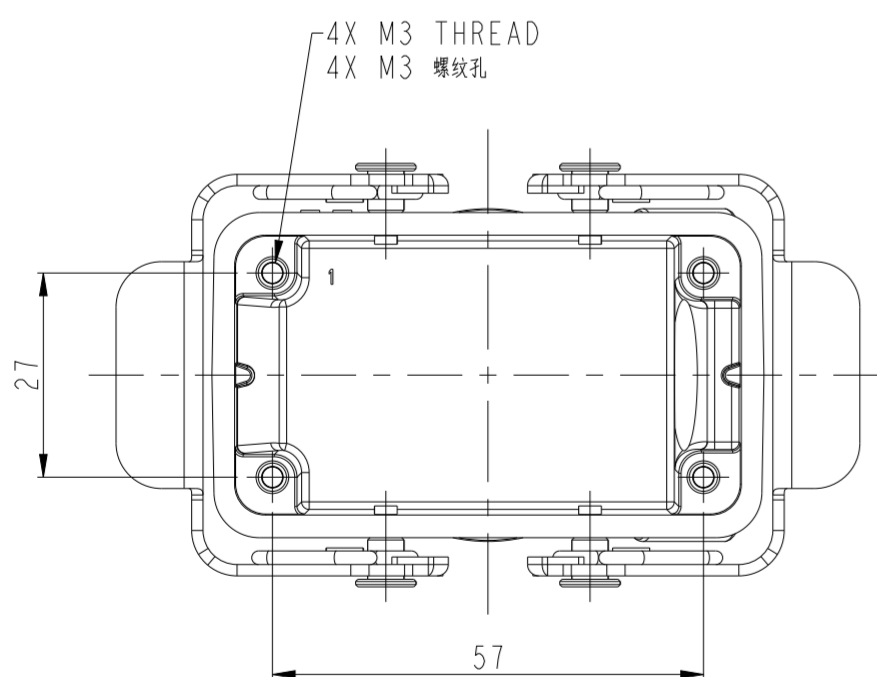
PG/M THREAD 2
PG/M 螺纹孔2



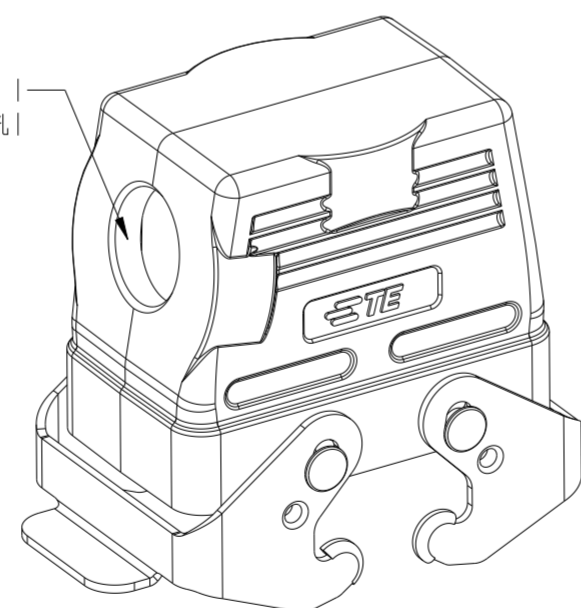
SCALE 4:5

TYPE 2: LOW CONSTRUCTION, TOP ENTRY
 WITH STEEL DOUBLE LOCKING
 OTHER SPEC REFER TO TYPE 1

类型2: 低结构, 顶出, 带彩锌双扣, 其它规格参照类型1



PG/M THREAD 1
PG/M 螺纹孔1



SCALE 4:5

TYPE 1: LOW CONSTRUCTION, SIDE ENTRY
 WITH STEEL DOUBLE LOCKING

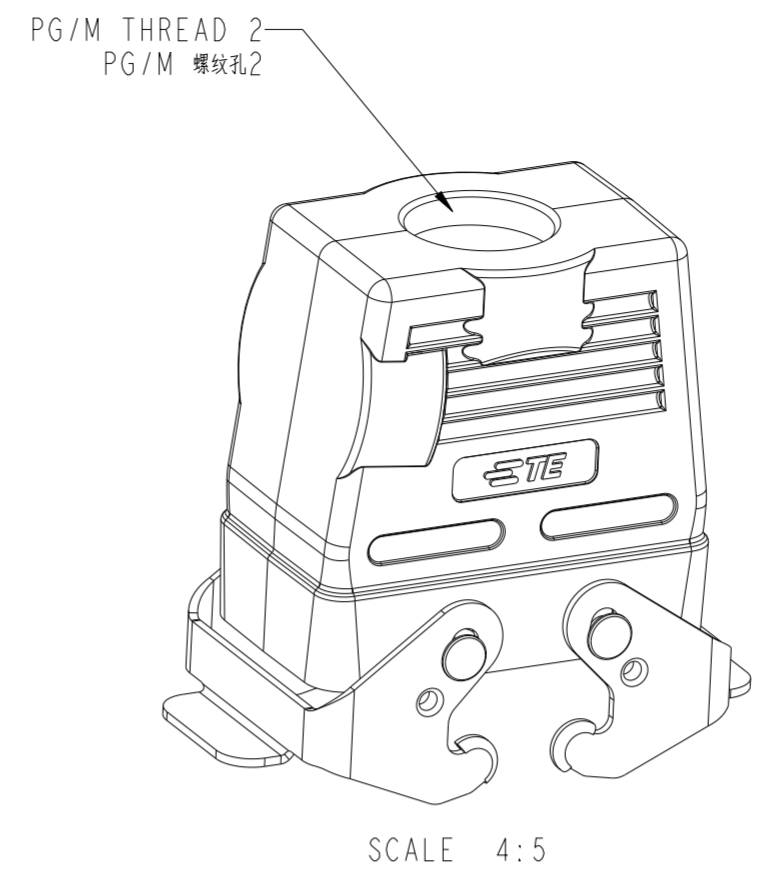
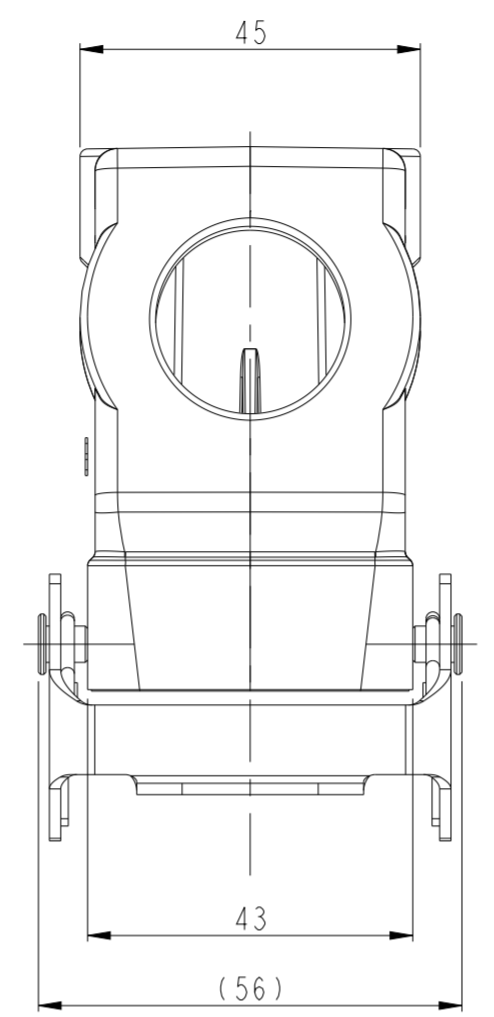
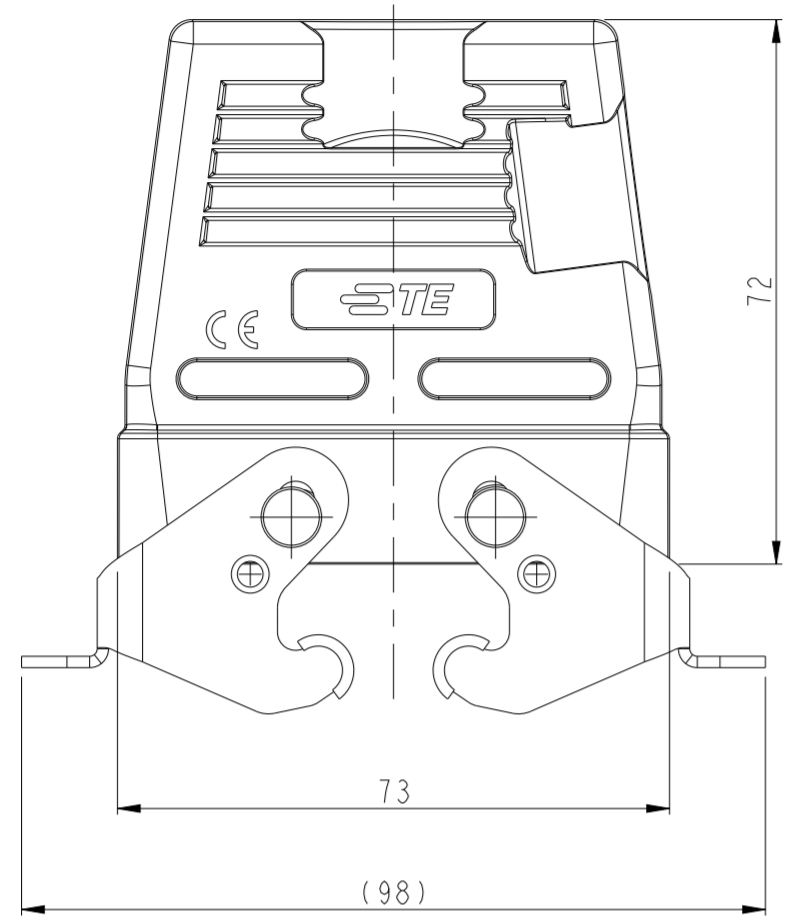
类型1: 低结构, 侧出, 带彩锌双扣

| PART NUMBER 料号 | PART DESCRIPTION 描述 | PG/M THREAD 1 PG/M 螺纹孔1 | PG/M THREAD 2 PG/M 螺纹孔2 | TYPE 类型 |
|-------------------|--|----------------------------|----------------------------|---------------|
| TI260102125-000 | H10B-TGB-M25 H10B HOOD, TOP ENTRY M25, METAL DOUBLE LOCKING, POWDER COATED, GREY H10B上壳, 顶出M25, 彩锌双扣, 灰色粉末喷涂 | - | M25 | TYPE 2 类型2 |
| TI260102121-000 | H10B-TGB-PG21 H10B HOOD, TOP ENTRY PG21, METAL DOUBLE LOCKING, POWDER COATED, GREY H10B上壳, 顶出PG21, 彩锌双扣, 灰色粉末喷涂 | - | PG21 | |
| TI260102120-000 | H10B-TGB-M20 H10B HOOD, TOP ENTRY M20, METAL DOUBLE LOCKING, POWDER COATED, GREY H10B上壳, 顶出M20, 彩锌双扣, 灰色粉末喷涂 | - | M20 | |
| TI260102116-000 | H10B-TGB-PG16 H10B HOOD, TOP ENTRY PG16, METAL DOUBLE LOCKING, POWDER COATED, GREY H10B上壳, 顶出PG16, 彩锌双扣, 灰色粉末喷涂 | - | PG16 | TYPE 1 类型1 |
| TI250102125-000 | H10B-TSB-M25 H10B HOOD, SIDE ENTRY M25, METAL DOUBLE LOCKING, POWDER COATED, GREY H10B上壳, 侧出M25, 彩锌双扣, 灰色粉末喷涂 | M25 | - | |
| TI250102120-000 | H10B-TSB-M20 H10B HOOD, SIDE ENTRY M20, METAL DOUBLE LOCKING, POWDER COATED, GREY H10B上壳, 侧出M20, 彩锌双扣, 灰色粉末喷涂 | M20 | - | |
| TI250102116-000 | H10B-TSB-PG16 H10B HOOD, SIDE ENTRY PG16, METAL DOUBLE LOCKING, POWDER COATED, GREY H10B上壳, 侧出PG16, 彩锌双扣, 灰色粉末喷涂 | PG16 | - | |

| | | | | |
|--|--|-------------------------------|----------------------------------|-----------------|
| THIS DRAWING IS A CONTROLLED DOCUMENT. | | DWN DAVID.WANG 24JUN2015 | TE Connectivity | |
| | | CHK CHRIS.WANG 24JUN2015 | | |
| DIMENSIONS: mm | | APVD XIANG.XU 24JUN2015 | NAME H10B-TSB/TGB/TSBH/TGBH-M/PG | |
| TOLERANCES UNLESS OTHERWISE SPECIFIED: | | PRODUCT SPEC 108-137013 | RESTRICTED TO | |
| 0 PLC ± | | APPLICATION SPEC 114-137013 | SIZE A2 | CAGE CODE 00779 |
| 1 PLC ± | | WEIGHT - | DRAWING NO C-T12X01021XX000 | |
| 2 PLC ± | | SCALE 1:1 SHEET 1 OF 2 REV BI | | |
| 3 PLC ± | | Customer Drawing | | |
| 4 PLC ± | | | | |
| ANGLES ± | | | | |
| FINISH - | | | | |

THIS DRAWING IS UNPUBLISHED. RELEASED FOR PUBLICATION 20
 © COPYRIGHT 20 BY - ALL RIGHTS RESERVED.

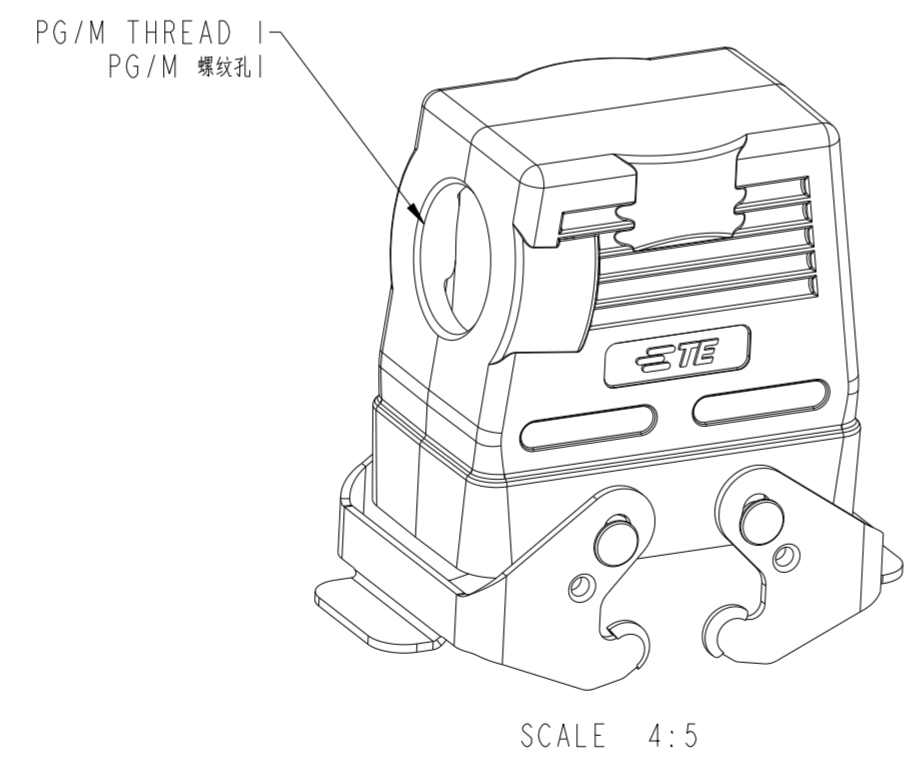
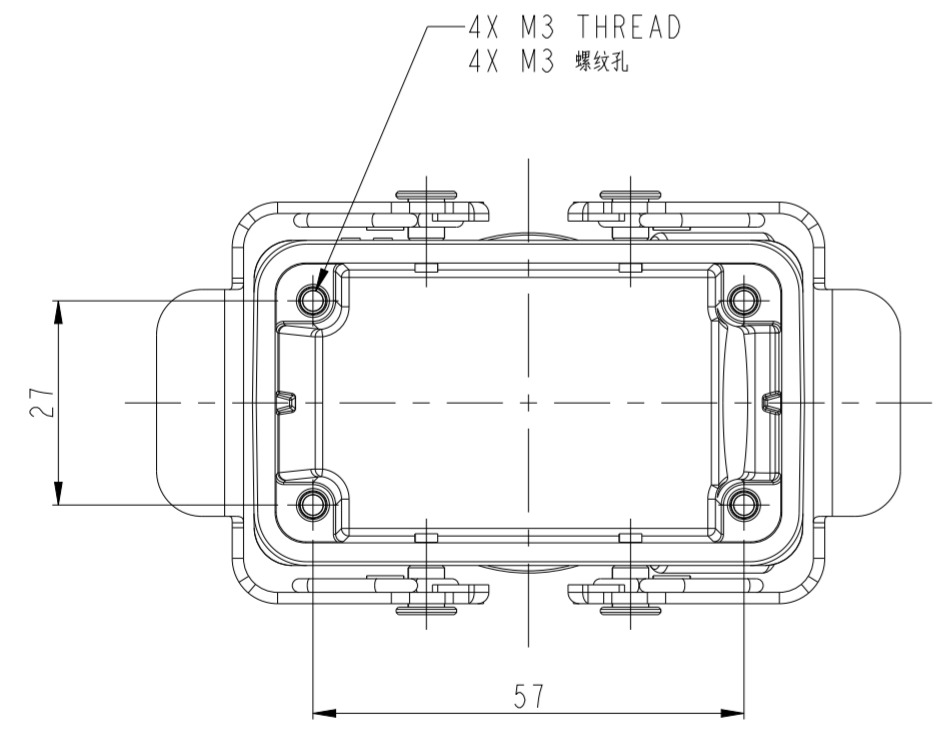
| REVISIONS | | | | |
|-----------|-----|-------------|------|------|
| P | LTR | DESCRIPTION | DATE | APVD |
| - | - | SEE SHEET 1 | - | - |
| | | | | |
| | | | | |



NOTES:
SEE SHEET 1

SCALE 4:5
 TYPE 4: HIGH CONSTRUCTION, TOP ENTRY WITH STEEL DOUBLE LOCKING
 OTHER SPEC REFER TO TYPE 3
 类型4: 高结构, 顶出, 带彩锌双扣, 其它规格参照类型3

| PART NUMBER | 料号 | PART DESCRIPTION | 描述 | PG/M THREAD 1 | PG/M 螺纹孔1 | PG/M THREAD 2 | PG/M 螺纹孔2 | TYPE | 类型 |
|-----------------|----------------|--|-----------------------------------|---------------|-----------|---------------|-----------|--------|-----|
| T1280102132-000 | H10B-TGBH-M32 | H10B HOOD, TOP ENTRY M32, METAL DOUBLE LOCKING, HIGH CONSTRUCTION, POWDER COATED, GREY | H10B上壳, 顶出M32, 彩锌双扣, 高结构, 灰色粉末喷涂 | - | - | M32 | - | TYPE 4 | 类型4 |
| T1280102129-000 | H10B-TGBH-PG29 | H10B HOOD, TOP ENTRY PG29, METAL DOUBLE LOCKING, HIGH CONSTRUCTION, POWDER COATED, GREY | H10B上壳, 顶出PG29, 彩锌双扣, 高结构, 灰色粉末喷涂 | - | - | PG29 | - | | |
| T1280102125-000 | H10B-TGBH-M25 | H10B HOOD, TOP ENTRY M25, METAL DOUBLE LOCKING, HIGH CONSTRUCTION, POWDER COATED, GREY | H10B上壳, 顶出M25, 彩锌双扣, 高结构, 灰色粉末喷涂 | - | - | M25 | - | | |
| T1280102121-000 | H10B-TGBH-PG21 | H10B HOOD, TOP ENTRY PG21, METAL DOUBLE LOCKING, HIGH CONSTRUCTION, POWDER COATED, GREY | H10B上壳, 顶出PG21, 彩锌双扣, 高结构, 灰色粉末喷涂 | - | - | PG21 | - | | |
| T1270102140-000 | H10B-TSBH-M40 | H10B HOOD, SIDE ENTRY M40, METAL DOUBLE LOCKING, HIGH CONSTRUCTION, POWDER COATED, GREY | H10B上壳, 侧出M40, 彩锌双扣, 高结构, 灰色粉末喷涂 | M40 | - | - | - | TYPE 3 | 类型3 |
| T1270102132-000 | H10B-TSBH-M32 | H10B HOOD, SIDE ENTRY M32, METAL DOUBLE LOCKING, HIGH CONSTRUCTION, POWDER COATED, GREY | H10B上壳, 侧出M32, 彩锌双扣, 高结构, 灰色粉末喷涂 | M32 | - | - | - | | |
| T1270102129-000 | H10B-TSBH-PG29 | H10B HOOD, SIDE ENTRY PG29, METAL DOUBLE LOCKING, HIGH CONSTRUCTION, POWDER COATED, GREY | H10B上壳, 侧出PG29, 彩锌双扣, 高结构, 灰色粉末喷涂 | PG29 | - | - | - | | |
| T1270102125-000 | H10B-TSBH-M25 | H10B HOOD, SIDE ENTRY M25, METAL DOUBLE LOCKING, HIGH CONSTRUCTION, POWDER COATED, GREY | H10B上壳, 侧出M25, 彩锌双扣, 高结构, 灰色粉末喷涂 | M25 | - | - | - | | |
| T1270102121-000 | H10B-TSBH-PG21 | H10B HOOD, SIDE ENTRY PG21, METAL DOUBLE LOCKING, HIGH CONSTRUCTION, POWDER COATED, GREY | H10B上壳, 侧出PG21, 彩锌双扣, 高结构, 灰色粉末喷涂 | PG21 | - | - | - | - | - |



TYPE 3: HIGH CONSTRUCTION, SIDE ENTRY WITH STEEL DOUBLE LOCKING
 类型3: 高结构, 侧出, 带彩锌双扣

SCALE 4:5

THIS DRAWING IS A CONTROLLED DOCUMENT.

DAVID.WANG 24JUN2015
 CHRIS.WANG 24JUN2015
 XIANG.XU 24JUN2015

STE TE Connectivity

NAME: H10B-TSB/TGB/TSBH/TGBH-M/PG

PRODUCT SPEC: 108-137013
 APPLICATION SPEC: 114-137013

SIZE: A2 CAGE CODE: 00779 DRAWING NO: C-T12X01021XX000 RESTRICTED TO: -

Customer Drawing SCALE: 1:1 SHEET: 2 OF 2 REV: B1

单击下面可查看定价，库存，交付和生命周期等信息

[>>TE Connectivity\(泰科\)](#)